

THE INFORMATION CONTAINED HEREIN IS CONSIDERED "PROPRIETARY" TO BEL FUSE INC. AND SHALL NOT BE COPIED, REPRODUCED OR DISCLOSED WITHOUT THE WRITTEN APPROVAL OF BEL FUSE INC.

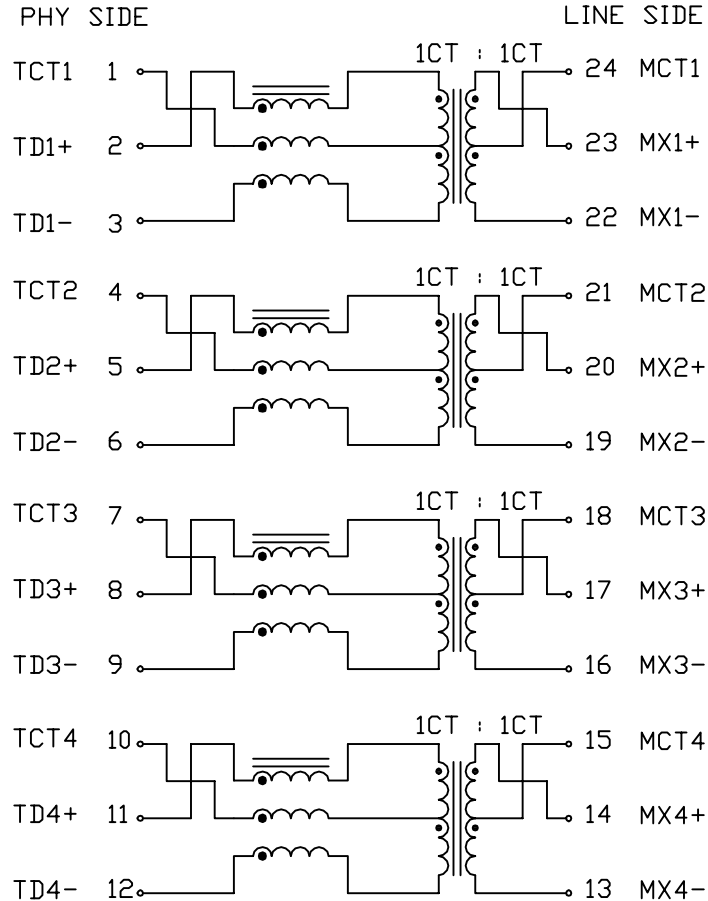
PRELIMINARY

RoHS



ELECTRICAL CHARACTERISTICS @25°C

SCHMATIC



TURNS RATIO

(2-1-3) : (23-24-22)
 (5-4-6) : (20-21-19)
 (8-7-9) : (17-18-16)
 (11-10-12) : (14-15-13)

1CT : 1CT ±2%
 1CT : 1CT ±2%
 1CT : 1CT ±2%
 1CT : 1CT ±2%

POLARITY

PER DOT CONVENTION

DCL

-40°C TO 85°C
 -40°C TO 85°C

100kHz, 100mV

180uH MIN WITH 8mA DC BIAS
 120uH MIN WITH 19mA DC BIAS

RETURN LOSS

1MHz-100MHz
 100MHz-300MHz

-20 dB MIN
 -20+16LOG<F/100MHZ> dB MIN

HIPOT (Isolation Voltage):

2250 VDC

100% OF PRODUCTION TESTED TO COMPLY WITH
 IEEE 802.3 ISOLATION REQUIREMENTS.

NOTE: PORT-TO-PORT ISOLATION NOT INCLUDED .

BALANCED DC LINE CURRENT

720 mA MAX. @ 57 VDC CONTINUOUS
 1.2A MAX. @ 57 VDC FOR 200 MILLISECONDS

OPERATING TEMPERATURE: -40°C TO +85°C.

REV. : PA PAGE : 2

ORIGINATED BY	DATE
Alice Pang	2016-10-28
DRAWN BY	DATE
ZC Guo	2016-10-28

TITLE
ELECTRICAL SPECIFICATION

PART NO. / DRAWING NO.
S558-5500-JV
FILE NAME
S5585500JVPA.DWG

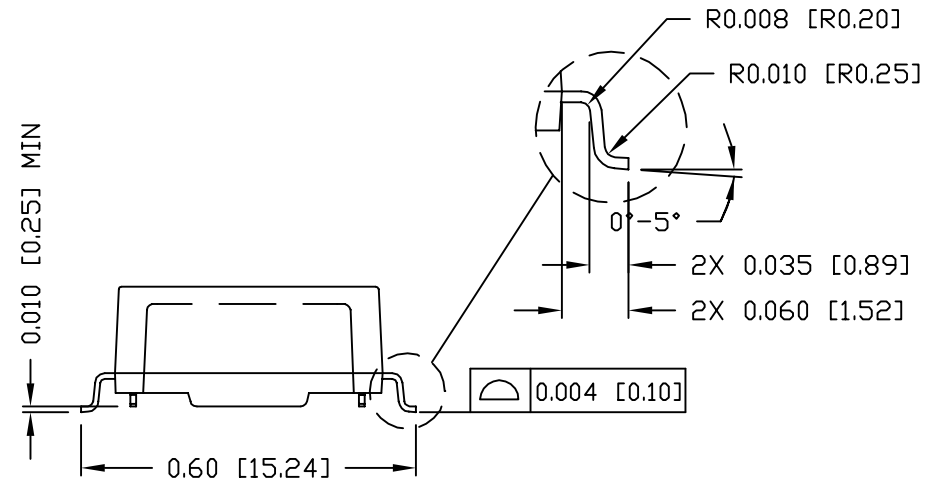
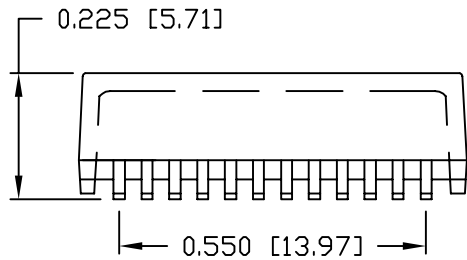
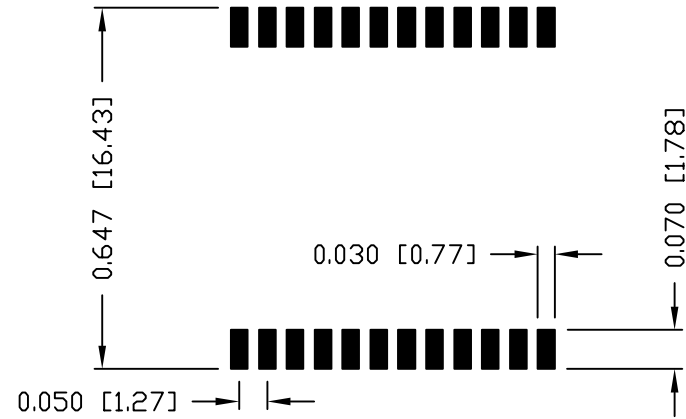
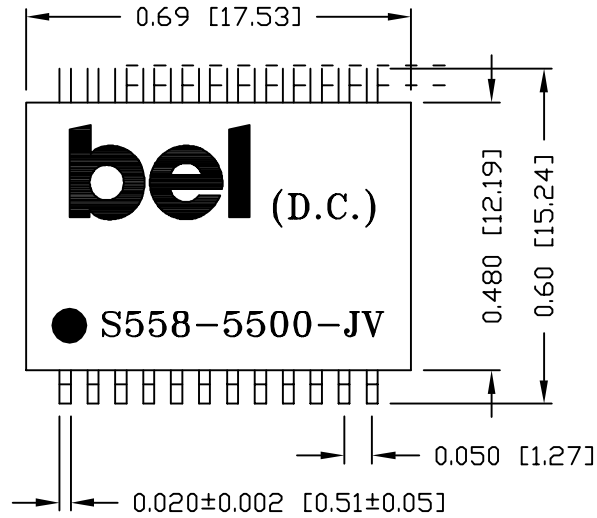
STANDARD DIM.	[] METRIC DIM. AS REF.
TOL. IN INCH	UNIT : INCH [mm]
.X	SCALE : N/A
.XX	SIZE : A4
.XXX	



THE INFORMATION CONTAINED HEREIN IS CONSIDERED "PROPRIETARY" TO BEL FUSE INC. AND SHALL NOT BE COPIED, REPRODUCED OR DISCLOSED WITHOUT THE WRITTEN APPROVAL OF BEL FUSE INC.

PRELIMINARY

SUGGESTED PCB PAD LAYOUT



NOTES:

- STANDARD MARKING REFER TO DDC, HAND-WORK-04.
- PACKAGE CODE: "RQS001".

ORIGINATED BY	DATE	TITLE
Lawrence Tsang	2016-10-28	MECHANICAL OUTLINE
DRAWN BY	DATE	
ZC Guo	2016-10-28	

PART NO. / DRAWING NO.	STANDARD DIM.	[] METRIC DIM. AS REF.
S558-5500-JV	TOL. IN INCH	UNIT : INCH [mm]
FILE NAME	.X	SCALE : N/A
S5585500JVPA.DWG	.XX ±0.01	SIZE : A4
	.XXX ±0.005	

REV. : PA	PAGE : 3
<p>POWER PROTECT CONNECT</p>	