







FEMALE (70430) & MALE (70431 / 70456) FLEX-C-TERM SYSTEM

F.F.C. Female Single Row Connector	F.F.C. Male Single Row Connector
	
Series: 70430	Series: 70431

SL Single Row, Female, Version A Receptacle	SL Single Row, Female, Version C Receptacle
	
Series: 70430	Series: 70430

SL Single Row, Female, Version D Receptacle	SL Single Row, Female, Version G Receptacle
	
Series: 70430	Series: 70430

[SL Modular Connectors Web Page](#)



TABLE OF CONTENTS

REVISION: F2	ECR/ECN INFORMATION: EC No: 617958 DATE: 2019/05/27	TITLE: ASSEMBLY CONNECTOR F.F.C. SINGLE ROW (2.54)/.100 GRID: FAMILY INDEX	SHEET No. 1 of 13
DOCUMENT NUMBER: PS-70430	CREATED / REVISED BY: GJEEVANSURES	CHECKED BY: GJEEVANSURES	APPROVED BY: ISHWARG

TABLE OF CONTENTS

1.0	SCOPE	<u>3</u>
2.0	PRODUCT DESCRIPTION	<u>3</u>
2.1	Product Name and Series Numbers	<u>3</u>
2.2	Dimensions, Materials, Plating and Markings	<u>3</u>
2.2.1	Female Assembly Process, Type of Cables	<u>6</u>
2.2.2	Male Assembly Process, Type of Cables, Termination	<u>6</u>
2.3	Safety Agency Approvals	<u>8</u>
3.0	APPLICABLE DOCUMENTS AND SPECIFICATIONS	<u>9</u>
3.1	Molex Documents	<u>9</u>
3.2	Industry Documents	<u>9</u>
4.0	ELECTRICAL PERFORMANCE RATINGS	<u>9</u>
4.1	Voltage	<u>9</u>
4.2	Maximum Current Rating with Applicable Wires	<u>9</u>
4.3	Temperature	<u>9</u>
4.4	Durability	<u>9</u>
5.0	QUALIFICATION	<u>10</u>
6.0	PERFORMANCE	<u>10</u>
6.1	Electrical Performance	<u>10</u>
6.2	Mechanical Performance	<u>11</u>
6.3	Environmental Performance	<u>12</u>
7.0	PACKAGING	<u>12</u>
8.0	POLARIZATION AND KEYING OPTIONS	<u>13</u>

[SL Modular Connectors Web Page](#)



TABLE OF CONTENTS

REVISION: F2	ECR/ECN INFORMATION: EC No: 617958 DATE: 2019/05/27	TITLE: ASSEMBLY CONNECTOR F.F.C. SINGLE ROW (2.54)/.100 GRID: FAMILY INDEX	SHEET No. 2 of 13
DOCUMENT NUMBER: PS-70430	CREATED / REVISED BY: GJEEVANSURES	CHECKED BY: GJEEVANSURES	APPROVED BY: ISHWARG

1.0 SCOPE

This Product Specification covers the single row (2.54)/.100 centerline flat flexible cable connector 70430 series with female terminals and 70431 / 70456 series with male terminals.

2.0 PRODUCT DESCRIPTION

2.1 PRODUCT NAME AND SERIES NUMBER (S)

Description	Series Number
F.F.C. Female Single Row Connector	70430
F.F.C. Male Single Row Connector	70431
F.F.C. Male Single Row Connector with Voids	70456

2.2 DIMENSIONS, MATERIALS, PLATING AND MARKINGS

2.2.1 Female series 70430

2.2.1.1 This product will mate with (5.08-8.13)/.200-.320 long (0.64).025 square or round pins arranged on the same (2.54)/.100 grid. This product is stackable "side to side" on (2.54)/.100 centers.

2.2.1.2 Plastic insulator housing is manufactured from black Glass Filled polyester material with U.L. 94V-0 rating.

2.2.1.3 The terminal (40391-****) is manufactured from phosphor bronze alloy.

2.2.1.3.1 See Sales Drawing(s) for platings

2.2.2 Male Series 70431 / 70456

2.2.2.1 Product is a single row product on .100/ (2.54) centers and is available in 4-25 circuits.

2.2.2.2 Connector assembly is supplied with 70153-**** male terminal, preloaded in a plastic insulator housing (70030-****).

2.2.2.3 Connector assemblies will mate with various .100/ (2.54) center female products and 70018, 70022, and 70104 panel mount housings.

2.2.2.4 Plastic insulator housing is manufactured from black Glass Filled polyester material with U.L. 94V-0 rating.

[SL Modular Connectors Web Page](#)



TABLE OF CONTENTS

REVISION: F2	ECR/ECN INFORMATION: EC No: 617958 DATE: 2019/05/27	TITLE: ASSEMBLY CONNECTOR F.F.C. SINGLE ROW (2.54)/.100 GRID: FAMILY INDEX	SHEET No. 3 of 13
DOCUMENT NUMBER: PS-70430	CREATED / REVISED BY: GJEEVANSURES	CHECKED BY: GJEEVANSURES	APPROVED BY: ISHWARG

2.2.2.5 The terminal (70153-****) is manufactured from phosphor bronze alloy.

2.2.2.5.1 See Sales Drawing(s) for platings

2.2.3 The opposite end of the terminal has three piercing points configured for .014/ (0.36) maximum thick

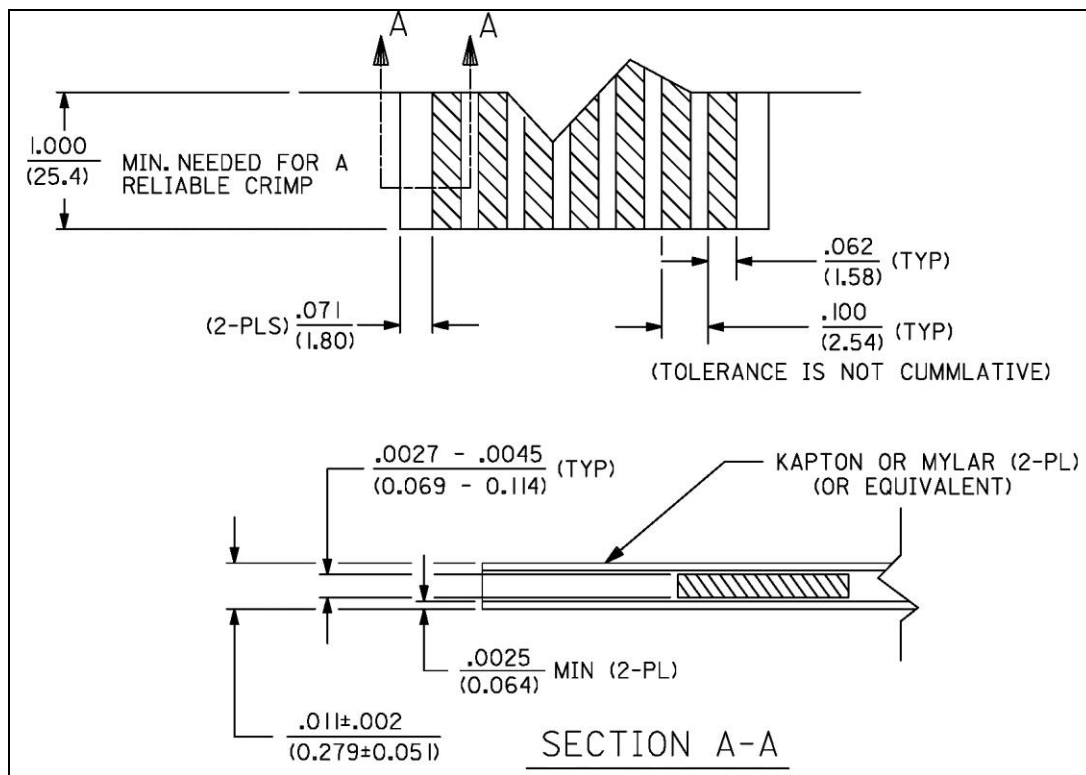
Flat flex circuit or cable

2.2.4 Flat Flex Cable

The cable, not supplied by Molex, is an important integral part of this interconnection system. Its process and component materials must be controlled. The cable design along with this interconnection must be tested in the application for which it is intended.

2.2.4.1 Flat Flex Cable with Copper Conductors

The adhesive used in this type of cable must be compatible with the environment in which it is used. Failure of the adhesive by softening or cohesive or adhesive failure can cause failure in the electrical connection.



[SL Modular Connectors Web Page](#)



TABLE OF CONTENTS

REVISION: F2	ECR/ECN INFORMATION: EC No: 617958 DATE: 2019/05/27	TITLE: ASSEMBLY CONNECTOR F.F.C. SINGLE ROW (2.54)/.100 GRID: FAMILY INDEX	SHEET No. 4 of 13
DOCUMENT NUMBER: PS-70430	CREATED / REVISED BY: GJEEVANSURES	CHECKED BY: GJEEVANSURES	APPROVED BY: ISHWARG

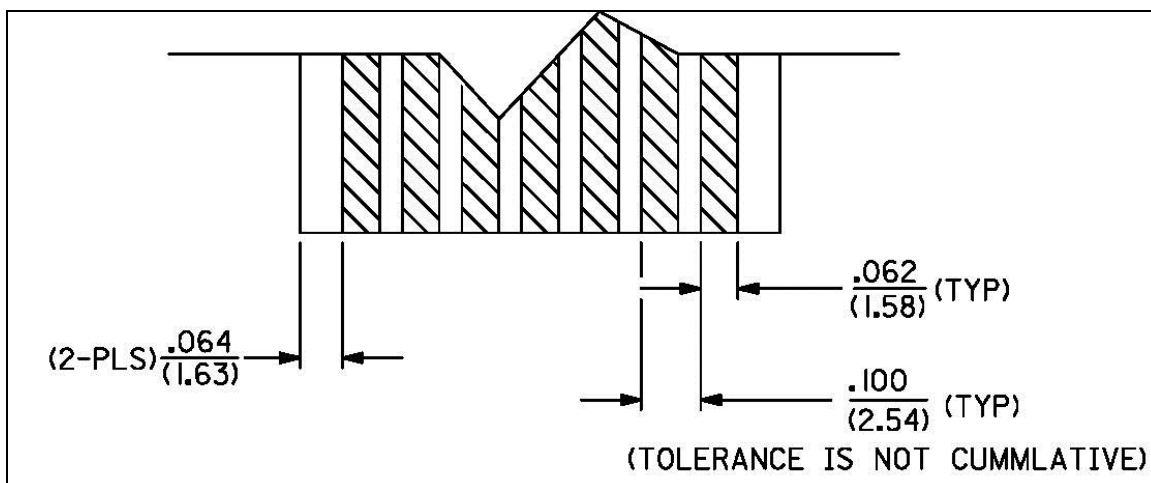
2.2.4.1.1 Cable length required to successfully terminate assemblies in Molex equipment is 1.00/ (25.4) minimum.

2.2.4.1.2 Cable width required to successfully terminate assemblies in Molex equipment is .071/ (1.80) each end.

2.2.4.1.3 If customer deviates from .071/ (1.80) width or the 1.00/ (25.4) overall length needed for space constraints (such as interim clip or system related constraints), the customer will need to test their design to ensure that the adhesive supplied by the flex-circuit vendor does not delaminate and cause failure in the flex circuit.

2.2.4.2 Flat Flex Cable with Silver Ink Conductors

Polyester substrate to be (0.127-0.279)/.005-.011 thick Mylar or type “s” Melinax or equivalent. The ink to be Amicon c-229-1 (60% silver) or equivalent.



2.2.4.2.1 Cable length required to successfully terminate assemblies in Molex equipment is 1.00/ (25.4) minimum.

2.2.4.2.2 Cable width required to successfully terminate assemblies in Molex equipment is .064/ (1.63) each end.

2.2.4.2.3 If customer deviates from .064/ (1.63) width or the 1.00/ (25.4) overall length needed for space constraints (such as interim clip or system related constraints), the customer will need to test their design to ensure that the adhesive supplied by the flex-circuit vendor does not delaminate and cause failure in the flex circuit.

[SL Modular Connectors Web Page](#)

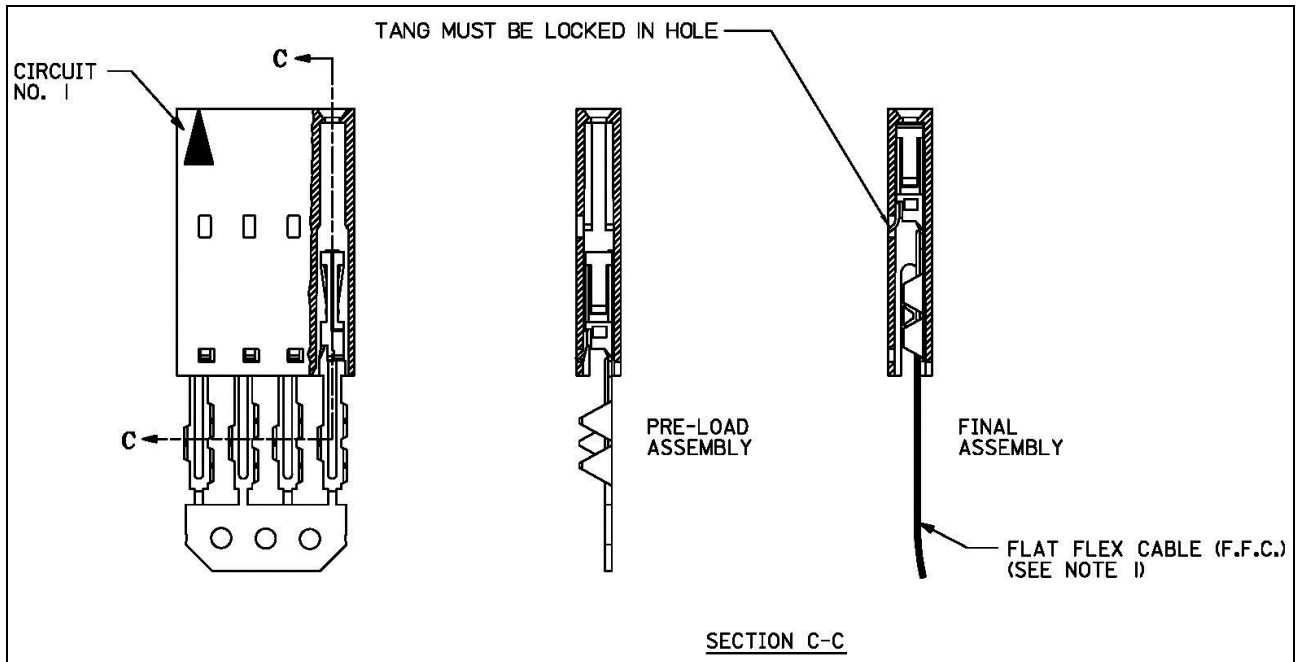


TABLE OF CONTENTS

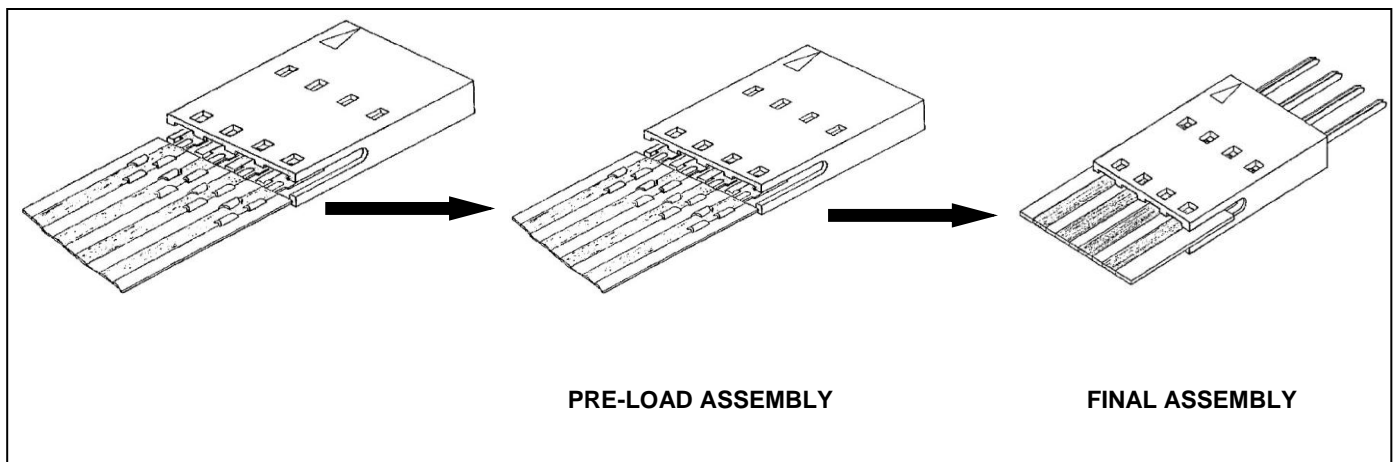
REVISION: F2	ECR/ECN INFORMATION: EC No: 617958 DATE: 2019/05/27	TITLE: ASSEMBLY CONNECTOR F.F.C. SINGLE ROW (2.54)/.100 GRID: FAMILY INDEX	SHEET No. 5 of 13
DOCUMENT NUMBER: PS-70430	CREATED / REVISED BY: GJEEVANSURES	CHECKED BY: GJEEVANSURES	APPROVED BY: ISHWARG

2.2.5 Connector Assembly

2.2.5.1 Female series 70430



2.2.5.2 Male Series 70431 / 70456



[SL Modular Connectors Web Page](#)

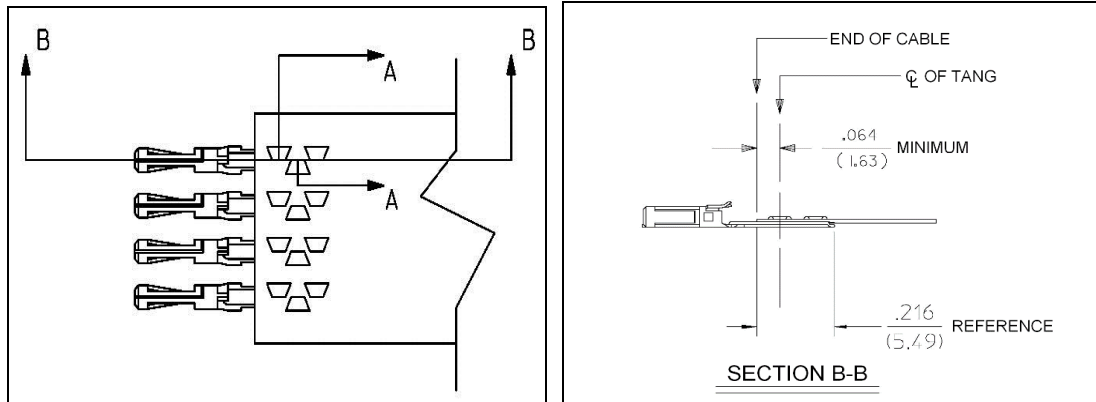


TABLE OF CONTENTS

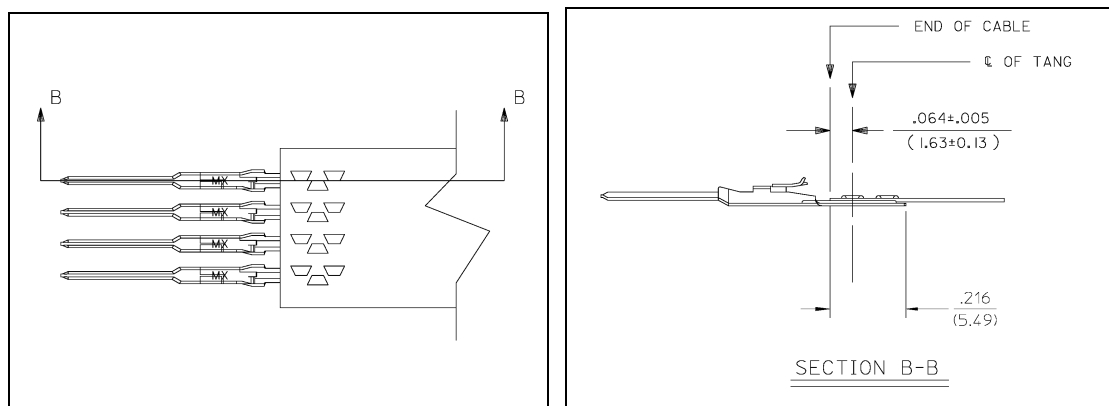
REVISION: F2	ECR/ECN INFORMATION: EC No: 617958 DATE: 2019/05/27	TITLE: ASSEMBLY CONNECTOR F.F.C. SINGLE ROW (2.54)/.100 GRID: FAMILY INDEX	SHEET No. 6 of 13
DOCUMENT NUMBER: PS-70430	CREATED / REVISED BY: GJEEVANSURES	CHECKED BY: GJEEVANSURES	APPROVED BY: ISHWARG

2.2.6 Crimping Requirements

2.2.6.1 Female Series 70430



2.2.6.2 Male Series 70431 / 70456



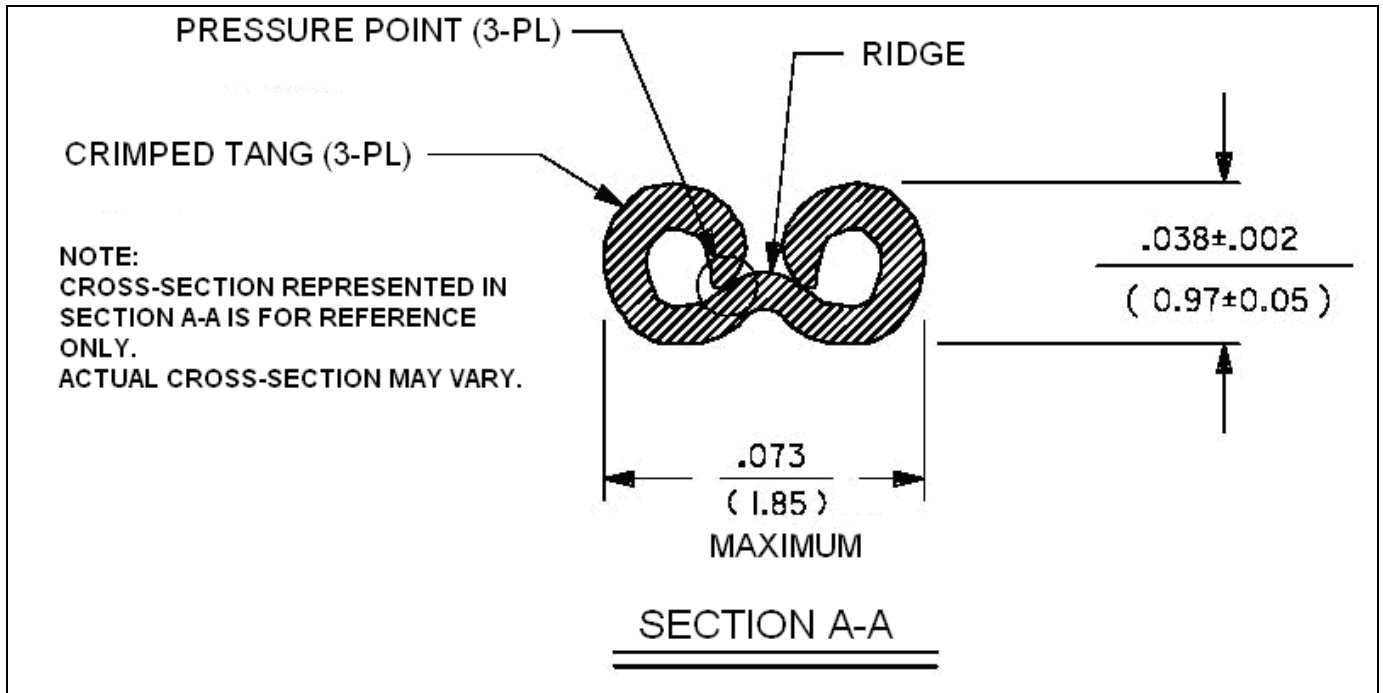
[SL Modular Connectors Web Page](#)



TABLE OF CONTENTS

REVISION: F2	ECR/ECN INFORMATION: EC No: 617958 DATE: 2019/05/27	TITLE: ASSEMBLY CONNECTOR F.F.C. SINGLE ROW (2.54)/.100 GRID: FAMILY INDEX	SHEET No. 7 of 13
DOCUMENT NUMBER: PS-70430	CREATED / REVISED BY: GJEEVANSURES	CHECKED BY: GJEEVANSURES	APPROVED BY: ISHWARG

2.2.6.3 Crimping Requirements



2.2.6.1 Crimped tangs must not be fractured.

2.2.6.2 Crimps can be evaluated by cross-sectioning them and/or electrical testing.

2.2.6.3 All three tangs must pierce the conducting element.

2.2.6.4 All three tangs must be curled beyond the ridge. Also, in the region of the pressure point, the conducting element must be in contact with either the tang or the ridge.

Material: RoHS compliant materials*.

*Refer to the "Product Environmental Compliance" section in Molex.com to know the individual PN RoHS compliance status

2.3 SAFETY AGENCY APPROVALS

2.3.1 Underwriters Laboratory: UL# E29179

2.3.2 Canadian Standards Association: CSA# LR19980

[SL Modular Connectors Web Page](#)



TABLE OF CONTENTS

REVISION: F2	ECR/ECN INFORMATION: EC No: 617958 DATE: 2019/05/27	TITLE: ASSEMBLY CONNECTOR F.F.C. SINGLE ROW (2.54)/.100 GRID: FAMILY INDEX	SHEET No. 8 of 13
DOCUMENT NUMBER: PS-70430	CREATED / REVISED BY: GJEEVANSURES	CHECKED BY: GJEEVANSURES	APPROVED BY: ISHWARG

3.0 APPLICABLE DOCUMENTS AND SPECIFICATION

3.1 MOLEX DOCUMENTS

[Molex Quality Crimping Handbook Order No. 63800-0029](#)

[Molex Solderability Specification SMES-152](#)

[Molex Heat Resistance Specification AS-40000-5013](#)

[Molex Moisture Technical Advisory AS-45499-001](#)

[Molex Package Handling Specification 454990100-PK](#)

ATS – Application Tooling Specification*

**Application Tooling Specification for terminals is not provided in this document. ATS for terminals can be available from respective terminal part number page in Molex.com*

3.2 INDUSTRY DOCUMENTS

UL-60950-1

CSA STD. C22.2 NO. 182.3-M1987

MIL-STD-1344A

MIL-STD-202F

RS-186-D

4.0 ELECTRICAL PERFORMANCE RATINGS

4.1 VOLTAGE

250 Volts AC (RMS)

4.2 MAXIMUM CURRENT RATING

2.0 Amps Maximum (Copper conductor cable or circuits)

0.5 Amps Maximum (Conductive Ink)

4.3 TEMPERATURE

Operating Temperature: - 40°C to + 105°C

4.4 DURABILITY

Tin plated: **25 mating cycles**

Gold plated: **50 mating cycles**

(As tested in accordance with MIL-STD-1344A Method 2016)

[SL Modular Connectors Web Page](#)



TABLE OF CONTENTS

REVISION: F2	ECR/ECN INFORMATION: EC No: 617958 DATE: 2019/05/27	TITLE: ASSEMBLY CONNECTOR F.F.C. SINGLE ROW (2.54)/.100 GRID: FAMILY INDEX	SHEET No. 9 of 13
DOCUMENT NUMBER: PS-70430	CREATED / REVISED BY: GJEEVANSURES	CHECKED BY: GJEEVANSURES	APPROVED BY: ISHWARG

5.0 QUALIFICATION

Laboratory conditions and sample selection are in accordance with **MIL-STD & EIA-364**

6.0 PERFORMANCE

6.1 ELECTRICAL PERFORMANCE

ITEM	DESCRIPTION	TEST CONDITION	REQUIREMENT
6.1.1	Contact Resistance (Low Level)	Mate connectors: apply a maximum voltage of 20 mV and a current of 10 mA . Per MIL-STD-1344A Method 3004.1. (Applies to copper conductors only, the silver inks have high resistances and are not stable enough for resistance measurements at this level).	10 milliohms MAXIMUM [initial]
6.1.2	Insulation Resistance	Mate Connectors with a voltage of 500 VDC between adjacent terminals and between terminals to ground, per MIL-STD-1344A Method 3003.1.	1000 Megohms MINIMUM
6.1.3	Dielectric Withstanding Voltage	Mate Connectors with a voltage of 500 VAC for 1 min. between adjacent terminals and between terminals and ground. Per MIL-STD-1344A Method 3003.1.	No breakdown;

[SL Modular Connectors Web Page](#)



TABLE OF CONTENTS

REVISION: F2	ECR/ECN INFORMATION: EC No: 617958 DATE: 2019/05/27	TITLE: ASSEMBLY CONNECTOR F.F.C. SINGLE ROW (2.54)/.100 GRID: FAMILY INDEX	SHEET No. 10 of 13
DOCUMENT NUMBER: PS-70430	CREATED / REVISED BY: GJEEVANSURES	CHECKED BY: GJEEVANSURES	APPROVED BY: ISHWARG

6.2 MECHANICAL PERFORMANCE

ITEM	DESCRIPTION	TEST CONDITION	REQUIREMENT
6.2.1	Connector Mate and Unmate Forces	Mate and unmate connector (male to female) at a rate of 25 ± 6 mm ($1 \pm \frac{1}{4}$ inch) per minute. Per MIL-STD-1344A Method 2013.1.	2.22 N (.50 lbf) MAXIMUM insertion force & 0.28 N (.06 lbf) MINIMUM withdrawal force
6.2.2	Durability	Mate connectors up to { 25 cycles for tin (non-noble) plating OR 50 cycles for gold (noble) plating} at a maximum rate of 10 cycles per minute prior to Environmental Tests. Per MIL-STD-1344A Method 2016.	10 milliohms MAXIMUM (change from initial)
6.2.3	Terminal Retention Force (in Housing)	Axial pullout force on the terminal in the housing at a rate of 25 ± 6 mm ($1 \pm \frac{1}{4}$ inch) per minute. Per MIL-STD-1344A Method 2012.1	13.34 N (3 lbf) MINIMUM retention force
6.2.4	Cable Pullout Force	Follow Procedures per E.I.A. RS-186-D, Method 6 and MIL-STD-202F, Method 211A the cable shall satisfy a gradually applied force of 6 pounds minimum over a two-circuit terminated assembly for 15 seconds.	26.69 N (6 lbf) MINIMUM pullout force {Recommended minimum value: 75% of tensile strength of the wire}
6.2.5	Vibration (Random)	Amplitude: 1.5mm (.060 inches) peak to peak Sweep: 10-55-10 Hertz in one minute Duration: 2 hours in each $\pm X$, $\pm Y$, $\pm Z$ axes Per MIL-STD-1344A Method 2005.1, Test Condition I.	10 milliohms MAXIMUM (change from initial) & Visual: No Damage Discontinuity: 1 microsecond maximum (CU conductors only)
6.2.6	Shock (Mechanical)	Mate connectors and shock at 50 in the $\pm X$, $\pm Y$, $\pm Z$ axes, Per MIL-STD-1344A Method 2004.1, Test Condition A.	10 milliohms MAXIMUM (change from initial) & Visual: No Damage (CU conductors only)

[SL Modular Connectors Web Page](#)



TABLE OF CONTENTS

REVISION: F2	ECR/ECN INFORMATION: EC No: 617958 DATE: 2019/05/27	TITLE: ASSEMBLY CONNECTOR F.F.C. SINGLE ROW (2.54)/.100 GRID: FAMILY INDEX	SHEET No. 11 of 13
DOCUMENT NUMBER: PS-70430	CREATED / REVISED BY: GJEEVANSURES	CHECKED BY: GJEEVANSURES	APPROVED BY: ISHWARG

6.3 ENVIRONMENTAL PERFORMANCE

ITEM	DESCRIPTION	TEST CONDITION	REQUIREMENT										
6.3.1	Shock (Thermal)	Mate connectors; expose to 10 cycles of: <table border="1"> <thead> <tr> <th>Temperature °C</th> <th>Duration (Minutes)</th> </tr> </thead> <tbody> <tr> <td>-40 +0/-3</td> <td>30</td> </tr> <tr> <td>+25 ±10</td> <td>5 MAXIMUM</td> </tr> <tr> <td>+105 +3/-0</td> <td>30</td> </tr> <tr> <td>+25 ±10</td> <td>5 MAXIMUM</td> </tr> </tbody> </table>	Temperature °C	Duration (Minutes)	-40 +0/-3	30	+25 ±10	5 MAXIMUM	+105 +3/-0	30	+25 ±10	5 MAXIMUM	10 milliohms MAXIMUM (change from initial) & Visual: No Damage (CU conductors only)
Temperature °C	Duration (Minutes)												
-40 +0/-3	30												
+25 ±10	5 MAXIMUM												
+105 +3/-0	30												
+25 ±10	5 MAXIMUM												
6.3.2	Thermal Aging	Mate connectors; expose to: 250 hours at 105 ± 2°C Per MIL-STD-202F Method 108A Test Condition B.	10 milliohms MAXIMUM (change from initial]) & Visual: No Damage (CU conductors only)										
6.3.3	Humidity (Cyclic)	Mate connectors: cycle per MIL-STD-1344A Method 1002.1, Type II without cold dip: Temperature cycles between 25 ± 3°C at 95 ± 5% relative humidity and 65 ± 3°C at 95 ± 5% relative humidity. {Note: Remove surface moisture and air dry for 1 hour prior to measurements.}	10 milliohms MAXIMUM (change from initial) (CU conductors only) & Dielectric Withstanding Voltage: No Breakdown & Insulation Resistance: 100 Megohms MINIMUM & Visual: No Damage										
6.3.4	Corrosive Atmosphere: Sulfur Dioxide Gas (SO₂)	Mate connectors: Duration: 24 hours exposure; Atmosphere: 50 parts per million (ppm) SO ₂ gas; Temperature: 40 ± 3°C	10 milliohms MAXIMUM (change from initial) & Visual: No Damage										

7.0 PACKAGING

Parts shall be packaged to protect against damage during normal handling, transit and storage. Connector housing assemblies are packaged in plastic tubes in the “pre-loaded” condition. Refer Molex.com specific part number webpage to get the exact packaging document for that item.

[SL Modular Connectors Web Page](#)

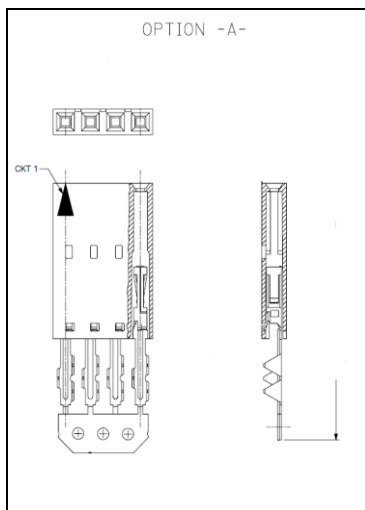


TABLE OF CONTENTS

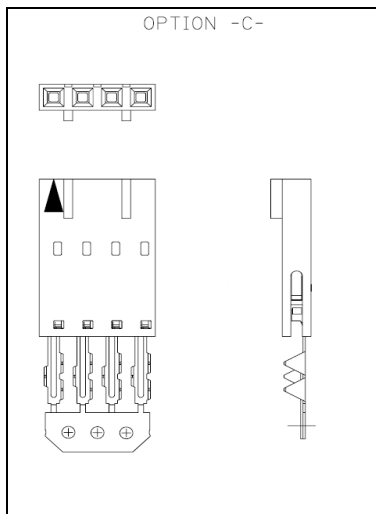
REVISION: F2	ECR/ECN INFORMATION: EC No: 617958 DATE: 2019/05/27	TITLE: ASSEMBLY CONNECTOR F.F.C. SINGLE ROW (2.54)/.100 GRID: FAMILY INDEX	SHEET No. 12 of 13
DOCUMENT NUMBER: PS-70430	CREATED / REVISED BY: GJEEVANSURES	CHECKED BY: GJEEVANSURES	APPROVED BY: ISHWARG

8.0 POLARIZATION AND KEYING OPTIONS

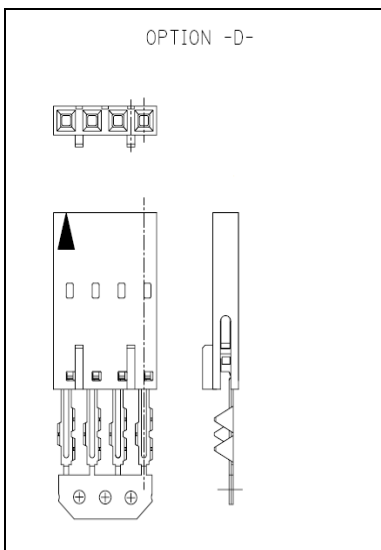
8.1 Single Row Receptacle (Series: [70430](#))



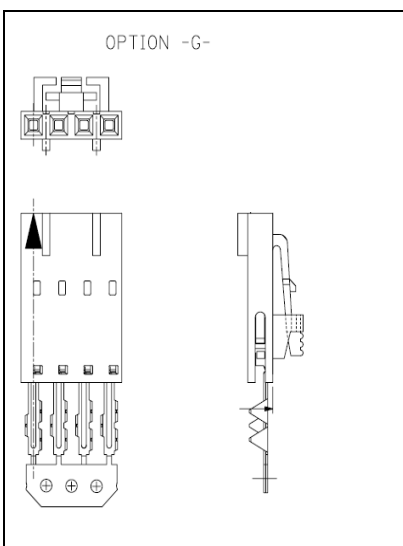
SL Single Row, Female, Version A Receptacle



SL Single Row, Female, Version C Receptacle



SL Single Row, Female, Version D Receptacle



SL Single Row, Female, Version G Receptacle

[SL Modular Connectors Web Page](#)



TABLE OF CONTENTS

REVISION: F2	ECR/ECN INFORMATION: EC No: 617958 DATE: 2019/05/27	TITLE: ASSEMBLY CONNECTOR F.F.C. SINGLE ROW (2.54)/.100 GRID: FAMILY INDEX	SHEET No. 13 of 13
DOCUMENT NUMBER: PS-70430	CREATED / REVISED BY: GJEEVANSURES	CHECKED BY: GJEEVANSURES	APPROVED BY: ISHWARG