

1 2 3 4 5 6

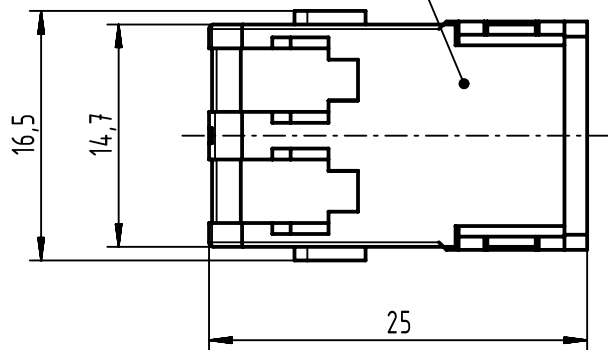
A

B

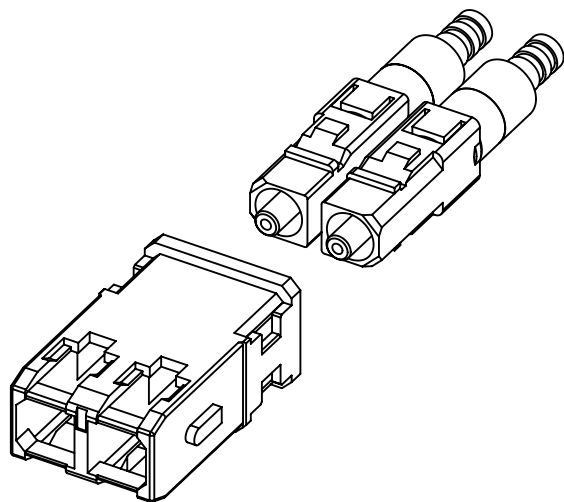
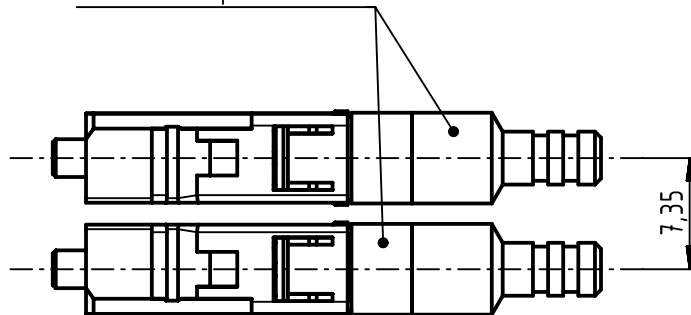
C

D

data container SCRJ



SC-POF crimp connector



	All Dimensions in mm Original Size DIN A4		Scale 2:1	Free size tol.		Ref. Sub. TB 09350024003 / 500000096120 / 2015-10-28	
		All rights reserved Department EC PD - DE	Created by KAHLERK	Inspected by ELLERMANN	Standardisation HOFFMANN	Date 2016-03-09	State Final Release
HARTING Electronics GmbH D-32339 Espelkamp		Title Han PP V14 SCRJ POF IP20 plug crimp			Doc-Key / ECM-Nr. 100566566/UGD/001/C 500000101428		
			Type TB	Number 09350024003		Rev. C	Page 1/1