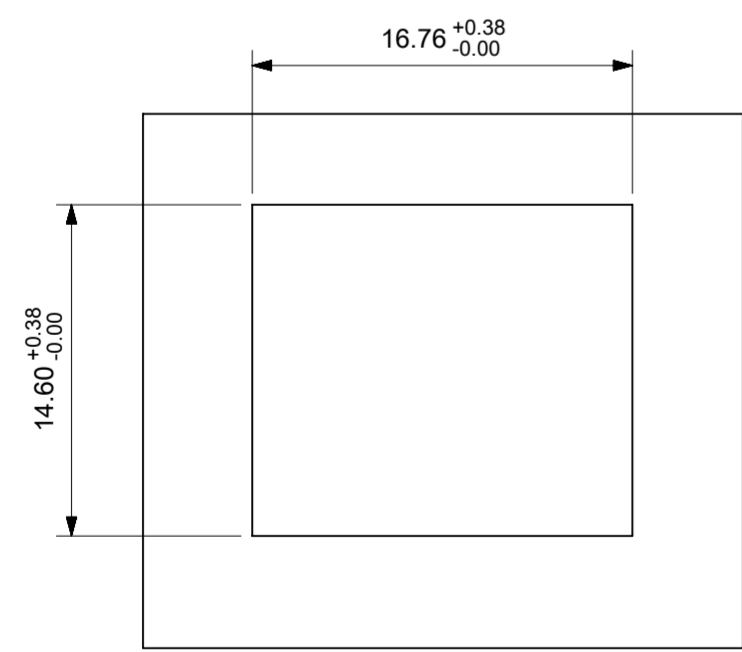
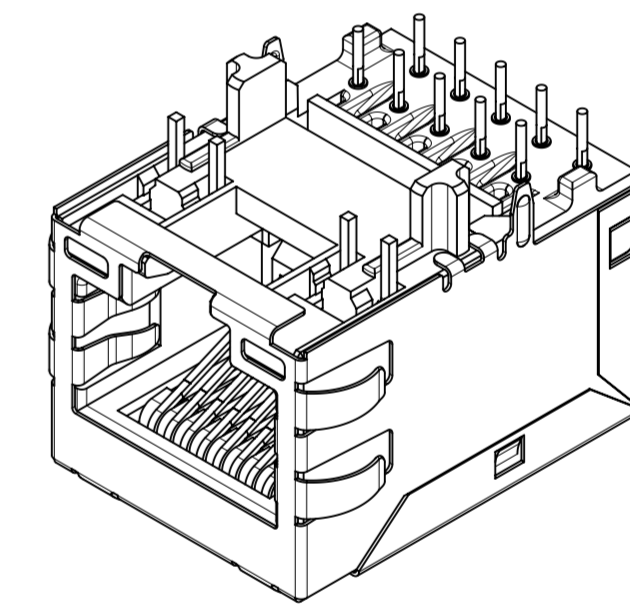
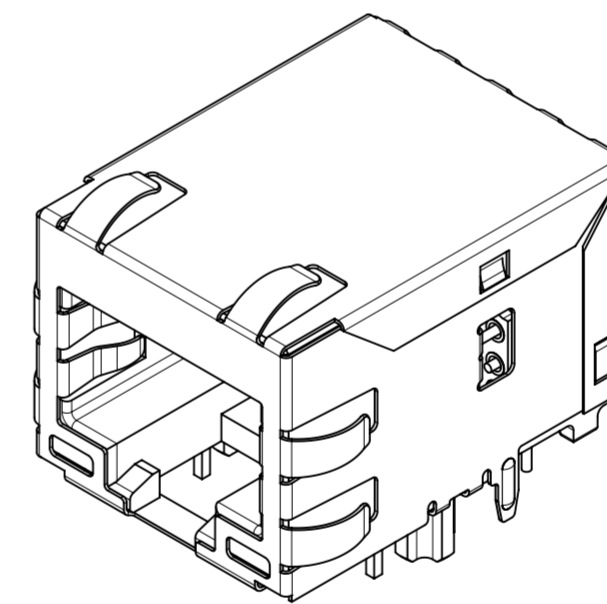
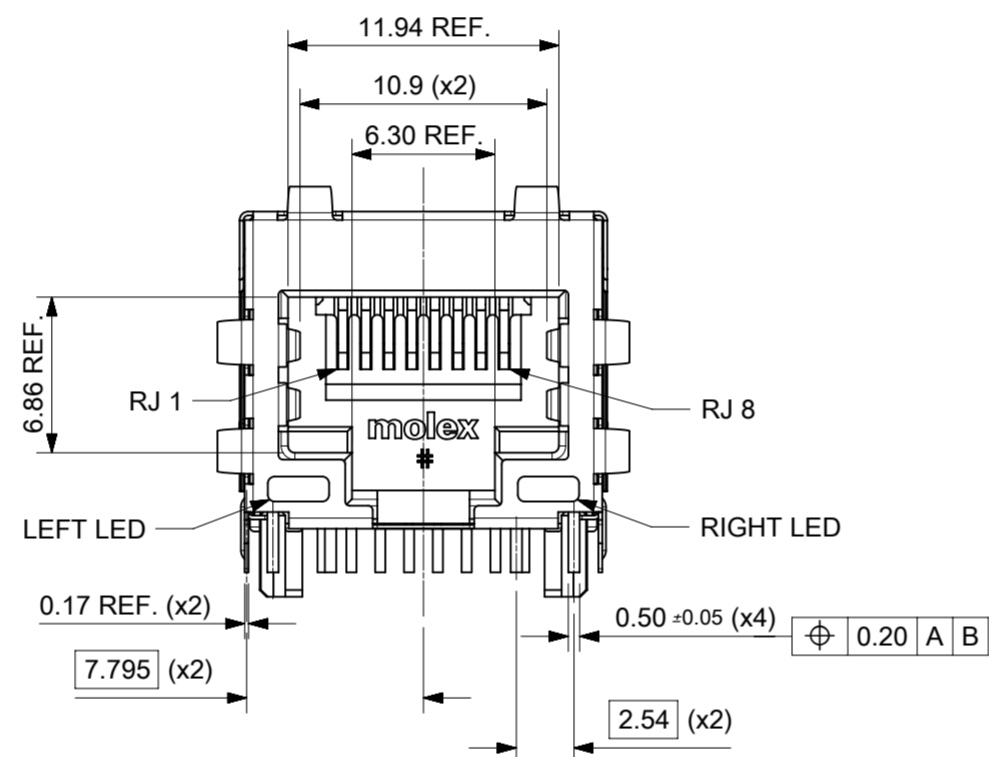
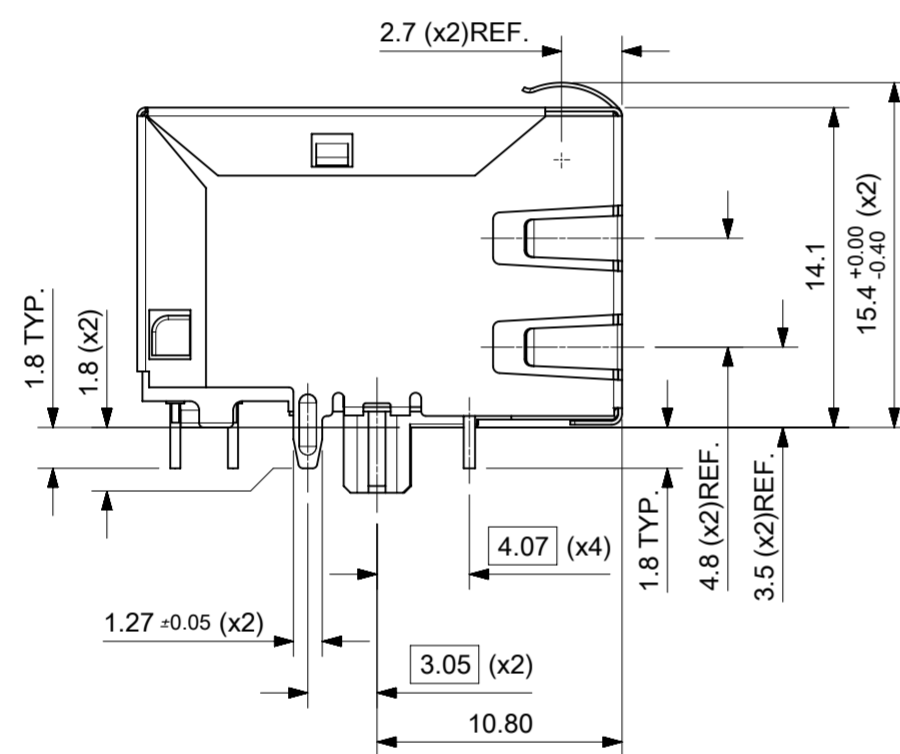
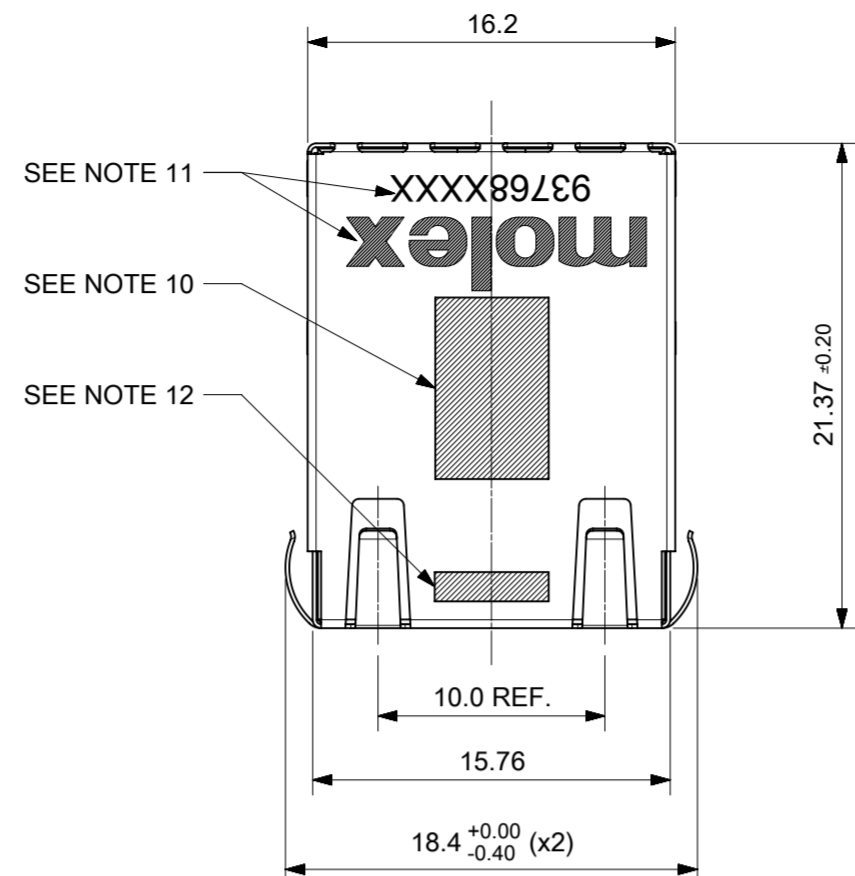
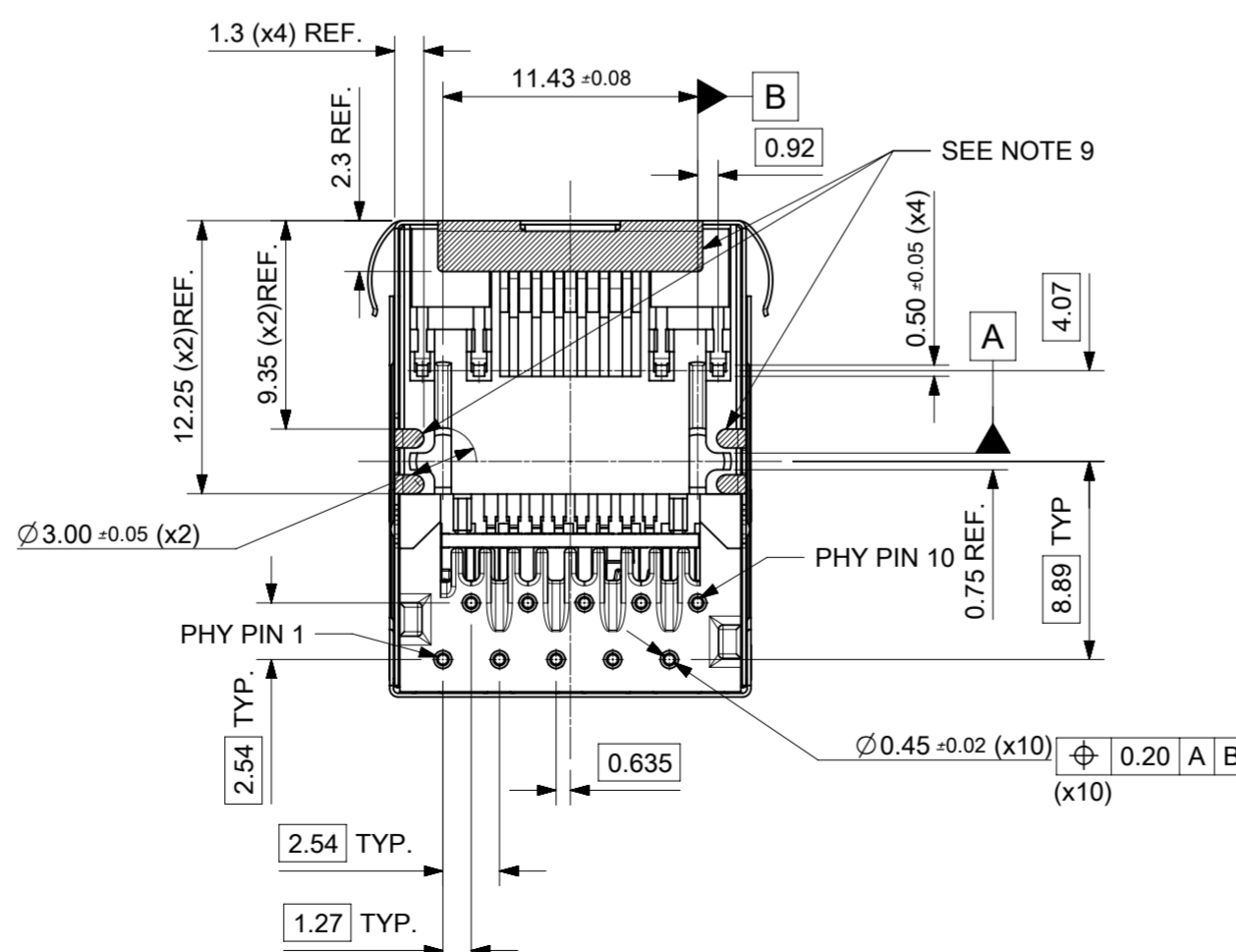


STANDARD PROFILE MAGNETIC JACK
GIGABIT ETHERNET W /LEDS
AND W/ SHIELD TABS TOP AND SIDE



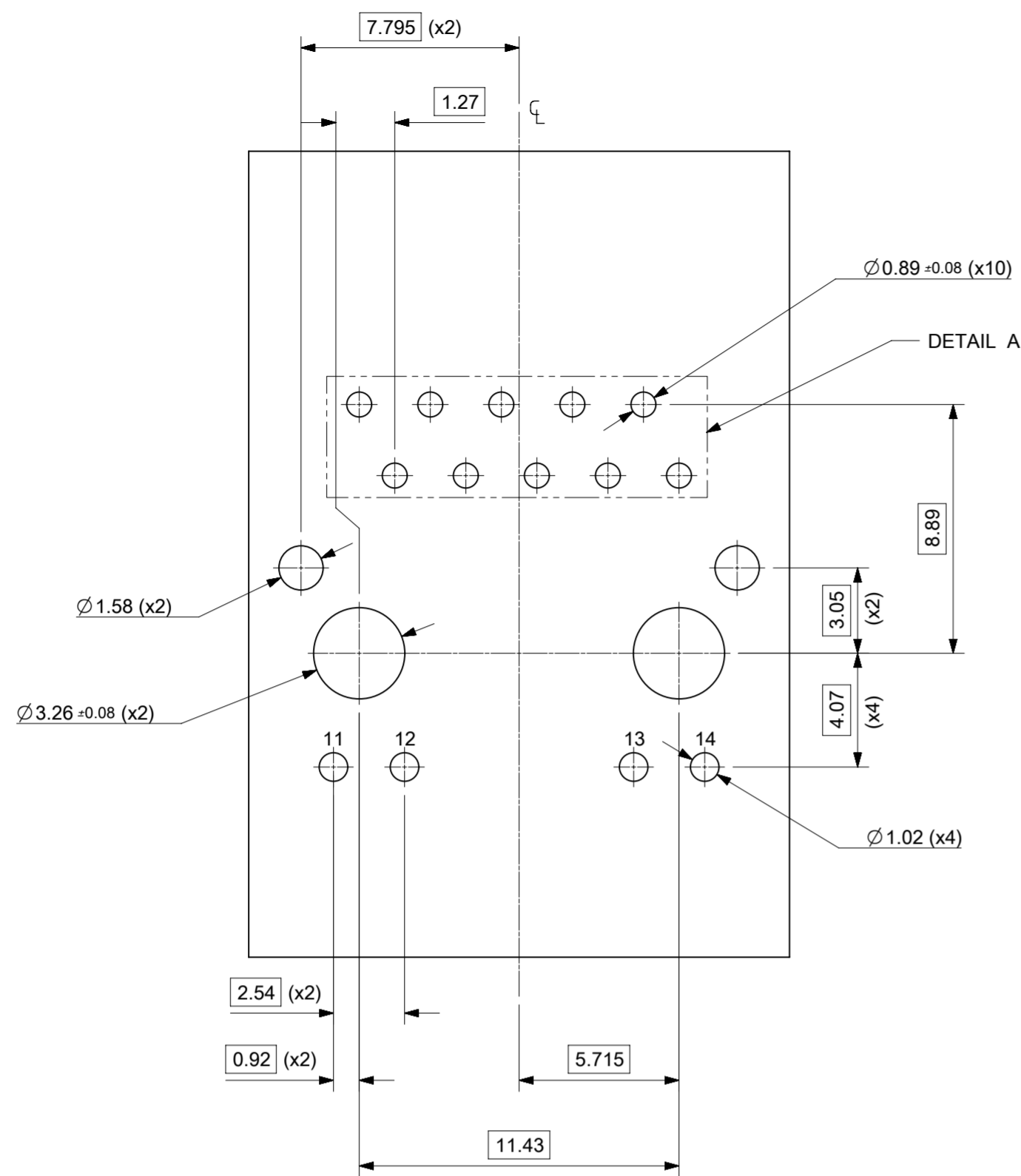
SUGGESTED PANEL CUT-OUT



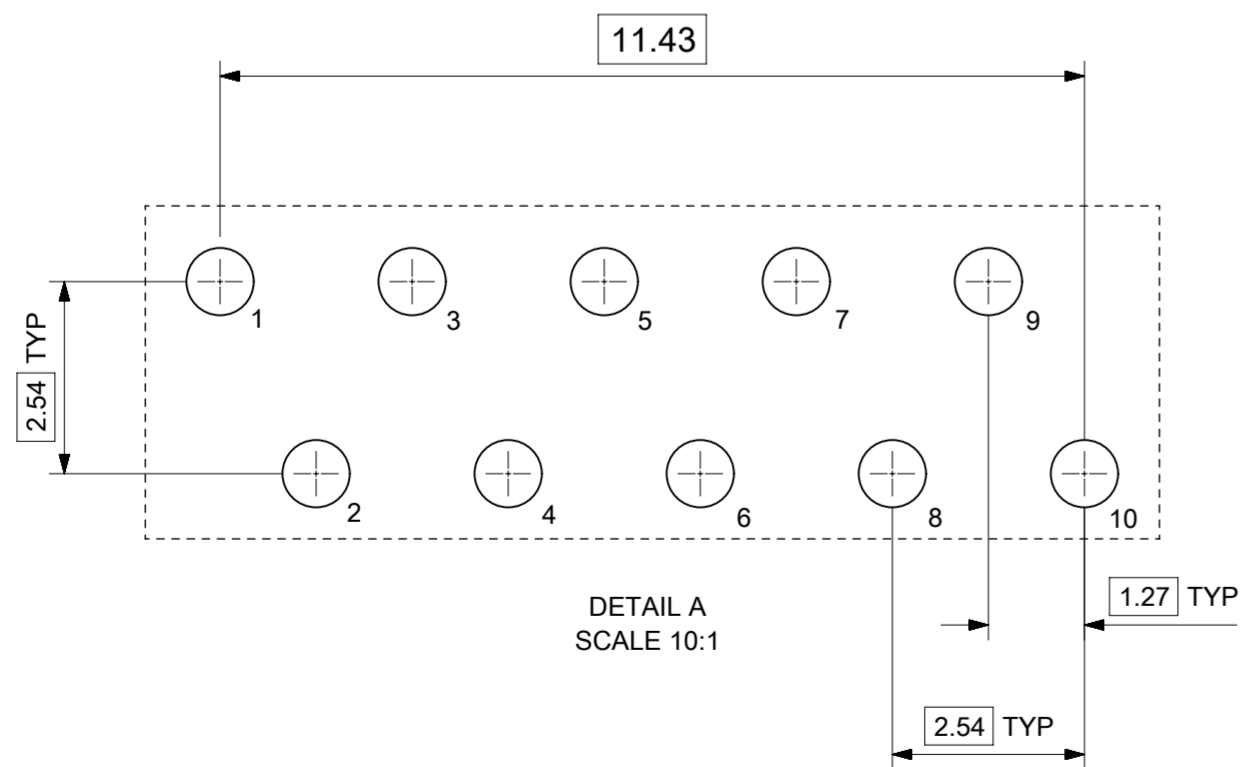
- NOTES:
- 1 - SHIELD MATERIAL: 0.17mm THICK BRASS PRE-PLATED WITH NICKEL
SOLDER TABS POST DIPPED WITH MIN. 1.27µm TIN
 - 2 - HOUSING MATERIAL: LCP, BLACK, UL 94V-0
 - 3 - TERMINAL MATERIAL: PHOSPHOR BRONZE
RJ45 CONTACTS PLATING: BASE NICKEL PLATED WITH GOLD
FLASH OVER PALLADIUM NICKEL. REFER TO 934620001 PSP
PHY SOLDER TAILS: COPPER ALLOY
 - 4 - MATING INTERFACE ACCORDING TO IEC 60603-7 & TIA-1096-A
 - 5 - PRODUCT SPECIFICATION: 934620001 PSP
 - 6 - PACKAGING SPECIFICATION: 934620002 PSK TAPE & REEL
TAPE & REEL DRAWING NUMEBR: 934629001 PSD
 - 7 - STAND OFF TO SYSTEM BOARD 0.30mm MINIMUM
 - 8 - RECOMMENDED PCB THICKNESS: 1.57mm
 - 9 - SHIELD: AVOID ROUTING TRACES
OR PLACING ANY VIAS BELOW THESE AREAS
 - 10 - AREA FOR PICK AND PLACE: 5.0mm X 8.0mm
 - 11 - INSCRIPTION MARKED BY LASER:
1st : MOLEX
2nd : P/N (SEE CHART)
 - 12 - DATE CODE(DAY/WEEK/YEAR)

THIS DRAWING CONTAINS INFORMATION THAT IS PROPRIETARY TO MOLEX ELECTRONIC TECHNOLOGIES, LLC AND SHOULD NOT BE USED WITHOUT WRITTEN PERMISSION																	
DIMENSION UNITS		SCALE		CURRENT REV DESC: UPDATED TITLE													
mm		3:1															
GENERAL TOLERANCES (UNLESS SPECIFIED)				<p>molex</p> <p>STD MXMAG 8 CORE W/ LEDS REFLOW CAPABLE</p> <p>PRODUCT CUSTOMER DRAWING</p> <table border="1"> <tr> <td>DOCUMENT NUMBER</td> <td>DOC TYPE</td> <td>DOC PART</td> <td>REVISION</td> </tr> <tr> <td>937680001</td> <td>PSD</td> <td>000</td> <td>B</td> </tr> </table>						DOCUMENT NUMBER	DOC TYPE	DOC PART	REVISION	937680001	PSD	000	B
DOCUMENT NUMBER	DOC TYPE	DOC PART	REVISION														
937680001	PSD	000	B														
ANGULAR TOL	±	2.0°															
4 PLACES	±																
3 PLACES	±																
2 PLACES	±	0.1															
1 PLACE	±	0.2															
0 PLACES	±																
DRAFT WHERE APPLICABLE MUST REMAIN WITHIN DIMENSIONS				THIRD ANGLE PROJECTION		DRAWING		SERIES									
				A2-SIZE		93768		MATERIAL NUMBER									
				SEE CHART		GENERAL MARKET		CUSTOMER									
								SHEET NUMBER									
								1 OF 3									

DOCUMENT STATUS	P1	RELEASE DATE	2019/09/25	12:10:12
-----------------	----	--------------	------------	----------



SUGGESTED BOARD LAYOUT
GIGABIT VERSION
COMPONENT SIDE
ALL DIMENSIONS REFERENCE

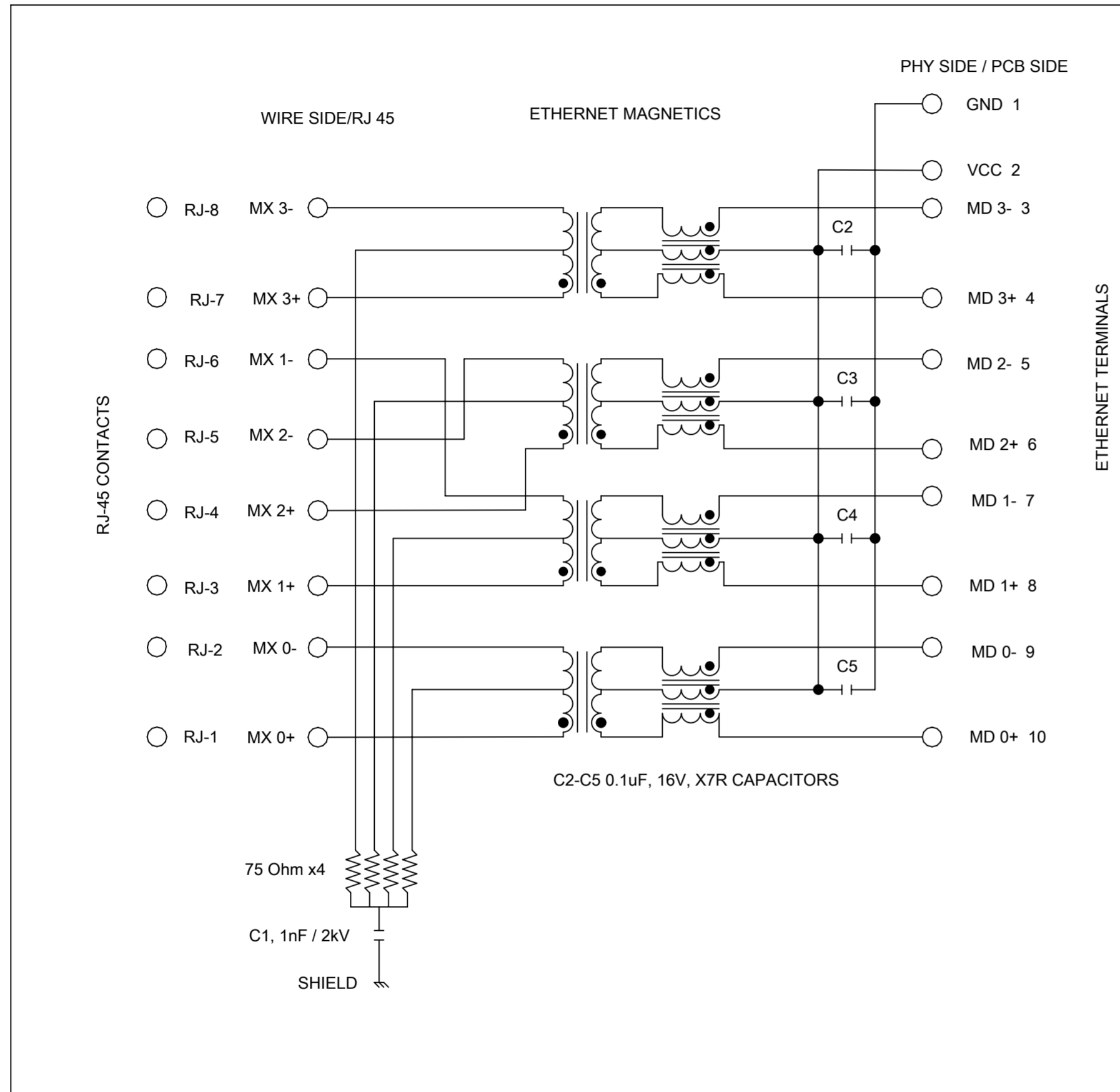


DETAIL A
SCALE 10:1
PIN CONFIGURATION
FOR GIGABIT VERSION

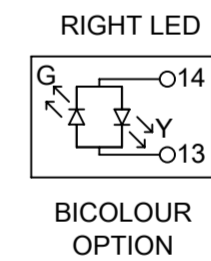
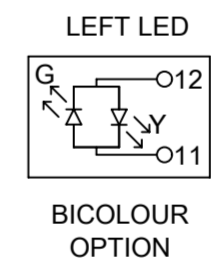
PART NUMBER	LEFT LED	RIGHT LED
93768-8628	GREEN/YELLOW	GREEN/YELLOW

THIS DRAWING CONTAINS INFORMATION THAT IS PROPRIETARY TO MOLEX ELECTRONIC TECHNOLOGIES, LLC AND SHOULD NOT BE USED WITHOUT WRITTEN PERMISSION									
DIMENSION UNITS	SCALE	CURRENT REV DESC: UPDATED TITLE							
mm	5:1								
GENERAL TOLERANCES (UNLESS SPECIFIED)					STD MXMAG 8 CORE W/ LEDS REFLOW CAPABLE				
ANGULAR TOL	± 2.0°	EC NO: 604273							
4 PLACES	±	DRWN: DSHEA 2018/07/26							
3 PLACES	±	CHK'D: SMCGREEVY 2018/08/15							
2 PLACES	± 0.1	APPR: DBYRNES 2019/09/25							
1 PLACE	± 0.2	INITIAL REVISION:			PRODUCT CUSTOMER DRAWING				
0 PLACES	±	DRWN: SMCGREEVY 2017/05/03			DOCUMENT NUMBER		DOC TYPE	DOC PART	REVISION
		APPR: STGRIFFIN 2017/05/16			937680001		PSD	000	B
DRAFT WHERE APPLICABLE MUST REMAIN WITHIN DIMENSIONS	THIRD ANGLE PROJECTION	DRAWING	SERIES	MATERIAL NUMBER	CUSTOMER		SHEET NUMBER		
		A2-SIZE	93768	SEE CHART	GENERAL MARKET		2 OF 3		

DOCUMENT STATUS	P1	RELEASE DATE	2019/09/25	12:10:12
-----------------	----	--------------	------------	----------



Description	Value	
OCL @100kHz, 0.1V, 8mA DC bias (-40°C to +85°C)	350 μH min.	
Turns ratio	1CT:1CT	
Transmission characteristics @ 25°C, all four pairs		
Insertion Loss		
Frequency f, (MHz)	Limits (dB max.)	Typical Values (dB max.)
1.0-9.9	0.4+0.1*log(f)	0.5 @ 10 MHz
10-49.9	0.5+0.3*log(f/10)	0.7 @ 50 MHz
50-79.9	1+1.4*log(f/80)	1.0 @ 80 MHz
80-100	1.3+3*log(f/100)	1.3 @ 100 MHz
Return Loss		
Frequency f, (MHz)	Limits (dB min.)	Typical Values (dB min.)
1.0-39.9	18	18 @ 40 MHz
40-100	12-20*log(f/80)	10 @ 100 MHz
CMR		
Frequency f, (MHz)	Limits (dB min.)	Typical Values (dB min.)
1.0-100	30	30 @ 100 MHz
NEXT		
Frequency f, (MHz)	Limits (dB min.)	Typical Values (dB min.)
1.0-39.9	35	35 @ 40 MHz
40-100	33-20*log(f/50)	27 @ 100 MHz
Isolation PHY to wire side	2.25 kV DC / 60 sec	



THIS DRAWING CONTAINS INFORMATION THAT IS PROPRIETARY TO MOLEX ELECTRONIC TECHNOLOGIES, LLC AND SHOULD NOT BE USED WITHOUT WRITTEN PERMISSION									
DIMENSION UNITS	SCALE	CURRENT REV DESC: UPDATED TITLE				molex			
mm	1:1								
GENERAL TOLERANCES (UNLESS SPECIFIED)						STD MXMAG 8 CORE W/ LEDS REFLOW CAPABLE			
ANGULAR TOL	± 2.0°	EC NO: 604273				PRODUCT CUSTOMER DRAWING			
4 PLACES	±	DRWN: DSHEA 2018/07/26				DOCUMENT NUMBER			
3 PLACES	±	CHK'D: SMCGREEVY 2018/08/15				937680001			
2 PLACES	± 0.1	APPR: DBYRNES 2019/09/25				DOC TYPE DOC PART REVISION			
1 PLACE	± 0.2	INITIAL REVISION:				PSD 000 B			
0 PLACES	±	DRWN: SMCGREEVY 2017/05/03				MATERIAL NUMBER			
DRAFT WHERE APPLICABLE MUST REMAIN WITHIN DIMENSIONS		THIRD ANGLE PROJECTION		DRAWING	SERIES	CUSTOMER		SHEET NUMBER	
				A2-SIZE	93768	GENERAL MARKET		3 OF 3	

DOCUMENT STATUS	P1	RELEASE DATE	2019/09/25	12:10:12
-----------------	----	--------------	------------	----------