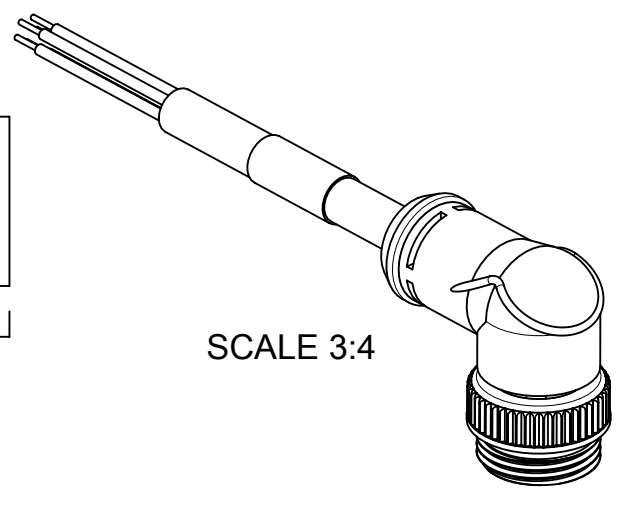
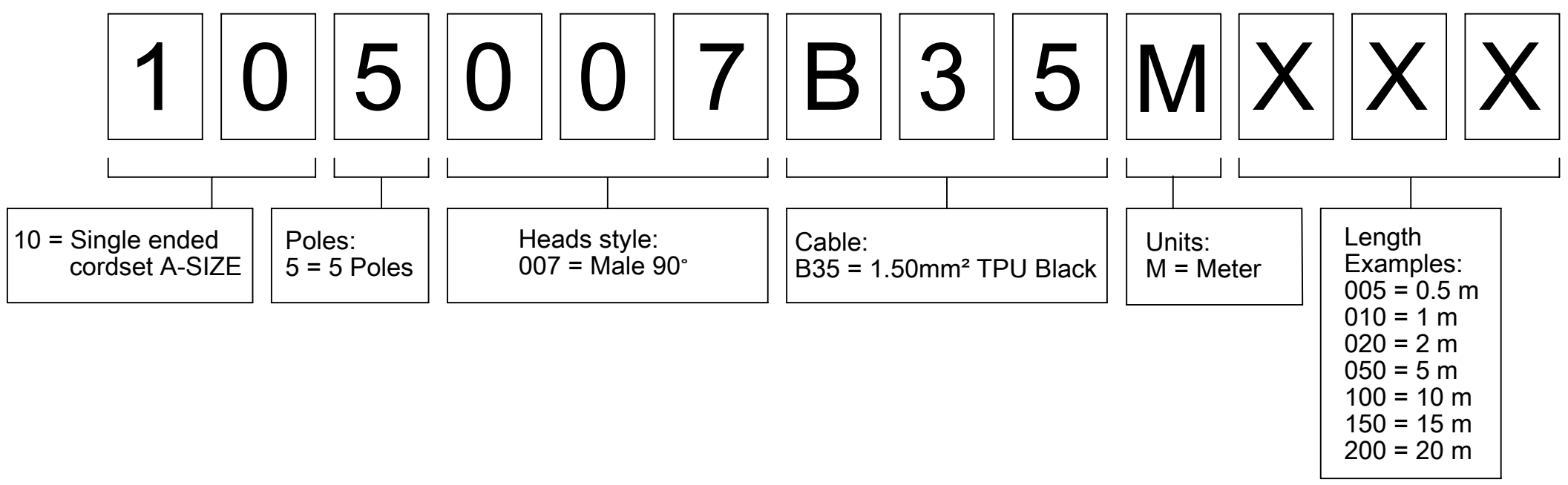


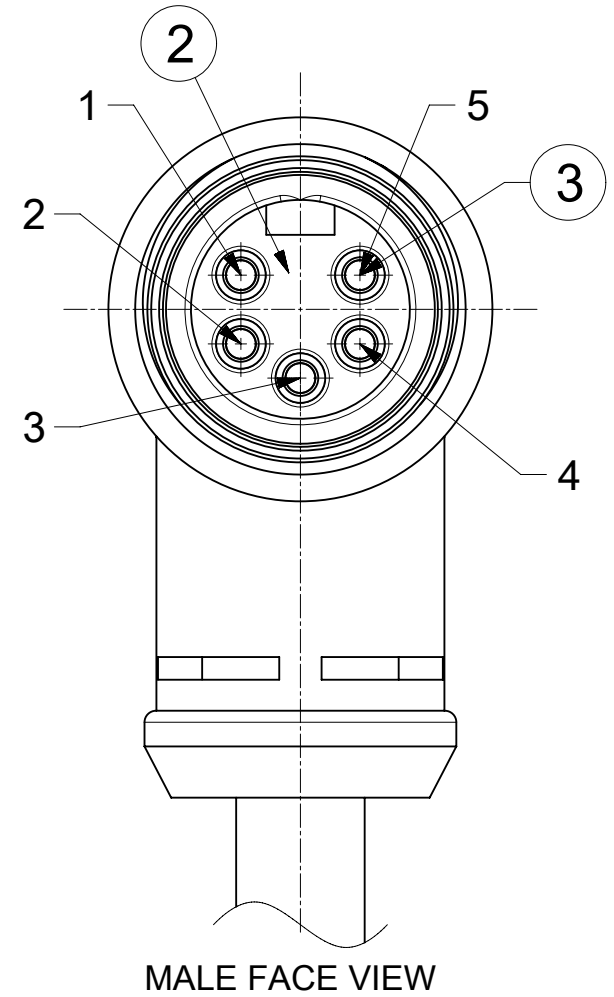
| MATERIAL NO. | ENGINEERING NO. | FINISHED LENGTH     |
|--------------|-----------------|---------------------|
| 1300068277   | 105007B35M010   | 1 M (3 FT 3.37 IN)  |
| 1300068169   | 105007B35M020   | 2 M (6 FT 6.74 IN)  |
| 1300068170   | 105007B35M050   | 5 M (16 FT 4.85 IN) |
| 1300068171   | 105007B35M100   | 10 M (32 FT 9.7 IN) |
| 1300068172   | 105007B35M200   | 20 M (65 FT 4.7 IN) |
| 1300068173   | 105007B35M300   | 30 M (98 FT 5.1 IN) |

### PART NUMBER MATRIX



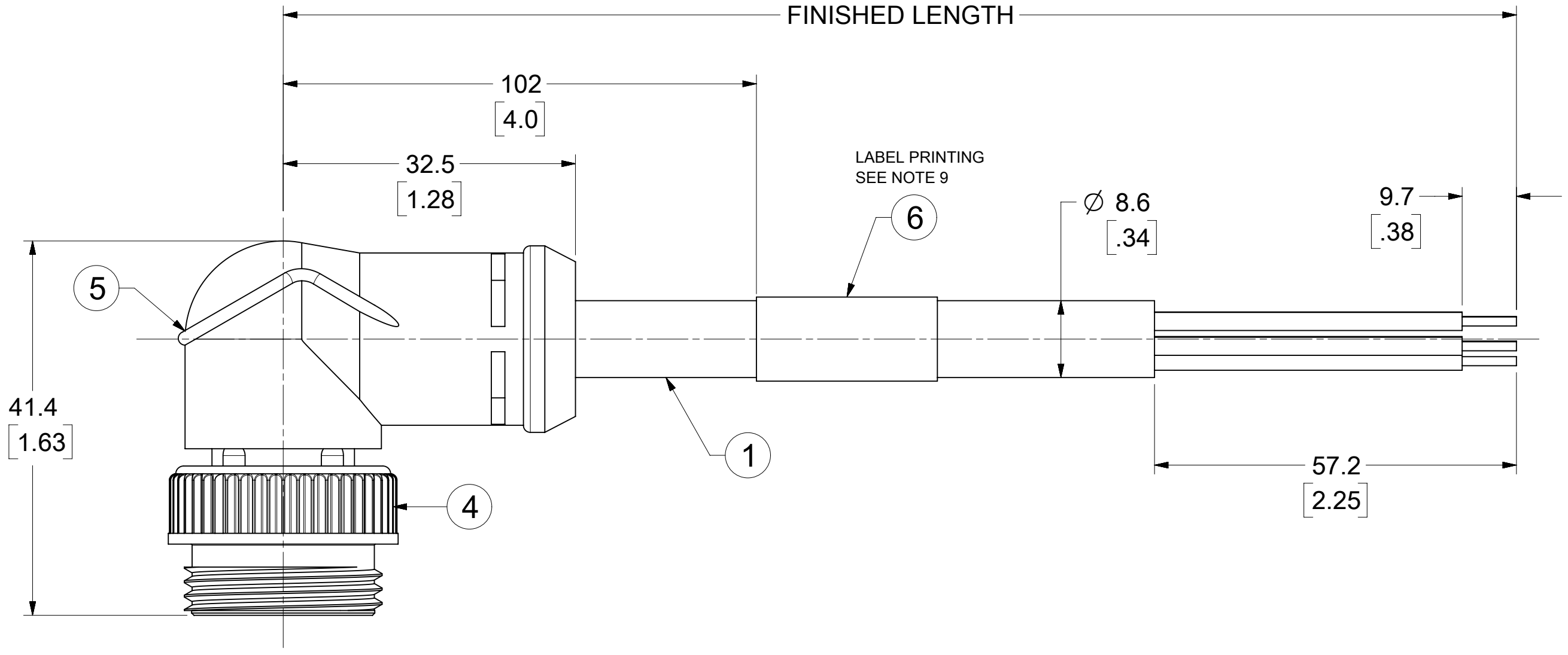
#### WIRING DIAGRAM

|   |              |
|---|--------------|
| 1 | BLACK        |
| 2 | BLUE         |
| 3 | GREEN/YELLOW |
| 4 | BROWN        |
| 5 | WHITE        |



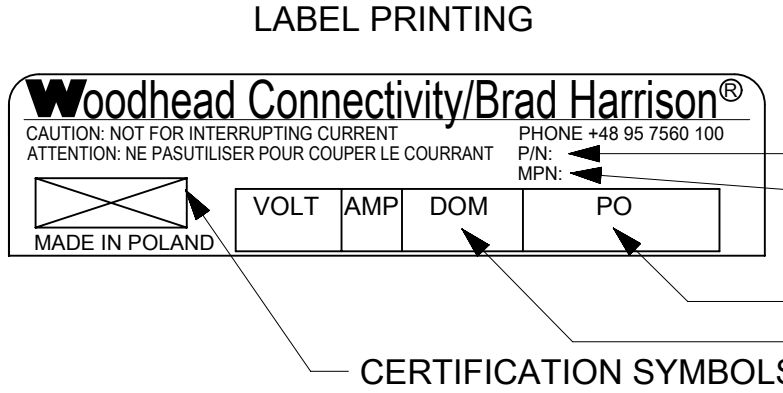
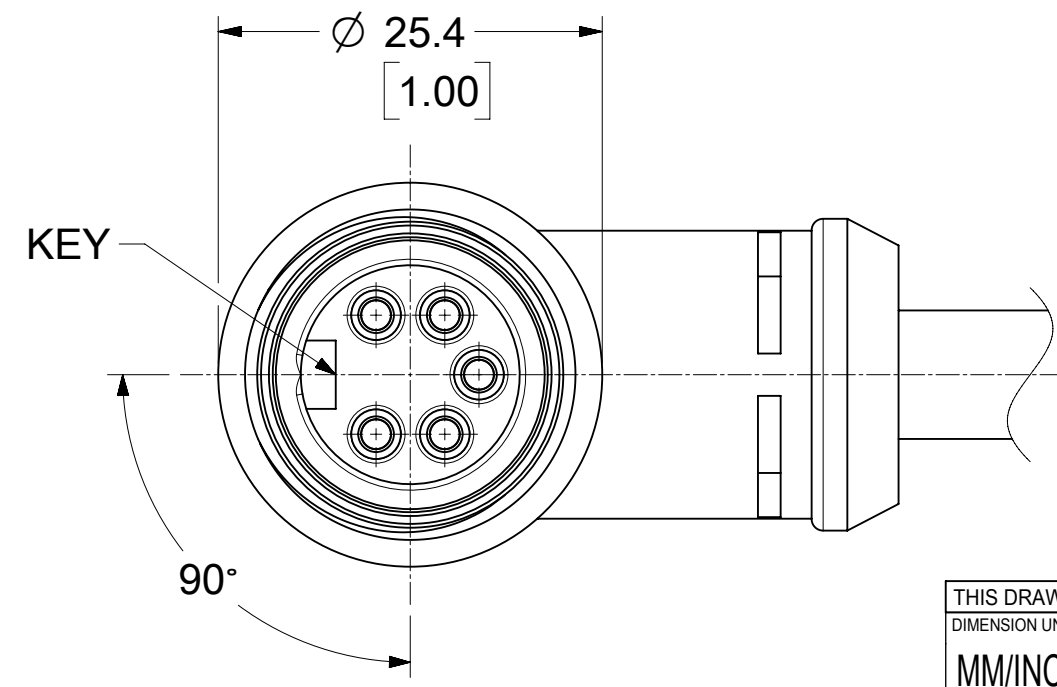
#### NOTES:

- MATERIAL: AS NOTED
- FINISH: AS NOTED
- ELECTRICAL:  
VOLTAGE RATING: 600 V  
CURRENT RATING: 10 A
- TEMPERATURE RATING:  
STATIC: -40 °C TO 90 °C  
DYNAMIC: -25 °C TO 80 °C
- PROTECTION: IP67 (WHEN MATED)
- UL CERTIFICATION: UL LISTED, FILE NO. E152210
- COUPLING THREAD: 7/8"-16UN
- ALL DIMS ARE FOR REFERENCE UNLESS TOLERANCED OR NOTED OTHERWISE
- LABEL PRINTING ACC. STANDARD LABEL INSTRUCTION



#### CABLE LENGTH TOLERANCES

|                          |                         |
|--------------------------|-------------------------|
| <.3M [1FT]:              | +19mm-0 [ +.75in-0]     |
| .3 - .9M [1 - 3FT]:      | +44.5mm-0 [+1.75in-0]   |
| .9 - 1.8M [3 - 6FT]:     | +55.6mm-0 [+2.19in-0]   |
| 1.8 - 3.7M [6 - 12FT]:   | +88.9mm-0 [+3.50in-0]   |
| 3.7 - 7.3M [12 - 24FT]:  | +165.1mm-0 [+6.50in-0]  |
| 7.3-14.6M [24 - 48FT]:   | +317.5mm-0 [+12.50in-0] |
| 14.6 - 30.5M [48-100FT]: | +622.3mm-0 [+24.50in-0] |
| OVER 30M [100FT]         | +2% OF FINISHED LENGTH  |



ENGINEERING NO.  
MOLEX PN

PO NO.  
PRODUCT. DATE

CERTIFICATION SYMBOLS

#### BILL OF MATERIAL

| ITEM | DESCRIPTION                      | MATERIAL      | FINISH           |
|------|----------------------------------|---------------|------------------|
| 6    | LABEL                            | VINYL         | BLACK/YELLOW     |
| 5    | OVERMOLD                         | TPE           | BLACK            |
| 4    | COUPLING NUT                     | ZINC DIE CAST | BLACK E-COAT     |
| 3    | PIN CONTACT                      | Cu ALLOY      | GOLD OVER NICKEL |
| 2    | MALE INSERT                      | TPE           | BLACK            |
| 1    | #16-5 CABLE, WELD SLAG RESISTANT | TPU JACKET    | GREY             |
|      |                                  | MATERIAL      | FINISH           |

| THIS DRAWING CONTAINS INFORMATION THAT IS PROPRIETARY TO MOLEX ELECTRONIC TECHNOLOGIES, LLC AND SHOULD NOT BE USED WITHOUT WRITTEN PERMISSION |       |   |                            |
|---|-------|---|----------------------------|
| DIMENSION UNITS   | SCALE | CURRENT REV DESC: NOTES UPDATED, LABEL PRINTING ADDED |                            |
| MM/INCH   | 2:1   |   |                            |
| GENERAL TOLERANCES (UNLESS SPECIFIED)   |       | EC NO: 747270   |                            |
|   | MM    | INCH  |                            |
| 4 PLACES  | ±     | ±   | DRWN: RSCHIEBER 2023/04/18 |
| 3 PLACES  | ±     | ±   | CHK'D: RSILLER 2023/04/27  |
| 2 PLACES  | ±     | ±   | APPR: RSILLER 2023/04/27   |
| 1 PLACE   | ±     | ±   | INITIAL REVISION:          |
| 0 PLACES  | ±     | ±   | DRWN: RSTONE 2019/08/20    |
| ANGULAR TOL   | ±     | °   | APPR: BWOODMAN 2019/08/28  |
| DRAFT WHERE APPLICABLE MUST REMAIN WITHIN DIMENSIONS  |       | THIRD ANGLE PROJECTION                                | DRAWING SERIES             |
|   |       |   | C-SIZE 130006              |
| DOCUMENT STATUS   |       | P1  | RELEASE DATE               |
| 2023/04/27  |       | 12:11:35  |                            |
| MATERIAL NUMBER   |       | CUSTOMER  | SHEET NUMBER               |
| 1300068169  |       | GENERAL MARKET  | 1 OF 1                     |

# molex

CSE MC 5P A-SIZE MA RA WSOR XM SE

PRODUCT CUSTOMER DRAWING

DOCUMENT NUMBER: 1300068169  
DOC TYPE: PSD  
DOC PART: 000  
REVISION: B2