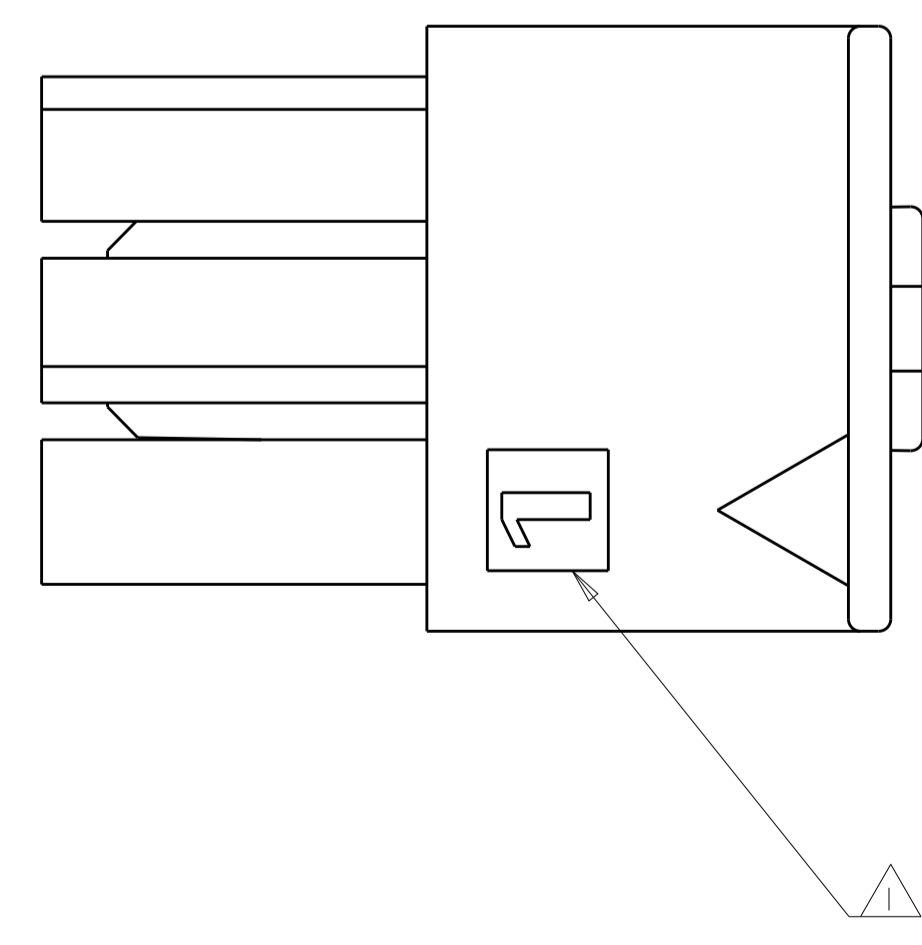
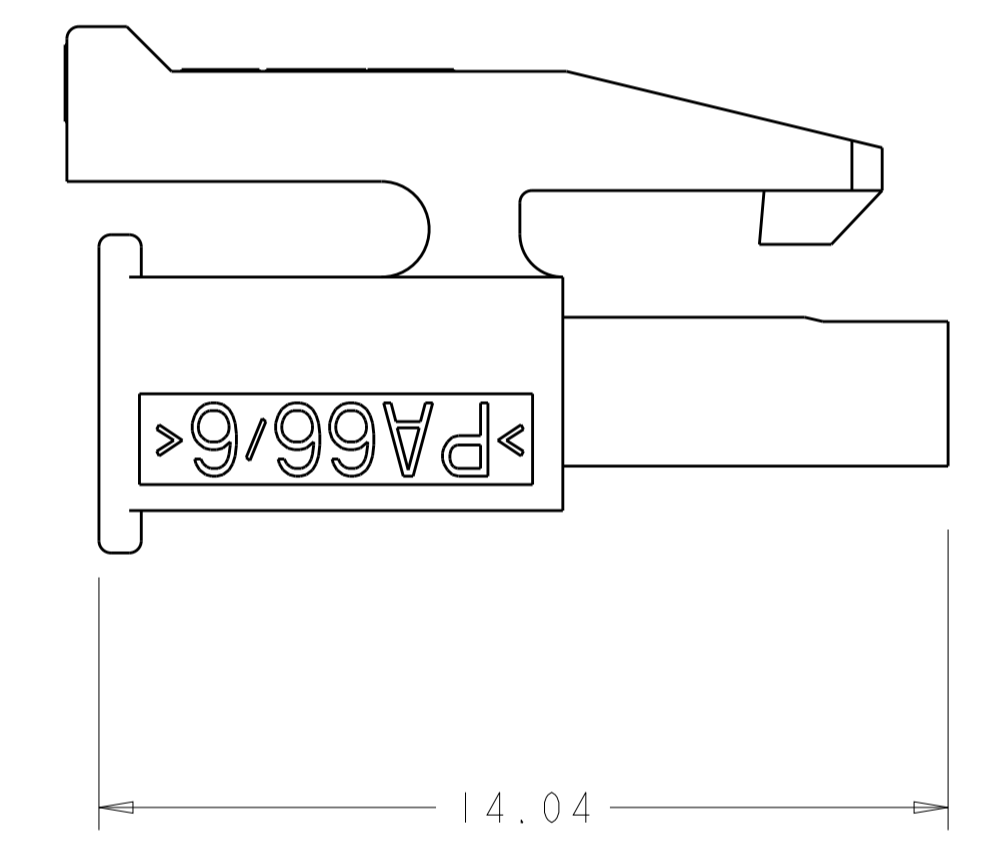
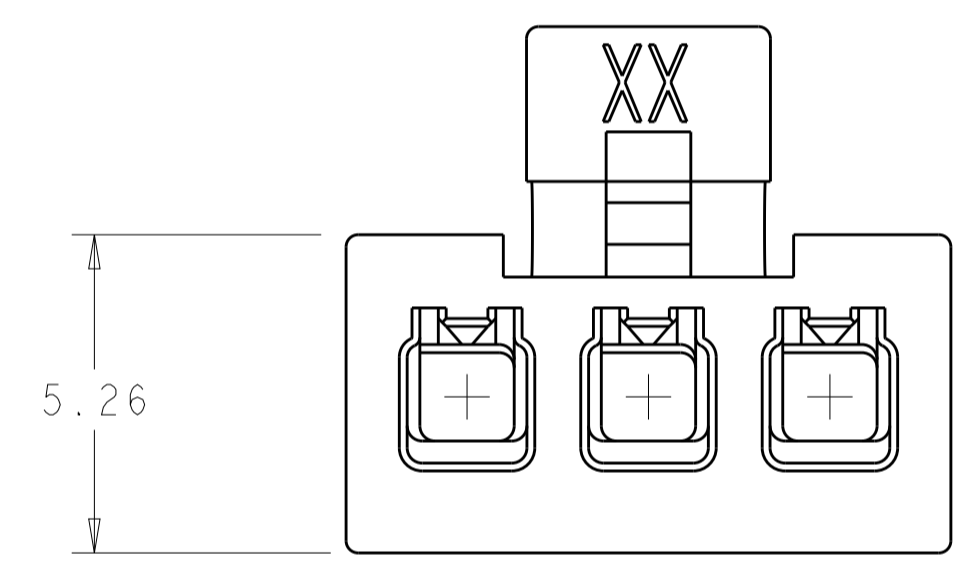
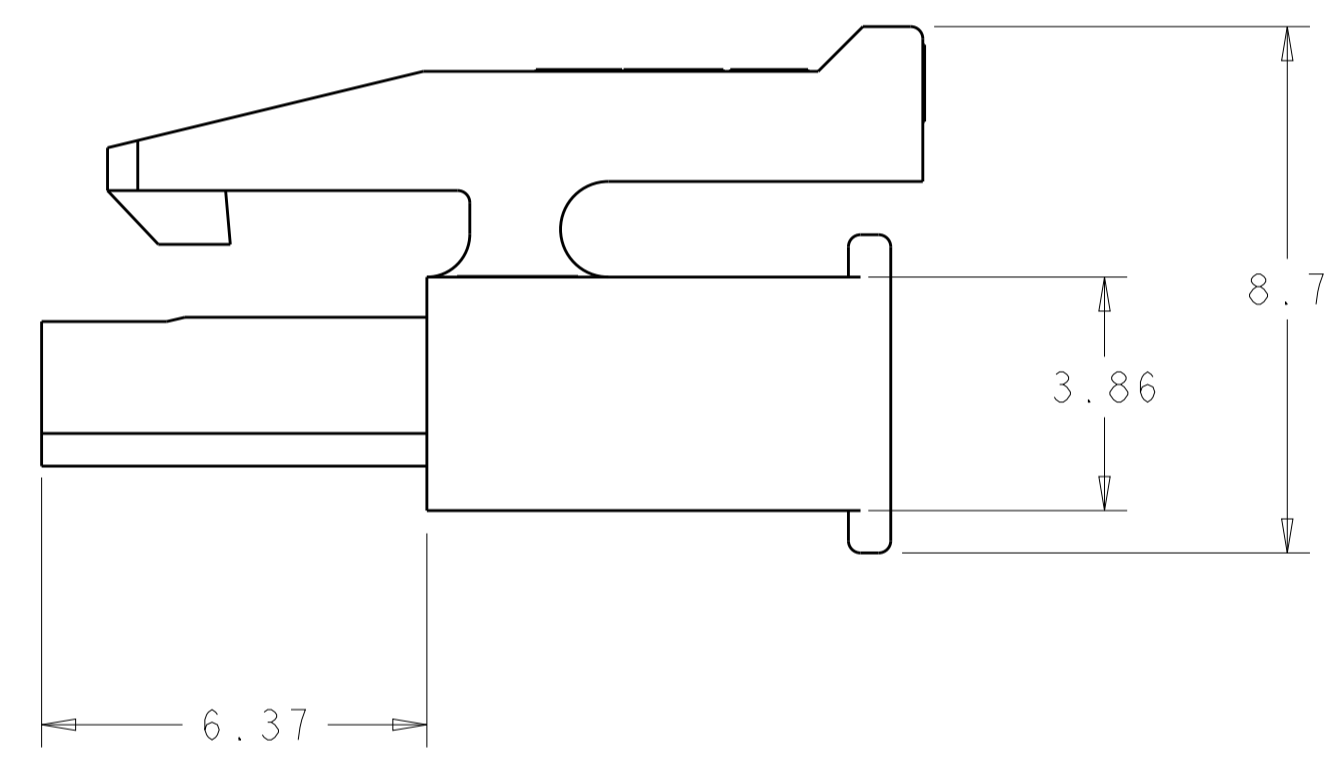
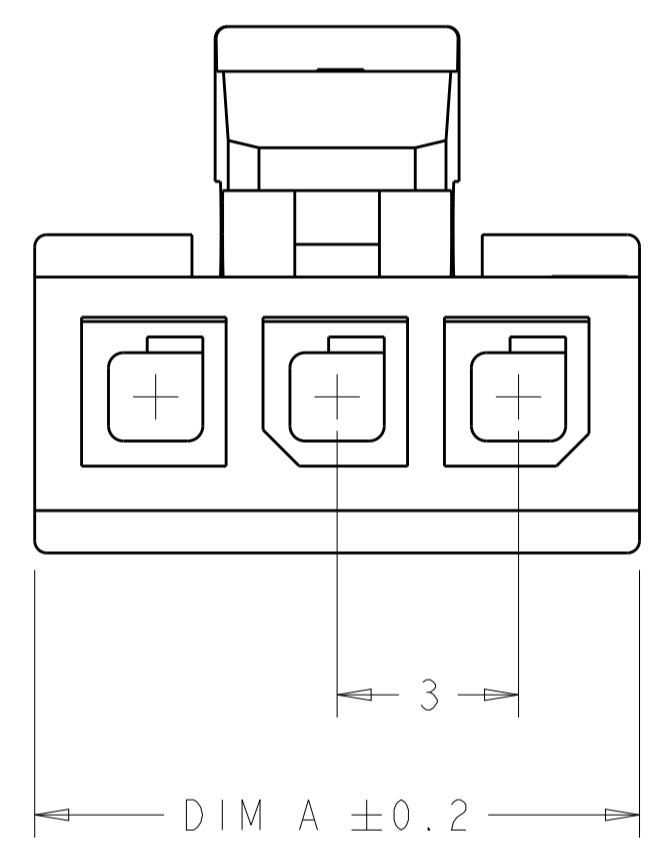
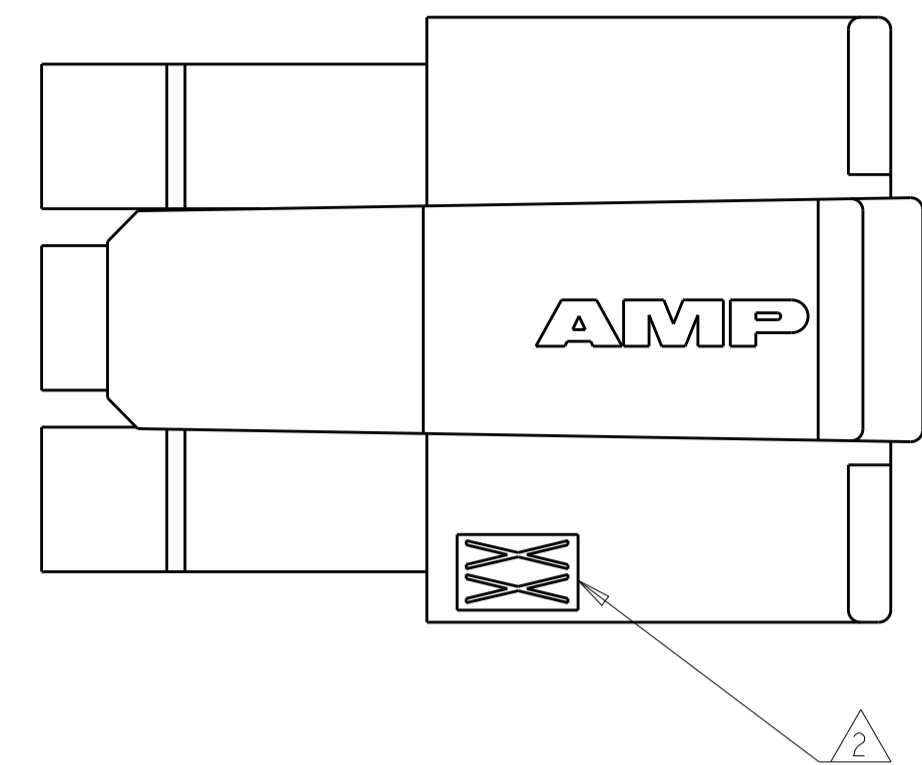


| LOC | DIST | REVISIONS | | | | | |
|-----|------|-----------|-----|---------------|-----------|-----|------|
| | | P | LTM | DESCRIPTION | DATE | DWN | APVD |
| | | A | | ECR 10-022158 | 03NOV10 | JR | TM |
| | | B | | ECO-17-000100 | 03MAR2017 | CX | DZ |
| | | B1 | | ECO-19-004882 | 10APR19 | AP | WS |

⚠️ CIRCUIT 1 IDENTIFIER, LOCATED APPROXIMATELY AS SHOWN.
 ⚠️ LAST CIRCUIT IDENTIFIER, LOCATED APPROXIMATELY AS SHOWN.



| VOLUME mm ³ | DIM A | NO OF POS. | PART NO. |
|------------------------|-------|------------|-----------|
| 525.93 | 16 | 5 | 1586047-5 |
| 444.06 | 13 | 4 | 1586047-4 |
| 363.37 | 10 | 3 | 1586047-3 |
| 282.64 | 7 | 2 | 1586047-2 |

| | | | |
|--|---|---|---|
| <small>THE DRAWING IS A COMPUTER GENERATED FILE FROM TYCO ELECTRONICS CORPORATION. IT IS SUBJECT TO CHANGE AND SHOULD BE CONTROLLED AND DISTRIBUTION ORGANIZATION SHOULD BE CONTACTED FOR THE LATEST REVISION.</small> | | DWN: K. WHITAKER 06FEB2008 CHK: C. JONES 06FEB2008 APVD: C. JONES 06FEB2008 | Tyco Electronics Harrisburg, PA 17105-3608 |
| DIMENSIONS: mm | TOLERANCES UNLESS OTHERWISE SPECIFIED: 0 PLC ± 1 PLC ±0.13 2 PLC ± 3 PLC ± 4 PLC ± ANGLES ±1° FINISH - | NAME: RECEPTACLE HOUSING, SINGLE ROW MICRO MATE-L-LOK(TM) PRODUCT SPEC: 108-1836 APPLICATION SPEC: 114-13000 WEIGHT: - | SIZE: A1 CAGE CODE: 00779 DRAWING NO: 1586047 SCALE: 8:1 SHEET: 1 OF 1 REV: B1 |
| MATERIAL: NYLON, UL94V-0 NATURAL | | CUSTOMER DRAWING | |