

Printed-circuit board connector - MSTBV 2,5/ 2-GF-5,08 EX - 1796322

Please be informed that the data shown in this PDF Document is generated from our Online Catalog. Please find the complete data in the user's documentation. Our General Terms of Use for Downloads are valid (<http://phoenixcontact.com/download>)

PCB headers, nominal current: 12 A, nominal current (Ex): 12 A, nominal voltage (Ex): 176 V, number of positions: 2, pitch: 5.08 mm, color: green, mounting: Wave soldering



The figure shows a 10-position version of the product

Your advantages

- ✔ Satisfies the more stringent safety requirements of "Ex eb" protection according to IEC 60079-7 for potentially explosive areas
- ✔ Screwable flange for superior mechanical stability
- ✔ Vertical connection enables multi-row arrangement on the PCB
- ✔ Well-known mounting principle allows worldwide use
- ✔ Closed contour for optimum stability of the plug-in connection



Key Commercial Data

Packing unit	50 pc
GTIN	
GTIN	4046356636438

Technical data

Dimensions

Length [l]	8.6 mm
Width	20.32 mm
Pitch	5.08 mm
Dimension a	5.08 mm
Width [w]	20.32 mm
Height [h]	15.9 mm
Height	12 mm
Length of the solder pin	3.9 mm
Length	8.6 mm

General

Printed-circuit board connector - MSTBV 2,5/ 2-GF-5,08 EX - 1796322

Technical data

General

Range of articles	MSTBV 2,5/...-GF-EX
Insulating material group	I
Rated voltage (III/3)	250 V
Connection in acc. with standard	EN-VDE
Nominal current I_N	12 A
Insulating material	PA
Flammability rating according to UL 94	V0
Color	green
Number of positions	2

Standards and Regulations

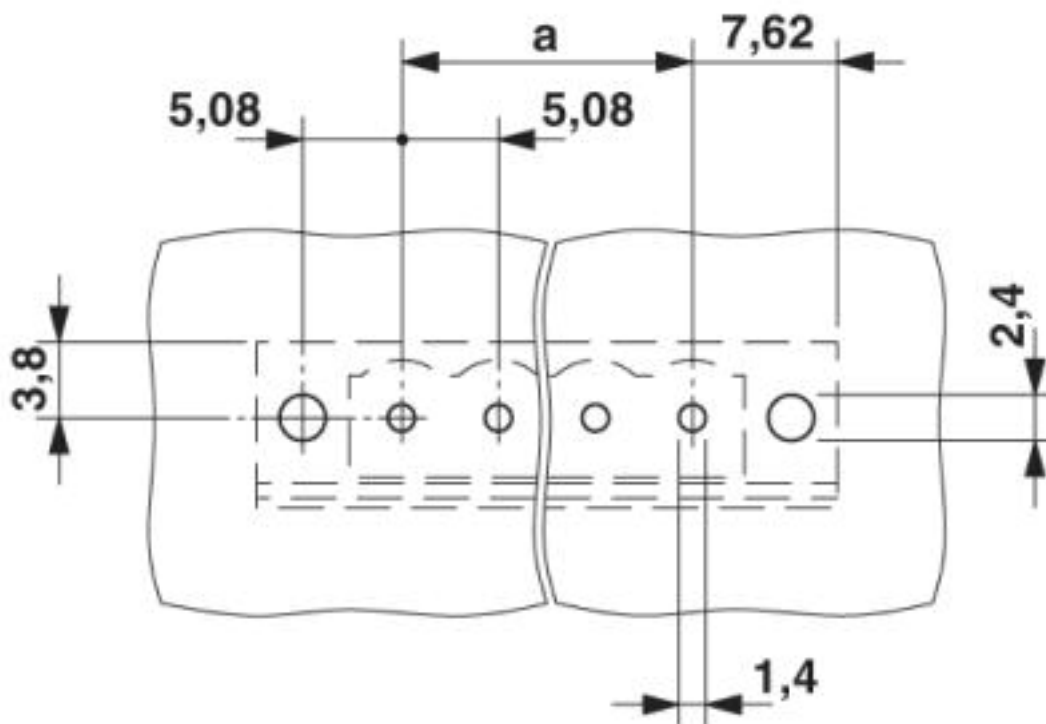
Connection in acc. with standard	EN-VDE
Flammability rating according to UL 94	V0

Environmental Product Compliance

	Lead 7439-92-1
China RoHS	Environmentally Friendly Use Period = 50
	For details about hazardous substances go to tab "Downloads", Category "Manufacturer's declaration"

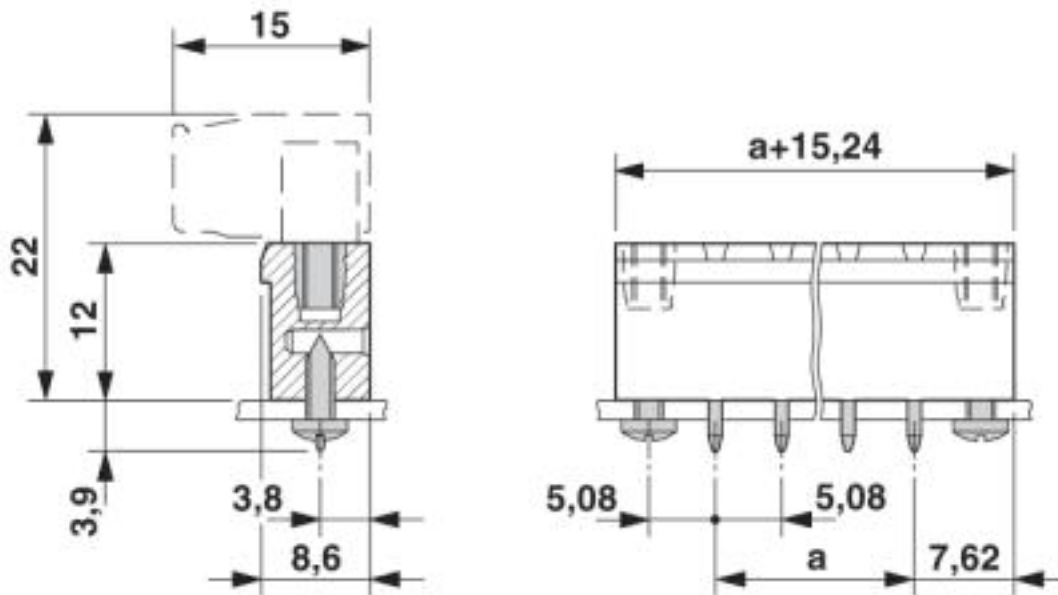
Drawings

Drilling diagram



Printed-circuit board connector - MSTBV 2,5/ 2-GF-5,08 EX - 1796322

Dimensional drawing



Approvals

Approvals

Approvals

EAC / cULus Recognized

Ex Approvals

IECEX / ATEX / EAC Ex

Approval details

EAC		B.01742
-----	--	---------

cULus Recognized		http://database.ul.com/cgi-bin/XYV/template/LISEXT/1FRAME/index.htm	E60425-19931011
	B	D	
Nominal voltage UN	300 V	150 V	
Nominal current IN	15 A	15 A	

Phoenix Contact 2019 © - all rights reserved
<http://www.phoenixcontact.com>

PHOENIX CONTACT GmbH & Co. KG
Flachmarktstr. 8
32825 Blomberg
Germany
Tel. +49 5235 300
Fax +49 5235 3 41200
<http://www.phoenixcontact.com>