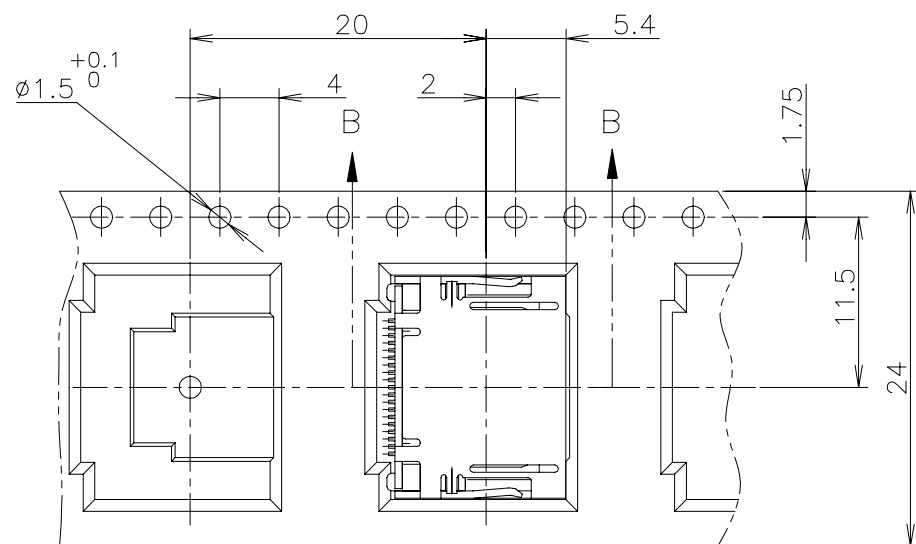
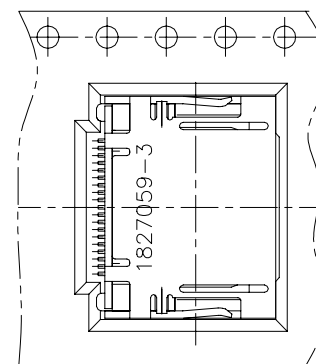


REVISIONS
変更

P	LTR	DESCRIPTION	DATE	DWN	APVD
F		REVISED PER ECN-22-178361	100OCT2022	AK	SZ



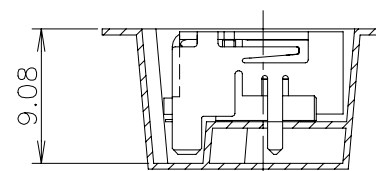
DETAIL A



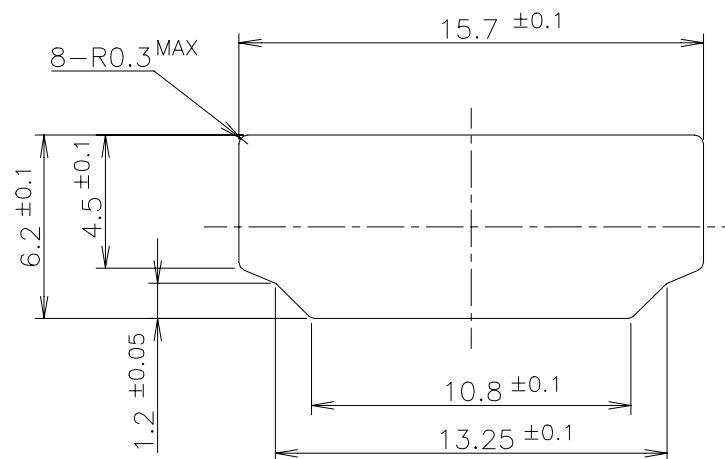
1827059-3 ONLY

- 1 CONTACT COPLANALITY IS 0.1 MAX.
- 2 FINISH
CONTACT: E μ m MIN. Au PL. ON CONTACT AREA (E: SEE TABLE)
Sn PL. ON SOLDERING AREA
Ni UNDER PL. ALL OVER
SHELL: Sn PL. (MATTE) ALL OVER
Ni UNDER PL. ALL OVER
- 3 LABEL DESCRIPTION

TYCO P/N: 1827059-*
QTY: 300 pcs
D/C:
MADE IN CHINA

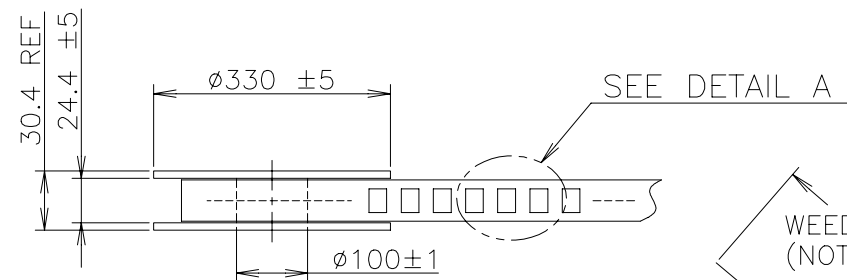


B-B



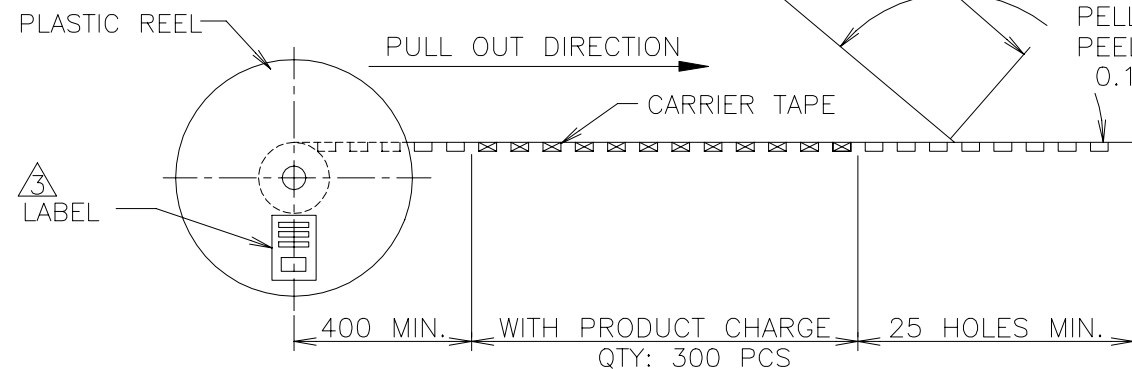
PANEL CUT OUT DIMENSION
(REFERENCE)

- 1 コンタクトコプラナリティーは 0.1 以下。
- 2 仕上
コンタクト: コンタクトエリアに E μ m 以上の 金めっき (E: 表参照)
半田付けエリアに すずめっき
ニッケル下地めっきを施す
シェル: すずめっき (MATTE)
ニッケル下地めっきを施す
- 3 ラベル表記: 英文注記参照



WEEDING THE COVER TAPE : 300 MIN
(NOT INCLUDE EMPTINESS POCKET)

PELLING ANGLE: 165°~180°
PEELING STRENGTH:
0.1~0.7N (300mm/min.)



	300	0.76	1.8	1.8	(SEE SHEET 3)	WITH BOSS	1827059-5
OBSOLETE	300	0.3	-	-	(SEE SHEET 3)	WITH BOSS	1827059-4
OBSOLETE	300	0.76	2.2	2.2	(SEE SHEET 3)	WITH BOSS	1827059-3
OBSOLETE	300	0.3	-	-	(SEE SHEET 2)	WITHOUT BOSS	1827059-2
	300	0.76	-	-	(SEE SHEET 2)	WITHOUT BOSS	1827059-1

QTY	E	D	C	CONNECTOR	BOSS	PART NUMBER
	Au PL.	DIMENSION		PART LIST		

THIS DRAWING IS A CONTROLLED DOCUMENT.

DIMENSIONS: 単位: 耗 mm	TOLERANCES UNLESS OTHERWISE SPECIFIED: 一般公差
	0 PLC ±
	1 PLC ±
	2 PLC ± ±0.3
	3 PLC ±
	4 PLC ±
	ANGLES ±

MATERIAL 材料	FINISH 仕上
PET	COVER TAPE
PS	CARRIER TAPE
PLASTIC	REEL
MATERIAL	DESCRIPTION

DWN	Y.HIRATA	22OCT2004
CHK	T.KIMURA	22OCT2004
APVD	K.IKEGAMI	22OCT2004
PRODUCT SPEC	製品規格	
APPLICATION SPEC	取付適用規格	
108-78180		
WEIGHT		
CUSTOMER DRAWING		

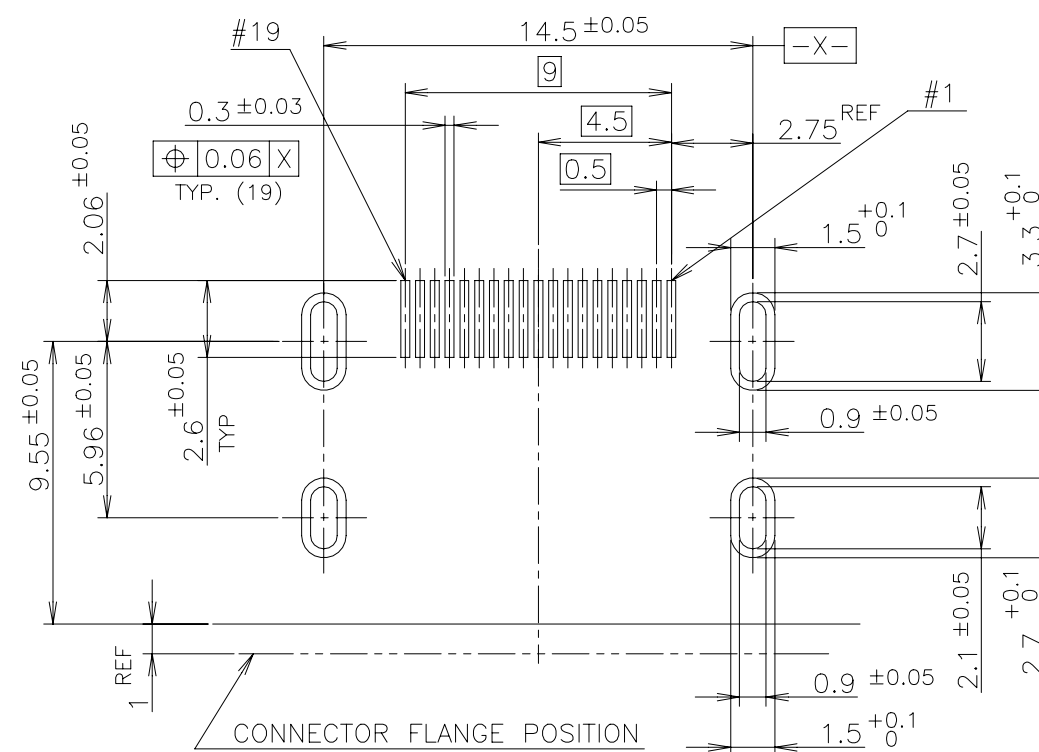
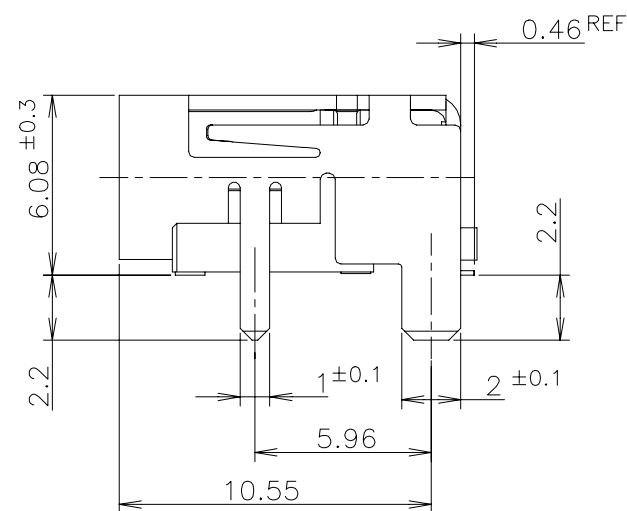
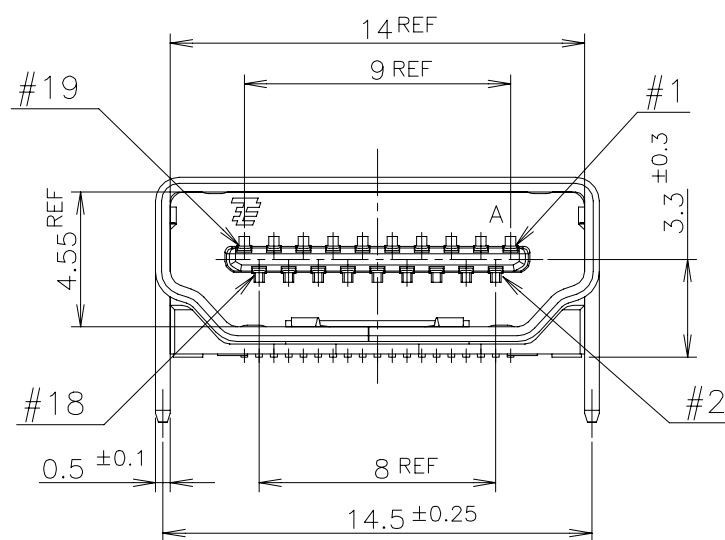
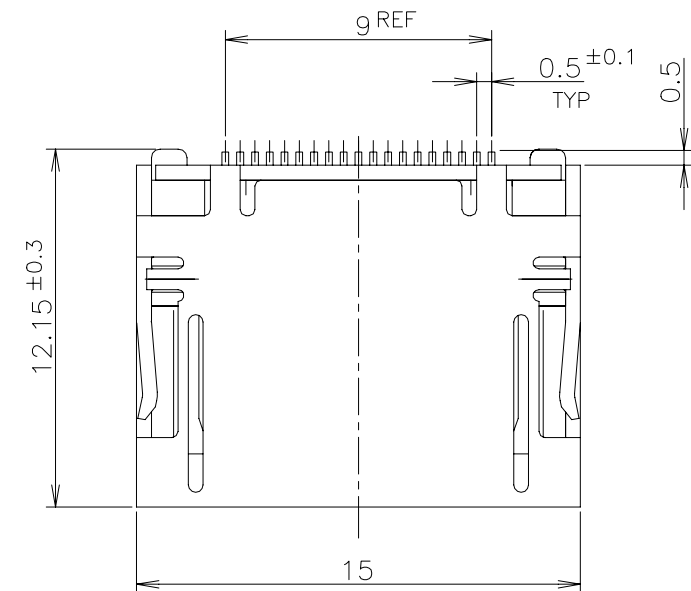
TE TE Connectivity Ltd.

HDMI 19 POS
RECEPTACLE ASSY SMT TYPE S

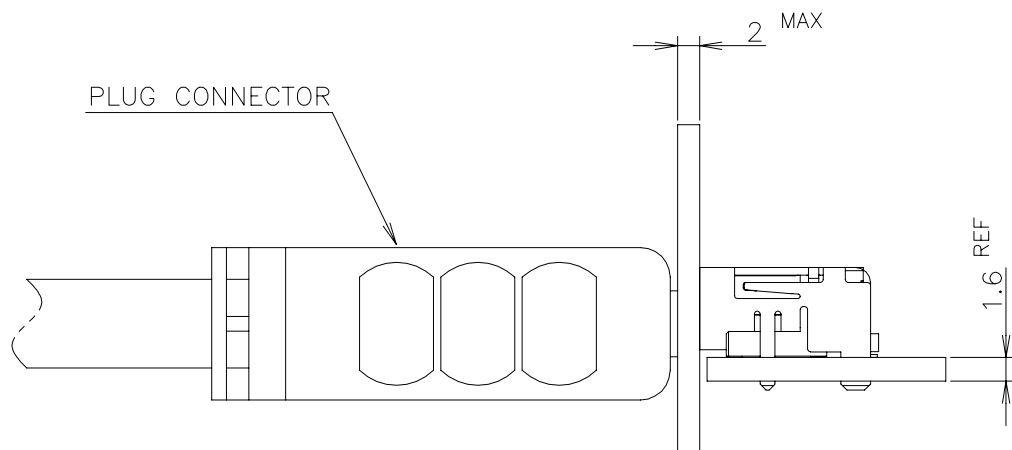
SIZE	CAGE CODE	DRAWING NO 番号	RESTRICTED TO
A3	00779	1827059	-

SCALE 尺度	SHEET	REV
4:1	1 of 3	F

P	LTR	DESCRIPTION	DATE	DWN	APVD
-	-	SEE SHEET 1	-	-	-



P.C.B LAYOUT
SHOWN AS CONNECTOR MOUNTING SIDE
TOLERANCE: NON-CUMULATIVE
(REFERENCE)



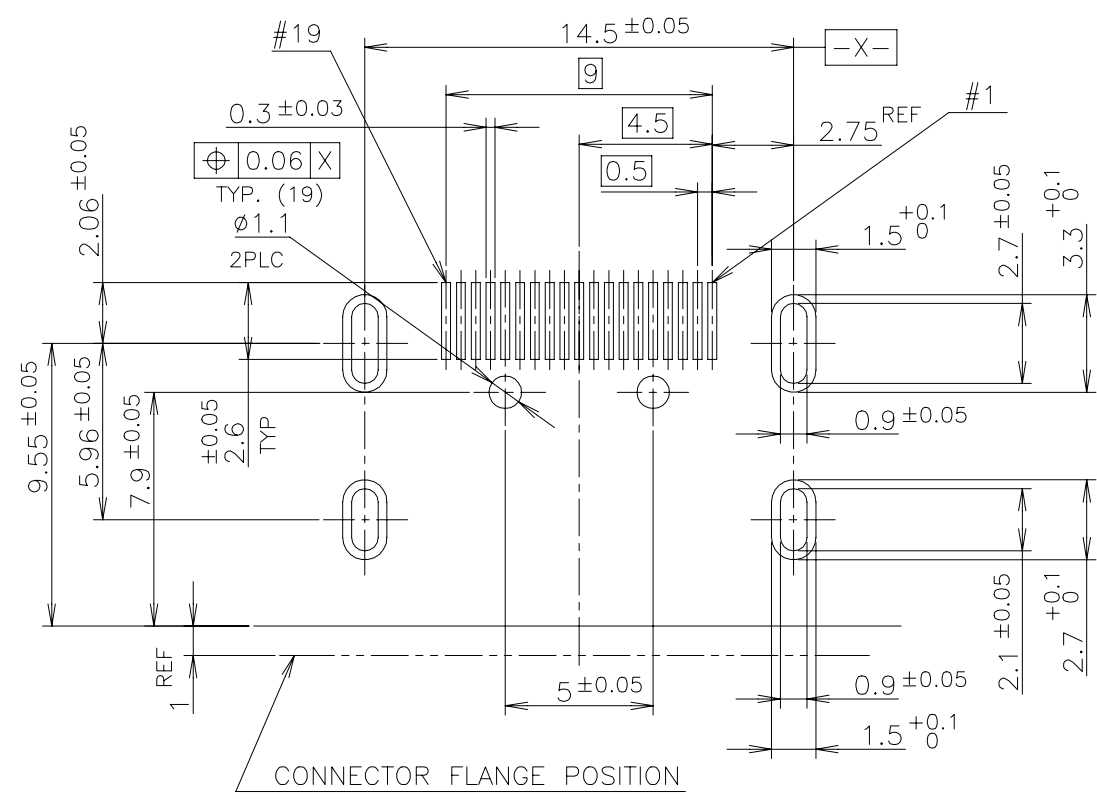
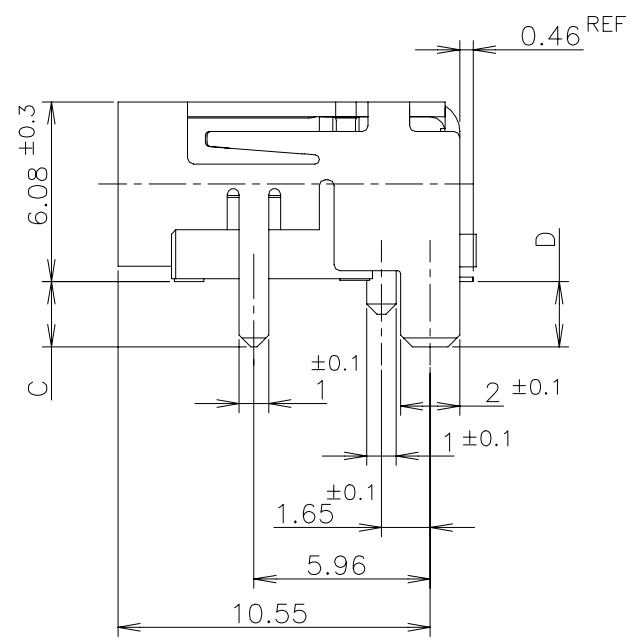
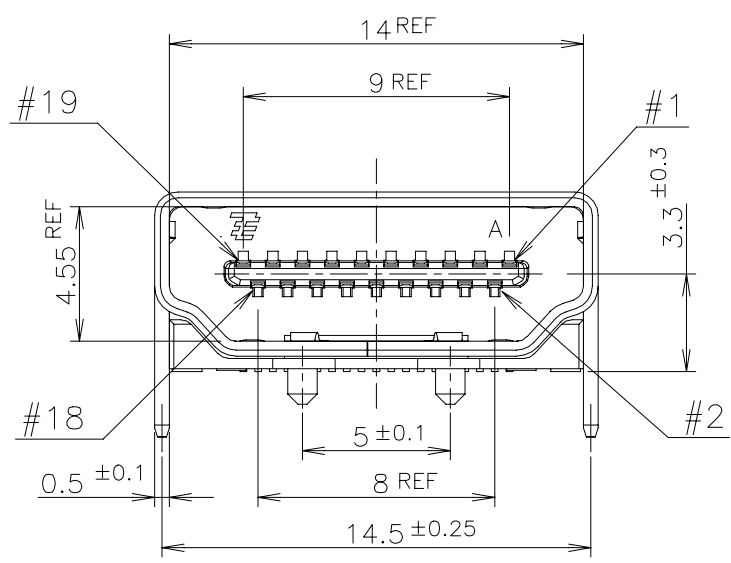
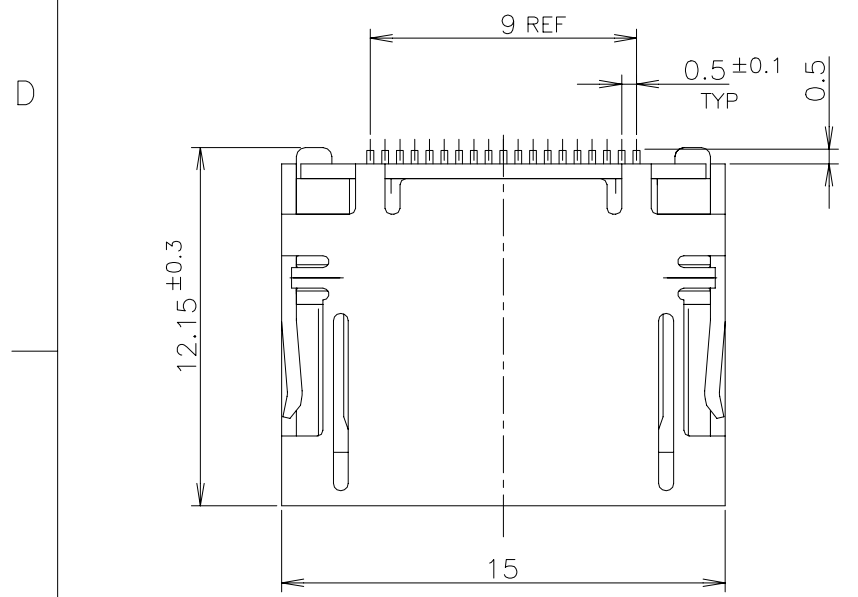
MATING CONDITION (REFERENCE)
(SCALE 2:1)

CONNECTOR WITHOUT BOSS TYPE

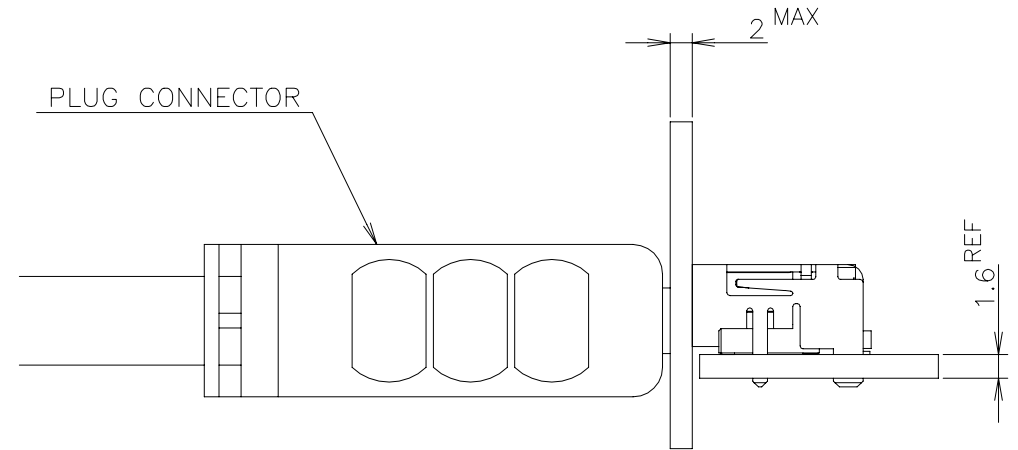
BRASS	CONTACT	3
PHOSPHOR BRONZE	SHELL	2
THERMOPLASTIC UL94V-0, BLACK COLOR	HOUSING	1
MATERIAL	DESCRIPTION	ITEM

THIS DRAWING IS A CONTROLLED DOCUMENT.		DWN		TE Connectivity Ltd.	
DIMENSIONS: 單位: 耗 mm		CHK			
TOLERANCES UNLESS OTHERWISE SPECIFIED: 一般公差		APVD			
0 PLC ± 0.2 1 PLC ± 0.2 2 PLC ± 0.2 3 PLC ± 0.2 4 PLC ± 0.2 ANGLES ± 2°		PRODUCT SPEC 製品規格 APPLICATION SPEC 取付適用規格			
MATERIAL 材料		FINISH 仕上		NAME 名称 HDMI 19 POS RECEPTACLE ASSY SMT TYPE S	
		WEIGHT		SIZE A3 CAGE CODE 00779 DRAWING NO 番号 1827059 RESTRICTED TO —	
		CUSTOMER DRAWING		SCALE 尺度 2:1 SHEET 2 of 3 REV F	

REVISIONS 変更					
P	LTR	DESCRIPTION	DATE	DWN	APVD
-	-	SEE SHEET 1	-	-	-



P.C.B LAYOUT
SHOWN AS CONNECTOR MOUNTING SIDE
TOLERANCE: NON-CUMULATIVE
(REFERENCE)



CONNECTOR WITH BOSS TYPE

BRASS	CONTACT	3
PHOSPHOR BRONZE	SHELL	2
THERMOPLASTIC UL94V-0, BLACK COLOR	HOUSING	1
MATERIAL	DESCRIPTION	ITEM

THIS DRAWING IS A CONTROLLED DOCUMENT.		DWN
DIMENSIONS: 單位: 耗 mm		CHK
TOLERANCES UNLESS OTHERWISE SPECIFIED: 一般公差		APVD
0 PLC ± 0.2	1 PLC ± 0.2	PRODUCT SPEC 製品規格
2 PLC ± 0.2	3 PLC ± 0.2	APPLICATION SPEC 取付適用規格
4 PLC ± 0.2	ANGLES ± 2'	WEIGHT
MATERIAL 材料	FINISH 仕上	CUSTOMER DRAWING

TE Connectivity Ltd.			
NAME 名称 HDMI 19 POS RECEPTACLE ASSY SMT TYPE S			
SIZE	CAGE CODE	DRAWING NO 番号	RESTRICTED TO
A3	00779	C-1827059	-
SCALE 尺度 4:1		SHEET 3 of 3	REV F