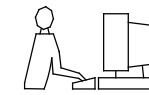


TOLERANCE  
UNLESS OTHERWISE  
SPECIFIED

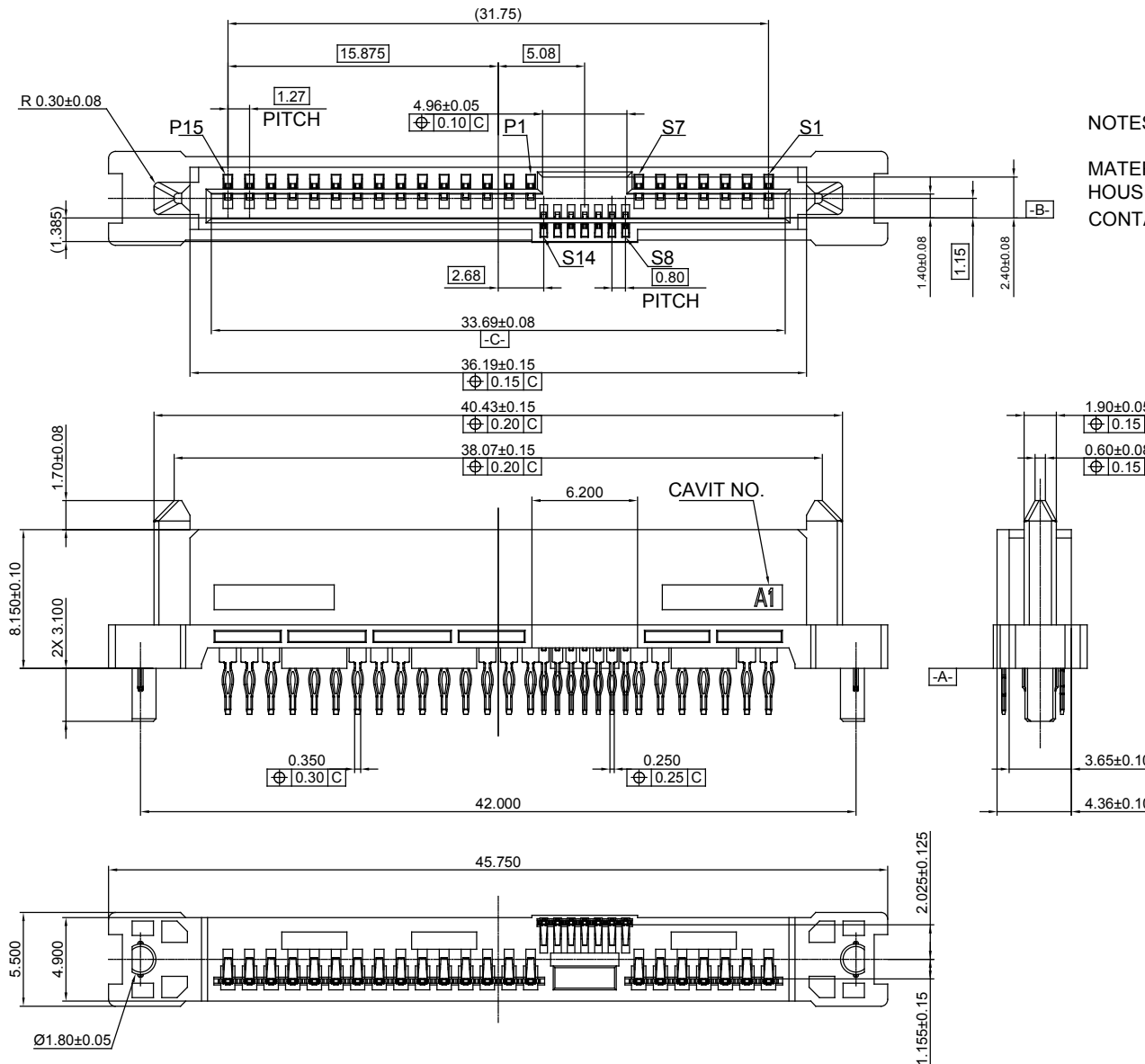
.X	±0.35
.XX	±0.25
.XXX	±0.15

THIS IS A C.A.D. GENERATED DRAWING  
DO NOT MAKE MANUAL REVISIONS TO MASTER.



ISSUE NUMBER

ORIGINAL	①
UPDATE DRAWING Y.Z DEC.20/2018	②



NOTES:

MATERIAL:  
HOUSING:  
CONTACT:

L.C.P GLASS FILLED, UL-94V-0  
COPPER ALLOY, 30μ" GOLD PLATING ON CONTACT AREA  
MATTE TIN PLATING ON SOLDER TAIL OVER 50μ" MIN.  
NICKEL UNDER PLATING

3	PITCH 0.80 CONTACT	7	COPPER ALLOY	SEE NOTES
2	PITCH 1.27 CONTACT	22	COPPER ALLOY	SEE NOTES
1	HOUSING	1	GLASS FILLED LCP, UL94 V-0	BLACK
NO.	DESCRIPTION	QTY.	MATERIAL	FINISH/COLOR

SAS CONNECTOR, VERTICAL PRESS-FIT,  
29 CONTACTS, FEMALE

ACAD REFERENCE NO.: 272-029-631-002

DRAWN: W.T DATE: JULY.03 /2018

CHECKED: DATE:

SCALE: N.T.S SHEET 1 OF 2

DRAWING NUMBER: 272-029-631-002 ISSUE

PART NUMBER: 272-029-631-002 2



THIS SERIES FULLY CONFORMS TO  
THE EUROPEAN UNION DIRECTIVES  
2011/65/EU FOR RoHS COMPLIANCY.



YOUR CONNECTION TO QUALITY & SERVICE

EDAC INC  
TORONTO, ONTARIO  
CANADA

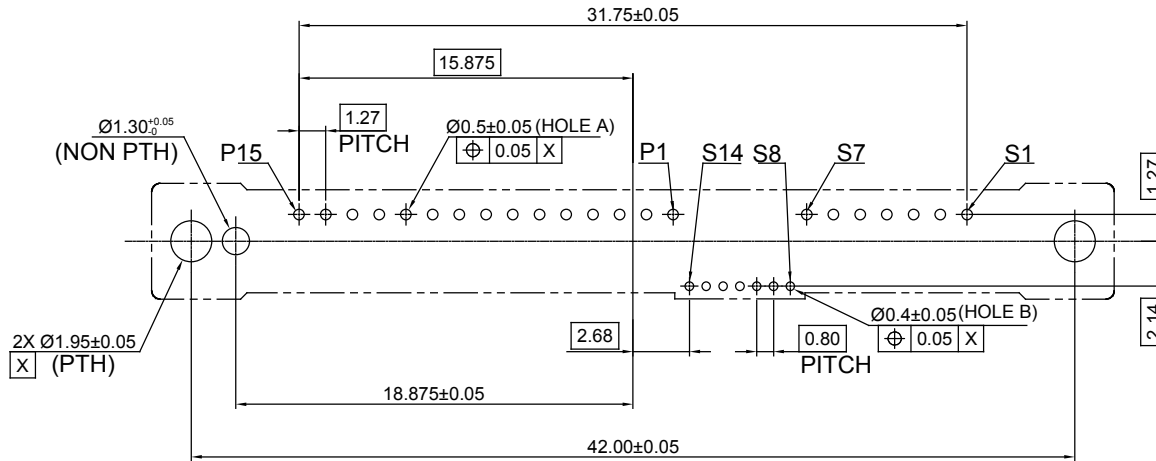
THESE DRAWINGS AND SPECIFICATIONS  
ARE THE PROPERTY OF EDAC INC., AND  
SHALL NOT BE REPRODUCED, OR COPIED  
OR USED AS THE BASIS FOR THE  
MANUFACTURE OR SALE OF APPARATUS  
WITHOUT WRITTEN PERMISSION.

TOLERANCE UNLESS OTHERWISE SPECIFIED	
.X	±0.35
.XX	±0.25
.XXX	±0.15

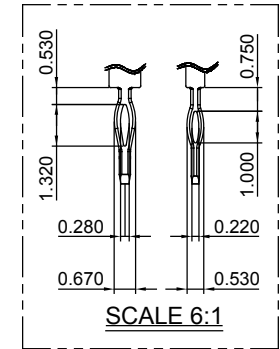
THIS IS A C.A.D. GENERATED DRAWING  
DO NOT MAKE MANUAL REVISIONS TO MASTER.



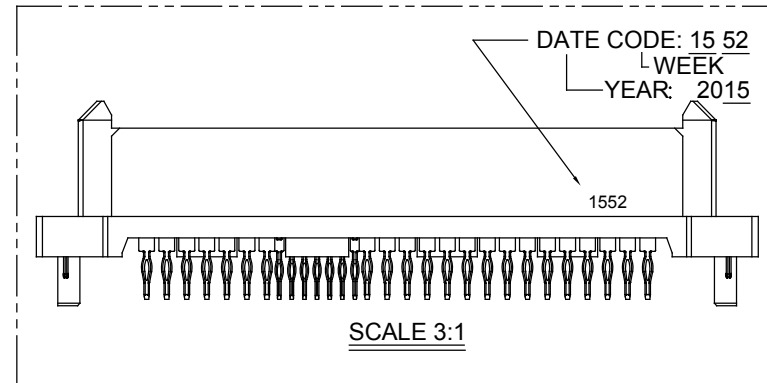
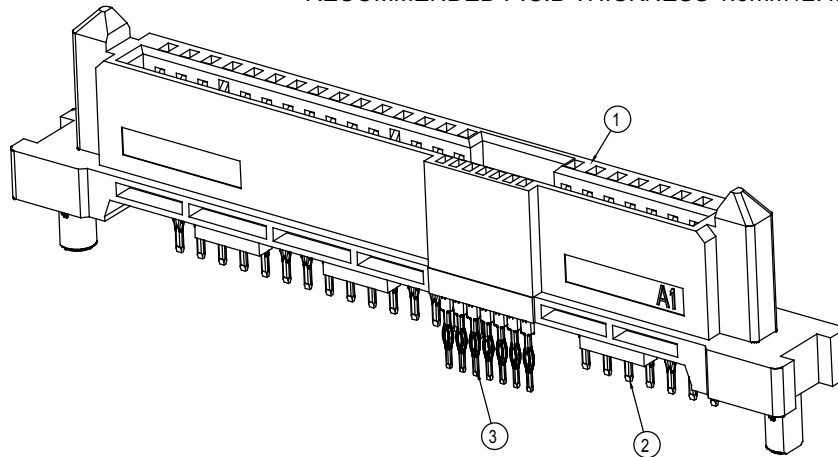
ISSUE NUMBER  
ORIGINAL ①



HOLE	A	B
HOLE DIAMETER AFTER PLATING	0.45~0.55mm	0.35~0.45mm
DRILLED HOLE	0.58~0.62mm	0.47~0.51mm
COPPER PLATING	25~50um	25~50um
SN' PLATING	5~15um	5~15um



RECOMMENDED P.C.B LAYOUT  
RECOMMENDED P.C.B THICKNESS 1.6mm /2.4mm



3	PITCH 0.80 CONTACT	7	COPPER ALLOY	SEE NOTES
2	PITCH 1.27 CONTACT	22	COPPER ALLOY	SEE NOTES
1	HOUSING	1	GLASS FILLED LCP, UL94 V-0	BLACK
NO.	DESCRIPTION	QTY.	MATERIAL	FINISH/COLOR

### SAS CONNECTOR, VERTICAL PRESS-FIT, 29 CONTACTS, FEMALE

ACAD REFERENCE NO.: 272-029-631-002

DRAWN: W.T DATE: JULY.03 /2018

CHECKED: DATE:

SCALE: N.T.S SHEET 2 OF 2

DRAWING NUMBER: 272-029-631-002 ISSUE

PART NUMBER: 272-029-631-002 2



THIS SERIES FULLY CONFORMS TO  
THE EUROPEAN UNION DIRECTIVES  
2011/65/EU FOR RoHS COMPLIANCY.



YOUR CONNECTION TO QUALITY & SERVICE

EDAC INC  
TORONTO, ONTARIO  
CANADA

THESE DRAWINGS AND SPECIFICATIONS  
ARE THE PROPERTY OF EDAC INC., AND  
SHALL NOT BE REPRODUCED, OR COPIED  
OR USED AS THE BASIS FOR THE  
MANUFACTURE OR SALE OF APPARATUS  
WITHOUT WRITTEN PERMISSION.