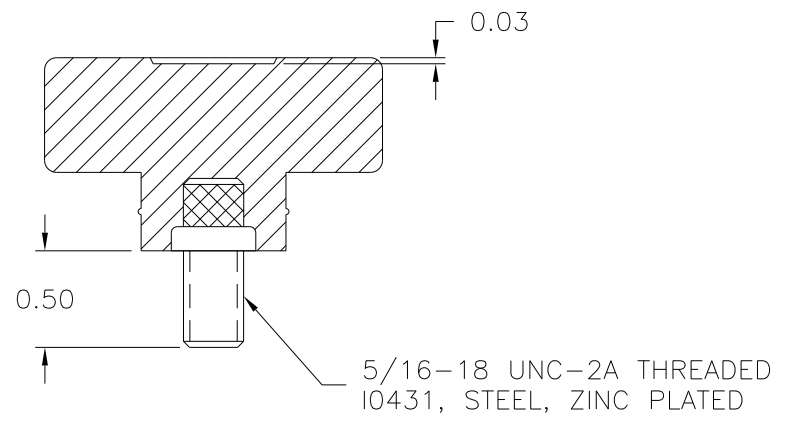
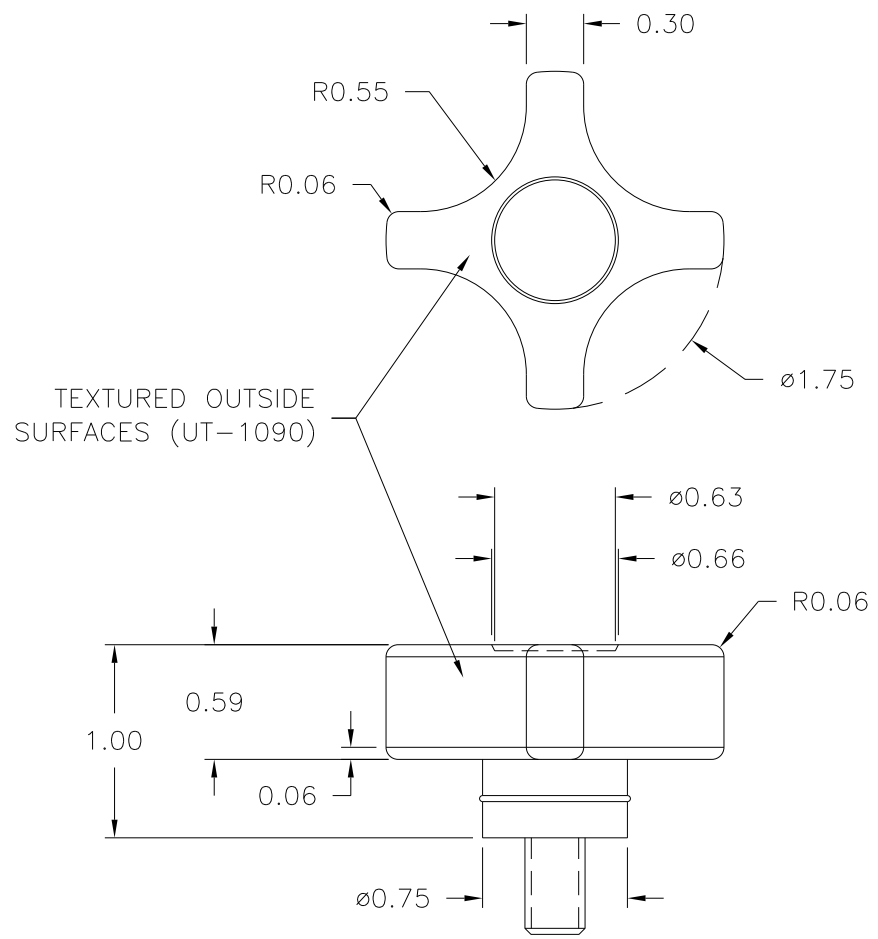


PART NAME: KNOB SCALE: 1:1 DATE: 3/16/94 DR. BY HD

THIS DRAWING IS THE PROPERTY OF DAVIES MOLDING COMPANY, IS SUBMITTED SOLELY AS A DESIGN OR ENGINEERING PROJECT. WE ACCEPT NO RESPONSIBILITY WHATSOEVER FOR THE PRACTICAL APPLICATION OF THE PIECES MADE TO THIS DESIGN.



| | |
|------------------|--------|
| P/N | 2825-D |
| M ^{NO.} | 73 |
| CAVITY | 2825 |
| CORE | 2825 |
| CAVITY PLUG | 2825 |
| SLEEVE | 2825 |
| PIN | 2825-D |
| INSERT | I0431 |



(B) MATERIAL: NYLON 6/6 (ZY2), (ZY6)
OR ENGINEERING APPROVED EQUIVALENT
COLOR: BLACK

| | | | | | |
|---|----------------------------------|---|-----------------|-----|----------|
| TOLERANCES: UNLESS OTHERWISE SPECIFIED | DO NOT SCALE DRAWING | B | ADDED ZY6 | JAM | 7/13/12 |
| DECIMALS: X.XXX ± .005 X.XX ± .015 | MM: X.XX ± 0.15MM X.X ± 0.4MM | A | ADDED MAT. CODE | JAM | 12/28/06 |
| FRACTIONS ± 1/64 | ANG. ± 1° | - | REDRAWN | TL | 11/22/99 |
| CHANGES | | | | | |