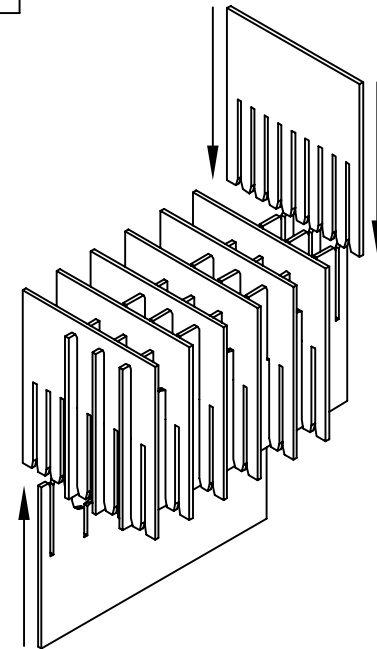
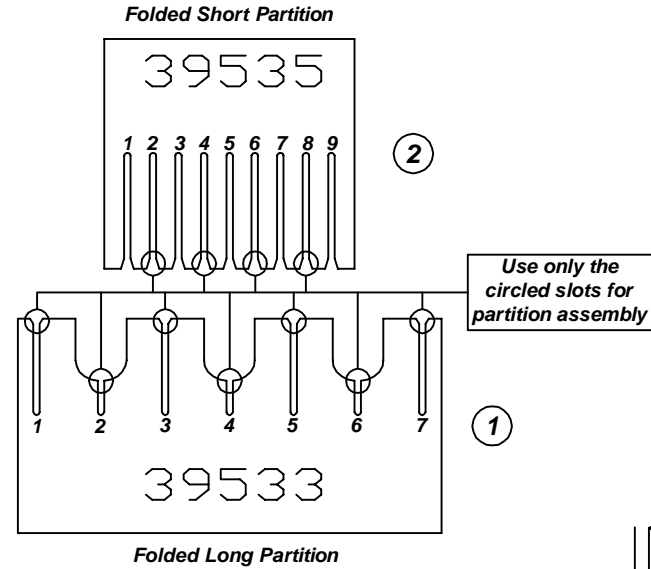
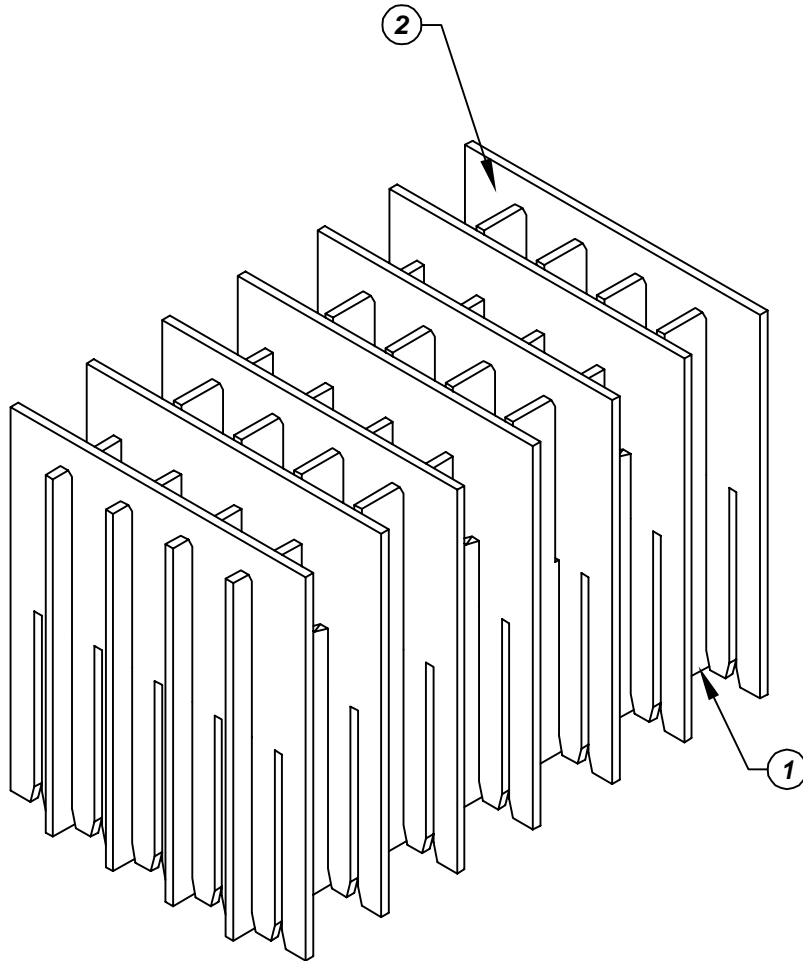


# Assembly Instructions for - 37169



Made in America

F/N ①	Part # 39533	Dimensions: 20-7/8" x 16-5/8"	Description: 402-LP Long Partition	Qty: 4
F/N ②	Part # 39535	Dimensions: 22-3/8" x 9-13/16"	Description: 402-SP Short Partition	Qty: 7

**37169 - 30 Cell Inplant Handler**  
**Cell Size - 11-1/4" x 2-1/4" x 1-3/4"**

Notes:  
 For use with the following storage container & lid:  
 37502 - Storage Container  
 37550 - Lid

PROTEKTIVE PAK  
 13520 MONTE VISTA AVENUE, CHINO, CA 91710  
 PHONE (909) 627-2578, FAX (909) 363-7331  
 ProtektivePak.com

**PROTEKTIVE PAK**  
 BURIED CONDUCTIVE LAYER

DRAWING NUMBER  
**IPH-37169**

DATE  
 Dec.  
 2007