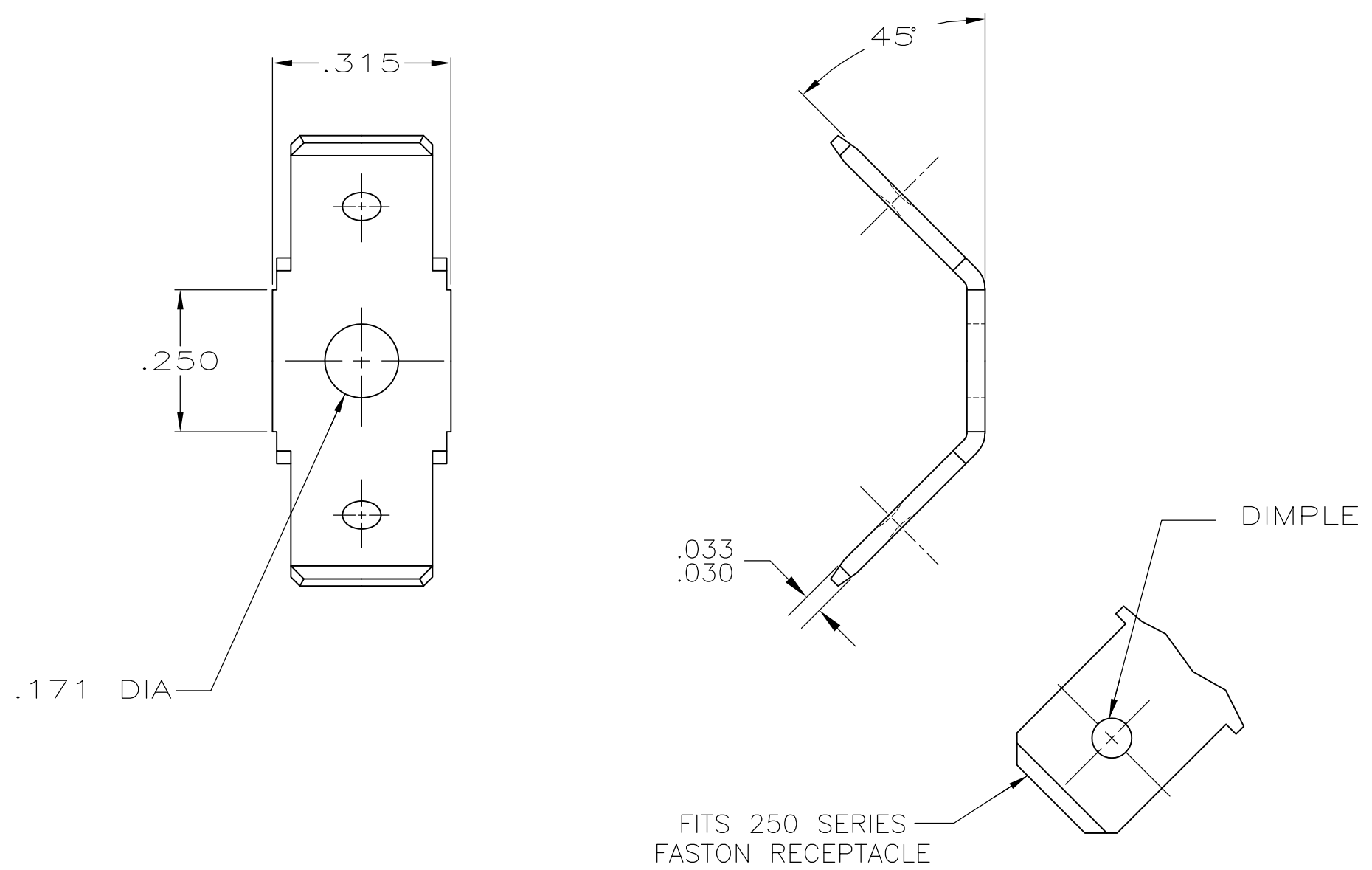



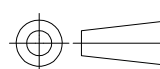
THIS DRAWING IS UNPUBLISHED. RELEASED FOR PUBLICATION
 © COPYRIGHT - By - ALL RIGHTS RESERVED.

LOC	DIST	REVISIONS			
P	LTR	DESCRIPTION	DATE	DWN	APVD
AF	50	AB	REVISED PER ECR-13-011489	07DEC2013	KH PD

1 SUPPLIED IN LOOSE PIECE.



-	-
-	41616
FINISH	PART NUMBER

THIS DRAWING IS A CONTROLLED DOCUMENT.		DWN	26SEP2002	 TE Connectivity			
DIMENSIONS: INCHES		CHK	26SEP2002				
		APVD	26SEP2002				
TOLERANCES UNLESS OTHERWISE SPECIFIED:		NAME					
0 PLC ± - 1 PLC ± - 2 PLC ± - 3 PLC ± .010 4 PLC ± - ANGLES ± -		PRODUCT SPEC		TAB, FASTON, LOOSE PIECE, .250 SERIES			
MATERIAL: BRASS		FINISH	SEE TABLE	SIZE	CAGE CODE	DRAWING NO	RESTRICTED TO
				WEIGHT	-	A3 00779 C-41616	-
CUSTOMER DRAWING				SCALE	4:1	SHEET	1 OF 1
				REV	AB		