

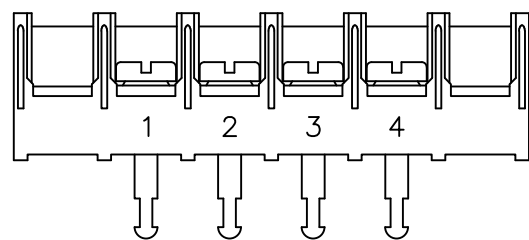
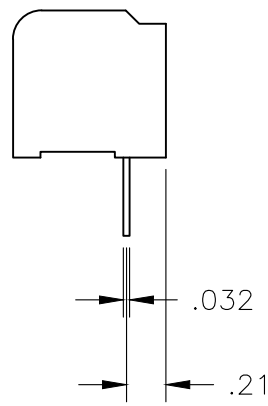
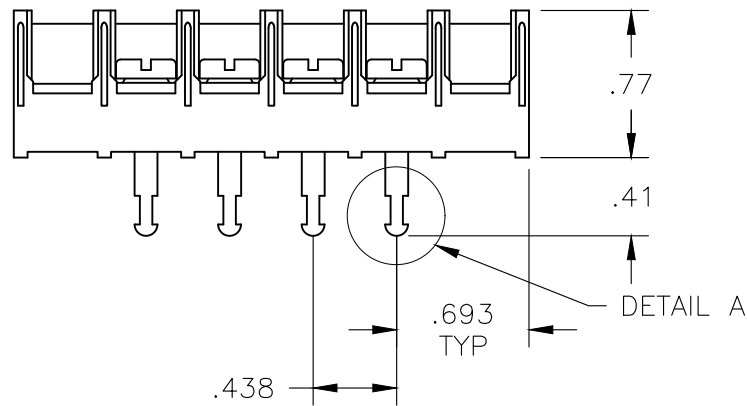
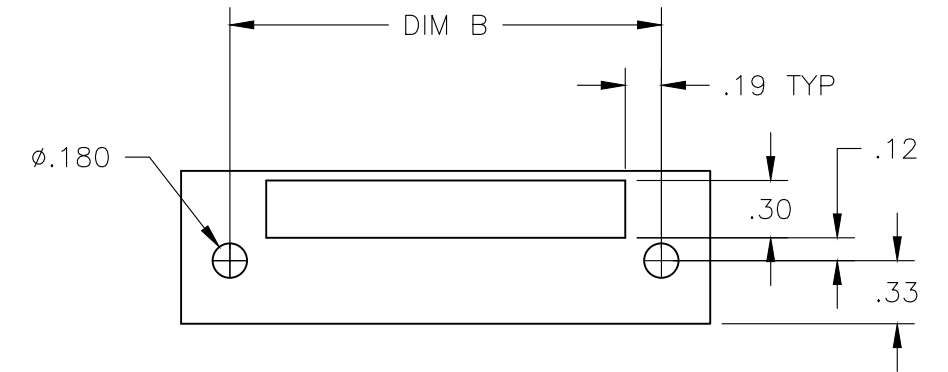
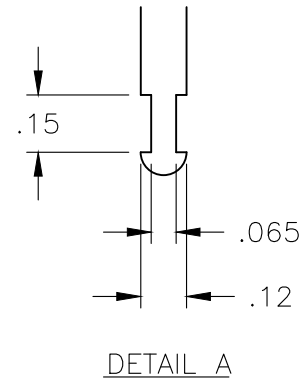
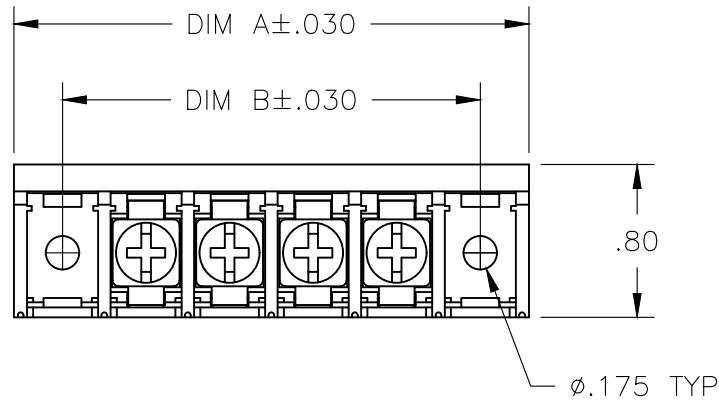
THIS DRAWING IS UNPUBLISHED. RELEASED FOR PUBLICATION

© COPYRIGHT - TE Connectivity Ltd.

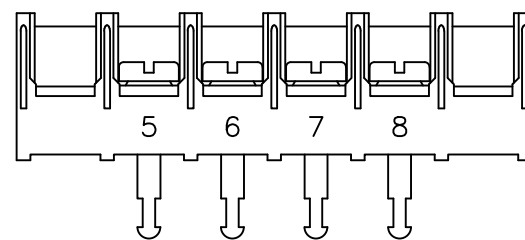
ALL RIGHTS RESERVED.

REVISIONS

| P | LTR | DESCRIPTION | DATE | DWN | APVD |
|---|-----|---------------------|-----------|-----|------|
| | D1 | PART STATUS UPDATED | 22JAN2018 | RK | PS |



1-796857-9



2-796857-0

| | | | | | |
|----------|-------|-------|-------------|-------------|-------------|
| OBSOLETE | 8.312 | 8.823 | 18 | 8STV-18-006 | 1-796857-8 |
| | 7.875 | 8.385 | 17 | 8STV-17-006 | 1-796857-7 |
| | 7.437 | 7.948 | 16 | 8STV-16-006 | 1-796857-6 |
| | 7.000 | 7.510 | 15 | 8STV-15-006 | 796857-2 |
| | 6.562 | 7.073 | 14 | 8STV-14-006 | 1-796857-4 |
| | 6.125 | 6.635 | 13 | 8STV-13-006 | 1-796857-3 |
| | 5.687 | 6.198 | 12 | 8STV-12-006 | 6-1437659-6 |
| | 5.250 | 5.760 | 11 | 8STV-11-006 | 1-796857-1 |
| | 4.812 | 5.323 | 10 | 8STV-10-006 | 6-1437659-4 |
| | 4.375 | 4.885 | 9 | 8STV-09-006 | 6-1437659-3 |
| | 3.937 | 4.448 | 8 | 8STV-08-006 | 796857-8 |
| | 3.500 | 4.010 | 7 | 8STV-07-006 | 796857-7 |
| | 3.062 | 3.573 | 6 | 8STV-06-006 | 796857-1 |
| 2.625 | 3.135 | 5 | 8STV-05-006 | 796857-6 | |
| 1 | 2.187 | 2.698 | 4 | 8STV-04-660 | 2-796857-0 |
| OBSOLETE | 2.187 | 2.698 | 4 | 8STV-04-659 | 1-796857-9 |
| OBSOLETE | 2.187 | 2.698 | 4 | 8STV-04-006 | 5-1437659-2 |
| | 1.750 | 2.260 | 3 | 8STV-03-006 | 4-1437659-8 |
| OBSOLETE | 1.313 | 1.823 | 2 | 8STV-02-006 | 796857-5 |

| DIM B | DIM A | NO OF POS | CATALOG NUMBER | TE PART NO |
|-------|-------|-----------|----------------|------------|
|-------|-------|-----------|----------------|------------|

MATERIAL:
 HOUSING: THERMOPLASTIC, UL94V-0, BLACK.
 TERMINALS: BRIGHT TIN PLATED COPPER ALLOY.
 SCREWS: 8-32, ZINC PLATED STEEL.

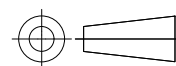
ELECTRICAL:
 CURRENT RATING: 30A
 VOLTAGE RATING: 600V
 WIRE RANGE: 10-18 AWG (UL)
 10-22 AWG (CSA)

ENVIRONMENTAL:
 RECOMMENDED TORQUE: 20 IN-LB.
 OPERATING TEMP.: -40°C TO +120°C

1 OBSOLETE PARTS: OBSOLETE CIS STREAMLINING PER D.RENAUD/D.SINISI

THIS DRAWING IS A CONTROLLED DOCUMENT.

DIMENSIONS: INCHES



| TOLERANCES UNLESS OTHERWISE SPECIFIED: | |
|--|--------|
| 0 PLC | ± - |
| 1 PLC | ± - |
| 2 PLC | ± .01 |
| 3 PLC | ± .005 |
| 4 PLC | ± - |
| ANGLES | ± 2' |

MATERIAL

DWN S SCHLEGEL 2/6/04

CHK H WAKEEM 2/6/04

APVD S YODER 2/6/04

PRODUCT SPEC

APPLICATION SPEC

WEIGHT

CUSTOMER DRAWING



NAME 8STV-XX-006 ASSEMBLY

SIZE A3 CAGE CODE 00779 DRAWING NO C-4-1437659-8 RESTRICTED TO

SCALE 1:1 SHEET 1 OF 1 REV D1