

4

3

2

1

THIS DRAWING IS UNPUBLISHED.

RELEASED FOR PUBLICATION

© COPYRIGHT

ALL RIGHTS RESERVED.

LOC DIST

REVISIONS

P	LTR	DESCRIPTION	DATE	DWN	APVD

REPLACED BY OCEAN STYLE APPLICATOR PART NUMBER

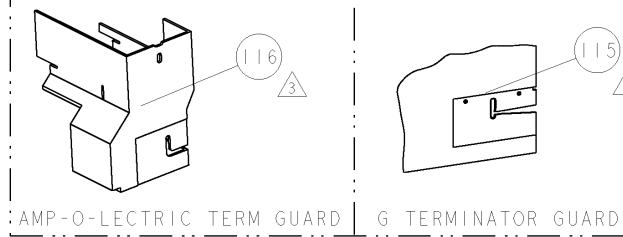
FOR REPLACEMENT PARTS FOR APPLICATOR REFER TO ADDITIONAL PAGE(S). SPARE PARTS KIT (IF LISTED) WILL REMAIN AVAILABLE.

THE REPLACEMENT OCEAN STYLE APPLICATOR HAS THE SAME TERMINATOR/PRESS INTERFACE AS APPLICATOR

THIS DRAWING IS A CONTROLLED DOCUMENT.		DWN	 TE Connectivity		
DIMENSIONS:		CHK			
TOLERANCES UNLESS OTHERWISE SPECIFIED:		APVD	NAME		
		PRODUCT SPEC	RESTRICTED TO		
		APPLICATION SPEC	SIZE	CAGE CODE	DRAWING NO
MATERIAL	FINISH	WEIGHT	A3	C-	
		SCALE	SHEET	OF	REV

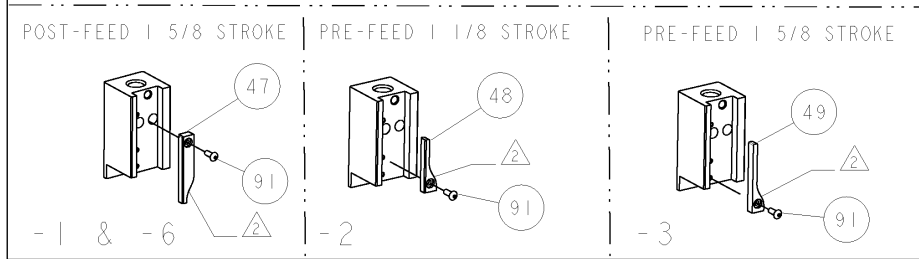
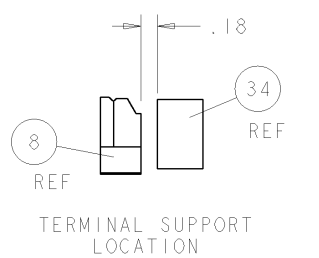
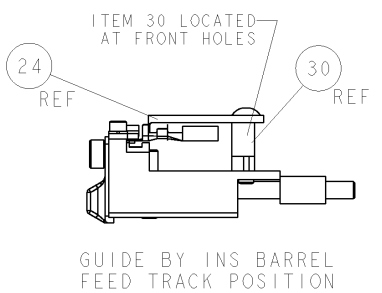
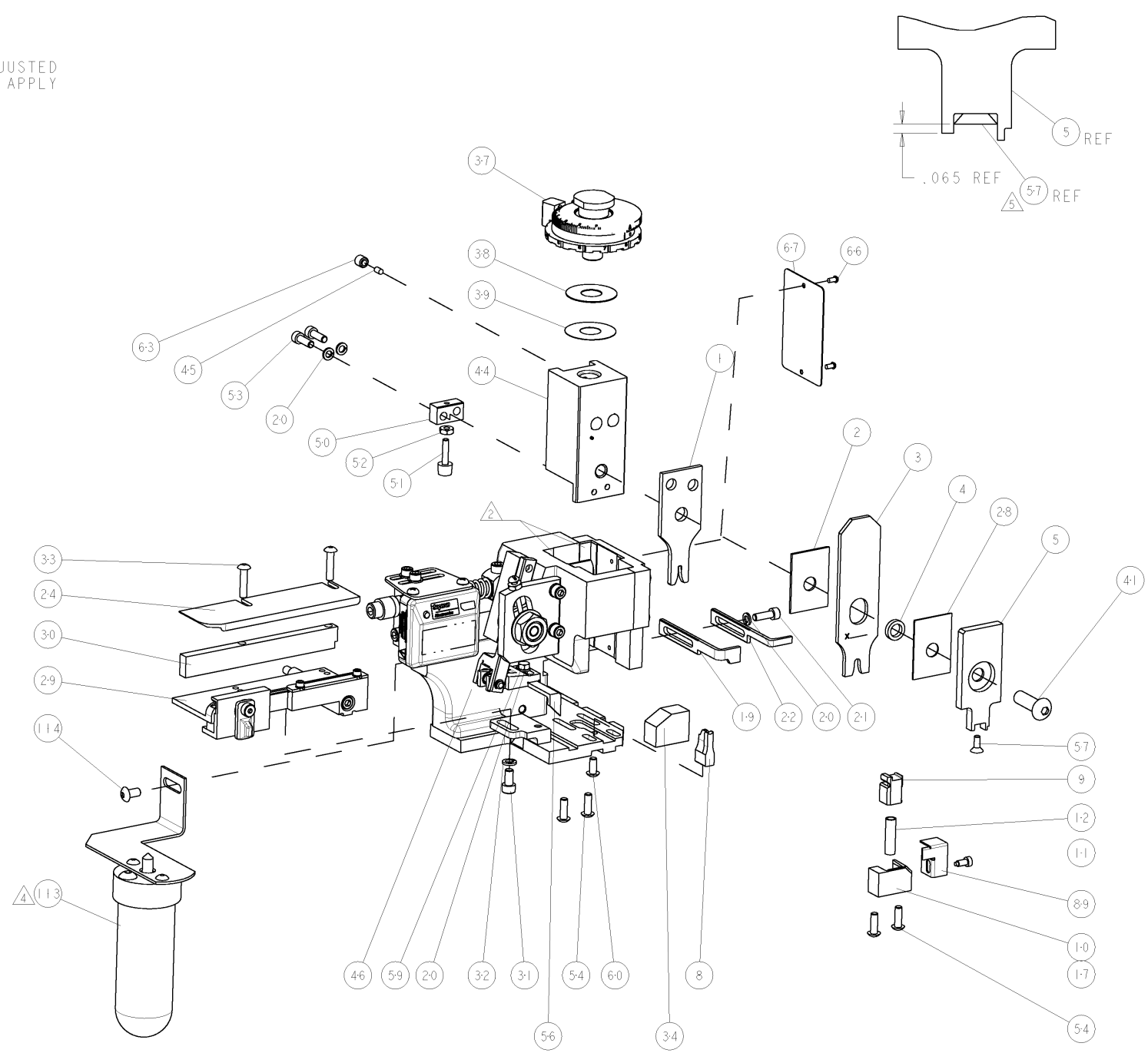
PART NUMBER	REV	FIRST USED	POWER UNIT	FEED TYPE	DESCRIPTION
1855034-1	A	122500-1	LEADMAKER	POST FEED	CUTS CARRIER
1855034-2	A	565435-5	BENCH MODEL K	PRE FEED	CUTS CARRIER
1855034-3	A	354500-1	BENCH MODEL G	PRE FEED	CUTS CARRIER
1855034-6	A	122500-1	LEADMAKER	POST FEED	CONTINUOUS CARRIER
7-1855034-7	A	-	-	-	SPARE PARTS

- ① RECOMMENDED SPARE PARTS
- ② GREASE LIGHTLY
- ③ GUARD MUST BE IN PLACE WHEN OPERATING APPLICATOR IN A BENCH MACHINE
- ④ LUBRICATION REQUIRED WHEN APPLYING GOLD OR SILVER PLATED CONTACTS
- ⑤ APPLY TORQ-SEAL IN ALLEN SOCKET TO FILL HOLE AFTER FLAT HD HAS BEEN ADJUSTED TO CORRECT HEIGHT AT QUALIFICATION. APPLY PN 1-23419-5 LOC-TITE TO THREADS.



TERMINAL NAME: JUNIOR POWER TIMER CONTACT					
REF SET	CRIMP HEIGHT	WIRE SIZE			
929939	-	AMP TERMINAL - AMP CRIMP SPECS			
963978	-				
927770	-				
-	B9	.054±.002[1.37±0.05mm]	1.0 mm ²		
-	C6	.050±.002[1.27±0.05mm]	0.75 mm ²		
-	D4	.046±.002[1.17±0.05mm]	0.5 mm ²		
SEAL PN.					
828904	-	WIRE	.080 [2.03mm]	F	0.5-1.0 mm ²
828905	-	INSUL	.160 [4.06mm]	O	∅.134 MAX
WIRE STRIP LENGTH		TERM APPL SPEC	FEED	APPL INSTRUCTIONS	SET UP GAGE
.165 - .180		114-18050	.551	408-8040	458637-1

REVISONS		DATE	OWN	APPD
A	RELEASED	04APR2006	MEH	GB
A1	ECR-08-007567	25MAR2008	MY	TE



③	-	-	REF	-	455749-1	GUARD WINDOW	116
③	-	REF	-	-	679532-1	INSERT, GUARD	115
-	-	-	-	-	2-21002-6	SCR, BTN SKT HD CAP 10-32 X .375	114
④	-	-	-	-	1-465184-0	LUBRICATOR ASSY	113
-	-	-	-	-	1-21002-7	SCR, BTN SKT HD CAP 6-32 X .375	91
-	-	-	-	-	318563-1	GUARD, FRONT CHIP	89
-	-	-	-	-	4088040	SF APPL INST 408-8040	72
-	-	-	-	-	217238-1	GENERAL INSTRUCTION PKG	71
-	-	-	-	-	461264-5	PLATE, IDENTIFICATION	67
-	2	2	2	2	21017-2	SCREW, DRIVE	66
-	-	-	-	-	21009-2	SCR, SET, SELF LOCKING 1/4-20 X .250	63
-	-	-	-	-	22733-8	SCR, BHSC, SELF-LOCKING, 8-32 X .375	60
-	-	-	-	-	2-22603-0	SCR, HEX HD CAP 8-32 X .312	59
⑤	-	-	-	-	1-21003-9	SCR, FLT SKT HD CAP 6-32 X .375	57
-	-	-	-	-	458537-2	PAWL, FEED	56
-	4	4	4	4	2-21002-2	SCR, BTN SKT HD CAP 8-32 X .500	54
-	2	2	2	2	2-21000-7	SCR, SKT HD CAP 8-32 X .500	53
-	-	-	-	-	21018-5	NUT, HEX, REG 6-32	52
-	-	-	-	-	811242-2	BUMPER, HOLD DOWN	51
-	-	-	-	-	690753-1	SPACER, TONKER	50
-	-	-	-	-	690602-6	CAM, PRE FEED, 1 5/8	49
-	-	-	-	-	690602-5	CAM, PRE FEED, 1 1/8	48
-	-	-	-	-	690501-4	CAM, POST FEED, 1 5/8	47
-	-	-	-	-	459456-1	APPL, BASIC SUB ASSY (SIDE WISE MOCA)	46
-	-	-	-	-	690191-1	PLUG, NYLON	45
-	-	-	-	-	455673-1	RAM, SIDE FEED	44
-	-	-	-	-	7-21002-9	SCR, BTN SKT HD CAP 5/16-24 X 1.00	41
-	-	-	-	-	690125-1	SHIM SUB-ASSY	39
-	-	-	-	-	469367-9	SHIM	38
-	-	-	-	-	879103-3	FINE ADJUST HEAD SUBASSY	37
-	-	-	-	-	690786-3	TERMINAL SUPPORT	34
-	2	2	2	2	2-21002-4	SCR, BTN SKT HD CAP 8-32 X .750	33
-	-	-	-	-	21024-5	WASHER, SPRG LOCK, REG NO 10	32
-	-	-	-	-	3-21000-4	SCR, SKT HD CAP 10-32 X .375	31
-	-	-	-	-	1320908-2	SPACER, STRIP GUIDE	30
-	-	-	-	-	1633091-3	ASSEMBLY, STRIP GUIDE	29
-	-	-	-	-	455888-6	SPACER, CRIMPER	28
-	-	-	-	-	1320928-1	PLATE, STRIP GUIDE	24
-	-	-	-	-	690472-2	STRIPPER	22
-	-	-	-	-	2-21000-7	SCR, SKT HD CAP 8-32 X .500	21
-	4	4	4	4	21024-4	WASHER, SPRG LOCK, REG NO 8	20
-	-	-	-	-	691353-1	STRIPPER	19
①	-	-	-	-	679625-3	SHEAR HOLDER, FRONT (NO CUT)	17
-	-	-	-	-	3-22280-3	SPRING, COMPRESSION	12
-	-	-	-	-	690461-2	STOP, SHEAR	11
②	-	-	-	-	1-690459-3	SHEAR HOLDER, FRONT	10
③	-	-	-	-	1-454276-1	FLOATING SHEAR, FRONT	9
④	-	-	-	-	9-854014-0	ANVIL, COMBINATION	8
-	-	-	-	-	318701-1	DEPRESSOR, SHEAR	5
-	-	-	-	-	3-238011-3	BLOCK, CRIMPER SPACER	4
⑤	-	-	-	-	8-683454-9	CRIMPER, INSULATION O	3
-	-	-	-	-	1-455888-1	SPACER, CRIMPER	2
⑥	-	-	-	-	1-456405-5	CRIMPER, WIRE PREMIUM	1

DIMENSIONS:		TOLERANCES UNLESS OTHERWISE SPECIFIED:		MATERIAL:		FINISH:		WEIGHT:		SCALE:	
INCHES	0 PLC	+									
	1 PLC	±									
	2 PLC	±	0.01								
	3 PLC	±	0.001								
	4 PLC	±	0.0001								
	ANGLES										