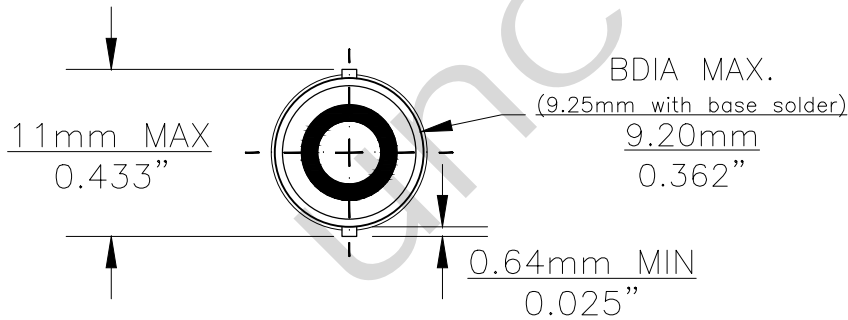
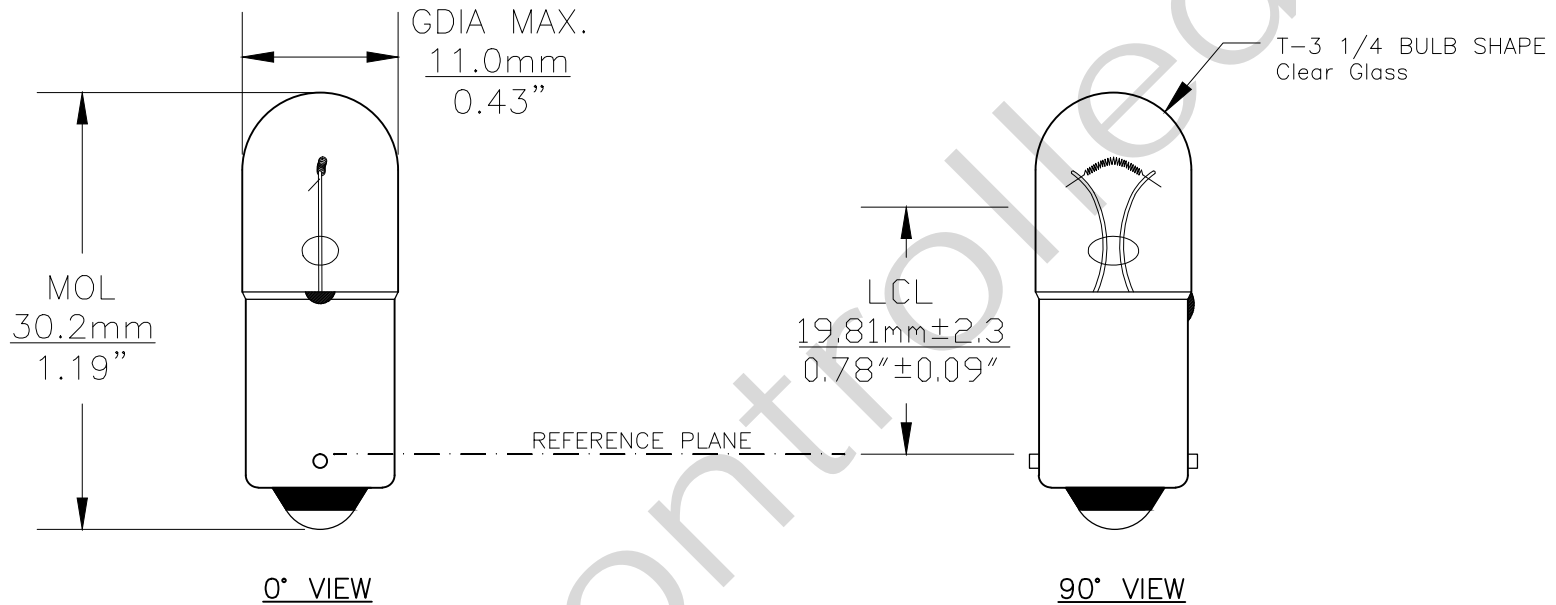




PART NO.	BASE TYPE	DESIGN VOLTS	DESIGN AMPS	MSCD	FILAMENT TYPE	AVERAGE LIFE HOURS	REVISIONS			
							REV #	DESCRIPTION	DATE	APPROVED
755	MINIATURE BAYONET (BA9s)	6.3V	0.15±10%	0.33±20%	C-2R	20,000	1	ADDED 0° VIEW & BASE BOTTOM VIEW	04/01/2016	R.M.



Note: Made according to SAE specifications

UNLESS OTHERWISE SPECIFIED: DIMENSIONS ARE IN INCHES TOLERANCES		CEC INDUSTRIES LTD			
DECIMALS	ANGULAR	599 BOND STREET		LINCOLNSHIRE, IL 60069	
.XX ± .05	± 0.5°	TITLE LIGHT BULB NO. 755			
.XXX ± .010		DATE	01/24/2002	SIZE	A
FRACTIONAL	± 1/64	CHECKED	Sidney Liu	FSCM NO.	755
DRAWN		DESIGN		DWG NO.	755
MATERIAL		SCALE		PLOT SCALE	
FILE		755.pdf	SHEET		1 OF 1
DRAWING NOT TO SCALE					

BASE BOTTOM VIEW