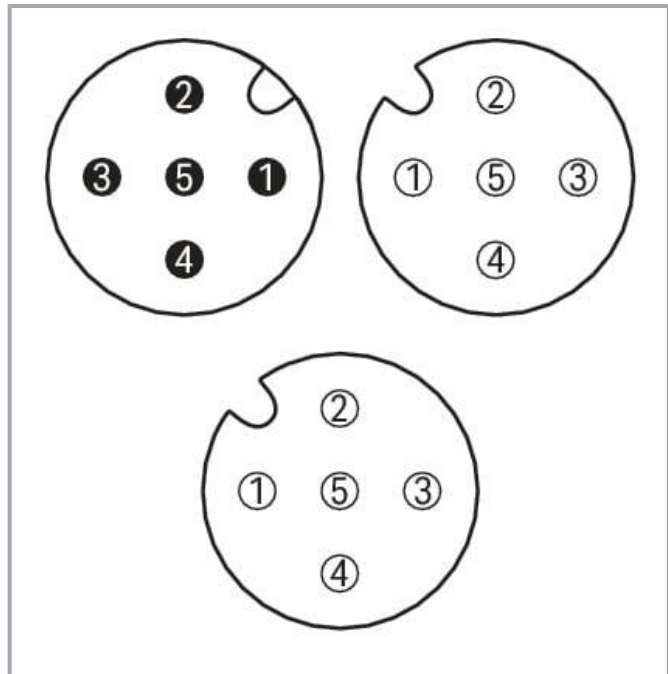
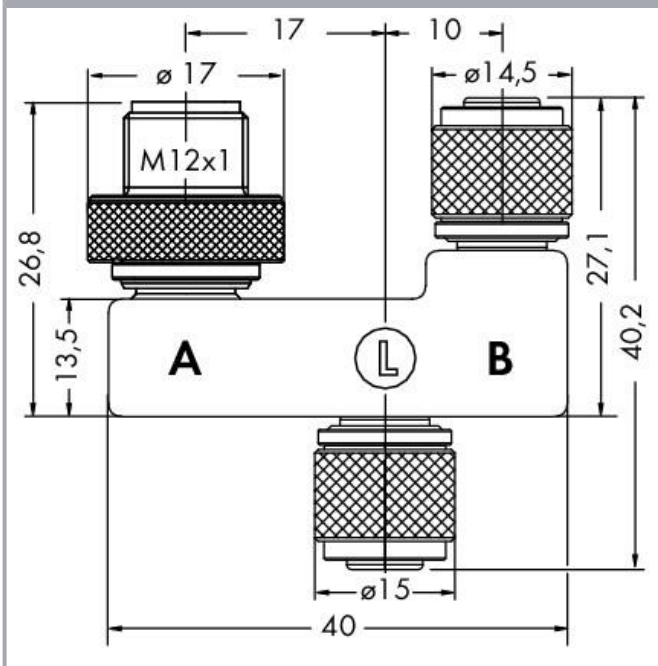
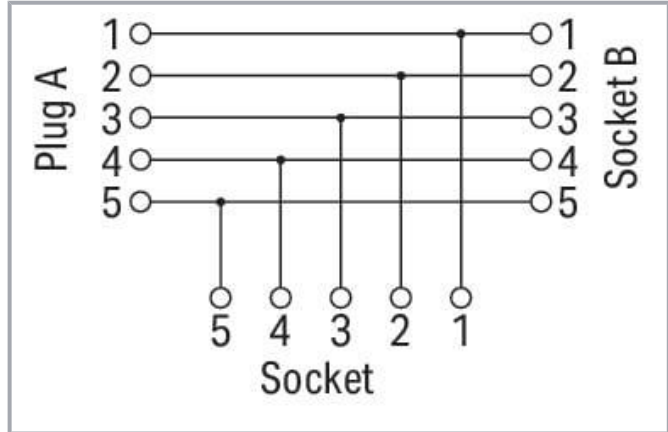




**i** Picture differs from the item.



Subject to changes. Please also observe the further product documentation!

1 = Drain
2 = +24 V
3 = GND (0 V)
4 = CAN_H
5 = CAN_L

## Data

### Technical data

### General

Protection type	IP67
-----------------	------

### Connector

Connection type	M12 plug; M12 Socket - M12 Socket
Connector interface coding (cable/adaptor) 1 1	A-coded
Connector interface coding (cable/adaptor) 1 2	A-coded
Connector interface coding (cable/adaptor) 2 1	A-coded

### Commercial data

eCl@ss 10.0	27-44-01-11
eCl@ss 9.0	27-24-90-92

Subject to changes. Please also observe the further product documentation!

WAGO GmbH & Co. KG  
Hansastr. 27  
32423 Minden  
Phone: +49571 887-0 | Fax: +49571 887-169  
Email: [info.de@wago.com](mailto:info.de@wago.com) | Web: [www.wago.com](http://www.wago.com)

Do you have any questions about our products?  
We are always happy to take your call at +49 (571) 887-44222.



ETIM 8.0	EC002584
ETIM 7.0	EC002584
PU (SPU)	5 (1) pcs
Packaging type	Box
Country of origin	CZ
GTIN	4050821705161
Customs tariff number	85366990990

## Environmental Product Compliance

RoHS Compliance Status	Compliant, No Exemption
------------------------	-------------------------

## Downloads

### Environmental Product Compliance

#### Compliance Search

Environmental Product Compliance 756-9303/050-000	URL	Download
Accessories; 5-pole		

## Installation Notes

Subject to changes. Please also observe the further product documentation!

WAGO GmbH & Co. KG  
Hansastr. 27  
32423 Minden  
Phone: +49571 887-0 | Fax: +49571 887-169  
Email: [info.de@wago.com](mailto:info.de@wago.com) | Web: [www.wago.com](http://www.wago.com)

Do you have any questions about our products?  
We are always happy to take your call at +49 (571) 887-44222.