

4

3

2

1

THIS DRAWING IS UNPUBLISHED.

RELEASED FOR PUBLICATION

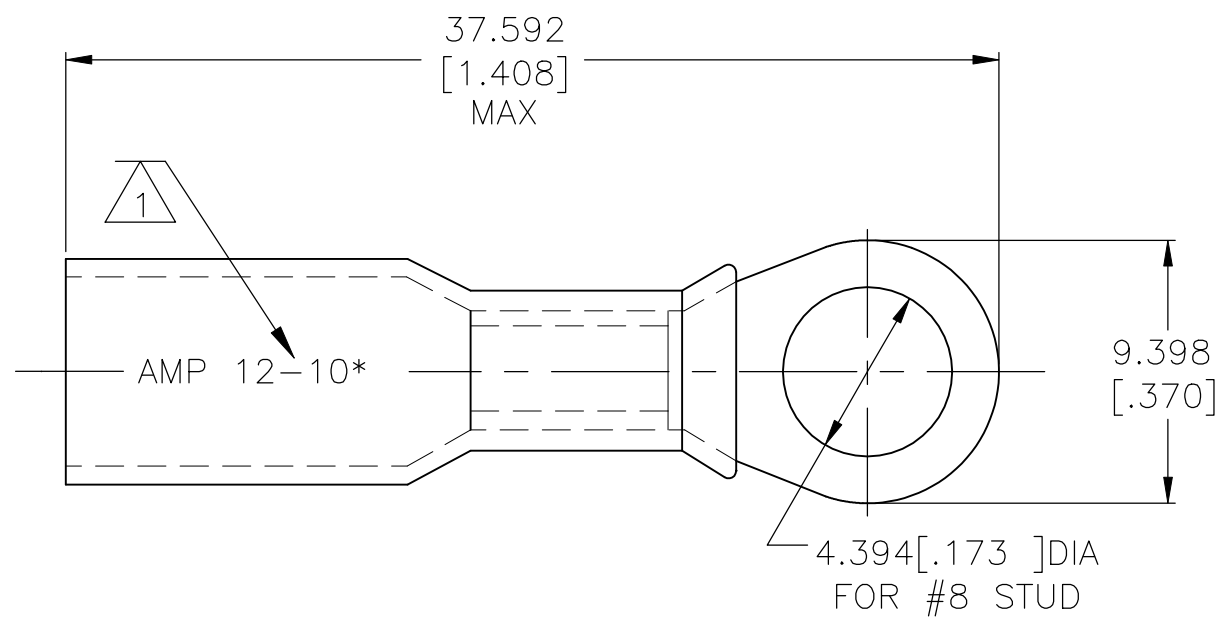
--

© COPYRIGHT - TE Connectivity Ltd.

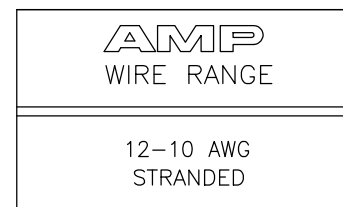
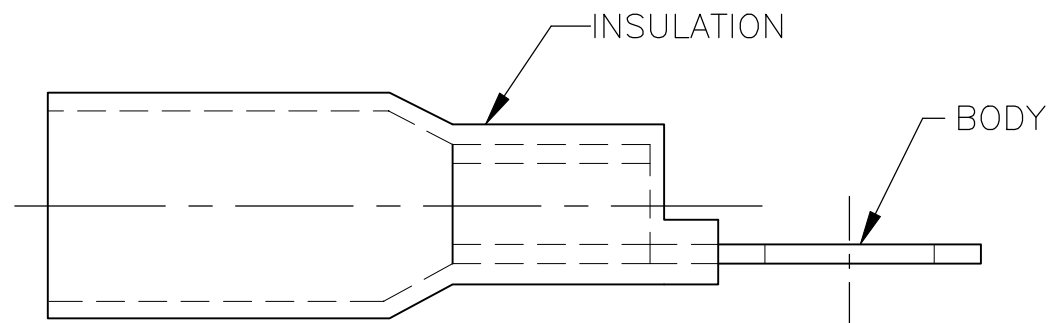
ALL RIGHTS RESERVED.

REVISIONS

P	LTR	DESCRIPTION	DATE	DWN	APVD
	E	REVISED PER ECR-09-027352	17FEB10	JR	TM
	E1	REVISED PER ECO-17-016703	04APR2018	RS	DR



- 1 STAMP AMP 12-10* APPROX AS SHOWN
- 2 WIRE INSULATION 6.096[.240] DIA MAX
- 3 BODY MATERIAL THK IS 1.016±0.051[.040±.002]
- 4 NOTE DELETED



25	LOOSE PIECE	8-55856-3
500	LOOSE PIECE	55856-1
QTY	PACKAGE TYPE	PART NO

AMP INCORPORATED
CUSTOMER SERVICE SYSTEMS

MAX RECOMMENDED OPERATING TEMPERATURE:
125°C[257°F] MAX

THIS DRAWING IS A CONTROLLED DOCUMENT.

DWN S S GOULDEN 6/93



FOR ADDITIONAL PRODUCT INFORMATION OR COPIES OF DRAWINGS AND TECHNICAL DOCUMENTS

PRODUCT INFORMATION CENTER
1-800-522-6752

VOLTAGE RATING:
600V MAX (BUILDING WIRING)
1000V MAX (FIXTURES & SIGNS)

DIMENSIONS:
mm [INCHES]

TOLERANCES UNLESS OTHERWISE SPECIFIED:

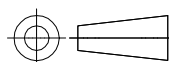
CHK R HERSEY 6/93

NAME
TERMINAL, RING TONGUE, SEALABLE
HEAT SHRINKABLE
12-10 AWG

FOR APPLICATION TOOLING INFORMATION

TOOLING ASSISTANCE CENTER
1-800-722-1111

CIRCULAR MIL AREA:
2.62-6.64² [5180-13100]
STRANDED



0 PLC ± -
1 PLC ± -
2 PLC ± -
3 PLC ± 0.127[.005]
4 PLC ± -
ANGLES ± -

APVD B BARE 6/93

PRODUCT SPEC
APPLICATION SPEC
408-4022

SIZE CAGE CODE DRAWING NO RESTRICTED TO

FOR ORDER ENTRY 1-800-526-5142

THIS DRAWING IS A CONTROLLED DOCUMENT FOR AMP INCORPORATED. IT IS SUBJECT TO CHANGE AND THE CONTROLLING ENGINEERING ORGANIZATION SHOULD BE CONTACTED FOR THE LATEST REVISION.

MATERIAL
BODY: ETP COPPER
INSULATION: POLYOLEFIN

FINISH
BODY: EDP TIN PLATED
INSULATION:
COLOR-YELLOW

APVD B BARE 6/93

PRODUCT SPEC
APPLICATION SPEC
408-4022

A3 00779 C-55856

CUSTOMER DRAWING SCALE NTS SHEET 1 OF 1 REV E1