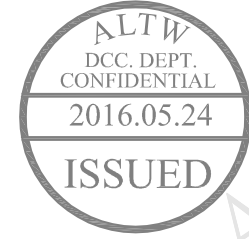
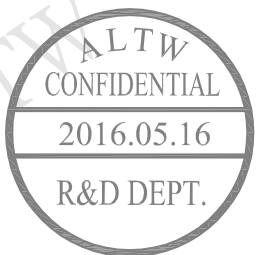
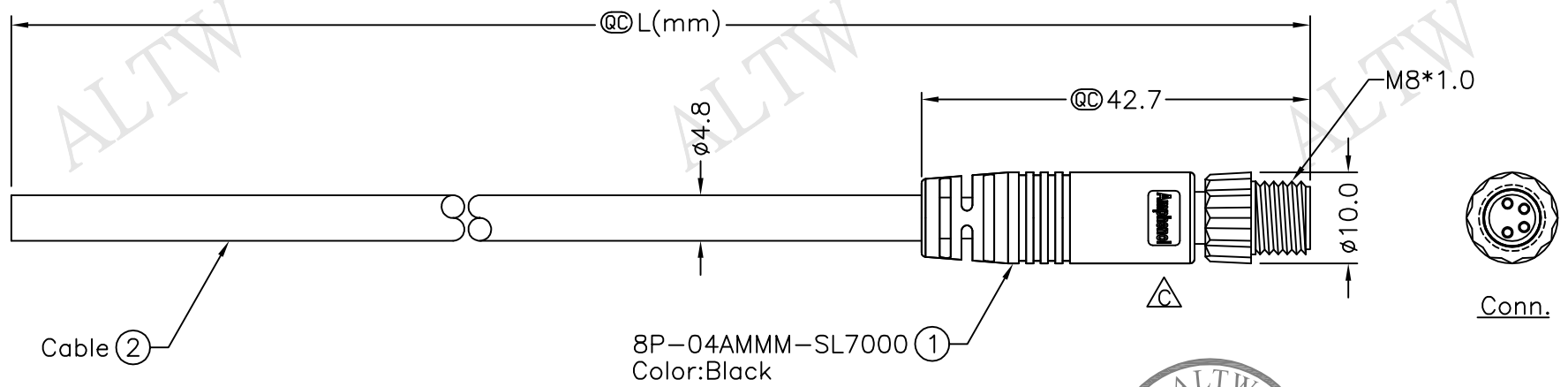
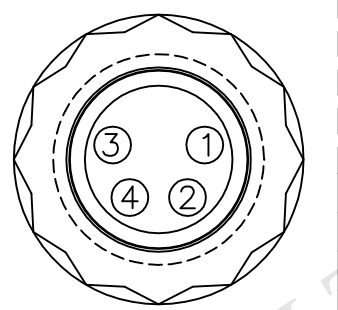


REV.	ECN NO.	DATE	SIGN	DESCRIPTION
B	LEN-920542~545	2009/02/24	Vicky	Update the drawing.
C	LEN1650543~546	2016/05/16	Vicky	Update Logo



8P-04AMMM-SL7BXX
 XX:01~99Meters
 01:01Meter
 02:02Meters
 :
 :
 99:99Meters
 Cable Length(L):01~99Meters

- Note:
- * @C Important Dimension.
 - * Waterproof Rate:IP67.
 - * Connector:PU,Black.
 - * Male Pin:Copper Alloy,Gold Plated.
 - * Cable:22AWG*4C+Insulation,Black, PU,OD=4.8mm.
 - * Cable Length Tolerance: 01M:±40mm
 02M~05M:±60mm
 06M~10M:±100mm
 11M~30M:±200mm
 31M~99M:±500mm



Pin Assignments
Front View

4	Black	黑
3	Blue	藍
2	White	白
1	Brown	棕
Conn.	Wire Color	
	Pin Out	

UNIT:mm		TITLE		M8 Conn
TOLERANCE				Cable Screw 4P M Conn M Pin
±0.5 mm		SCALE	Free	SHEET 1 OF 1
		REV.	C	SIZE A4
				@C :Inspection Item

<h1>Amphenol LTW</h1> <p>安費諾亮泰企業股份有限公司</p>		ITEM NO	DRAWN BY	DATE
		DWG NO	CHECKED BY	DATE
		CUSTOMER	APPROVED BY	DATE
		8P-04AMMM-SL7BXX	Vicky	2016/05/16
		ALTW	Rita	2016/05/16
			Lisa	2016/05/16

THIS DOCUMENT IS SUBJECT TO CHANGE WITHOUT NOTICE. IT IS CONFIDENTIAL AND A PROPERTY OF Amphenol LTW. DISCLOSURE TO THIRD PARTY HAS TO BE AUTHORIZED BY Amphenol LTW.