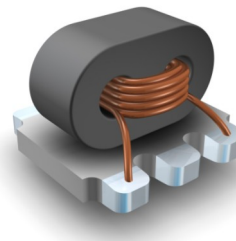
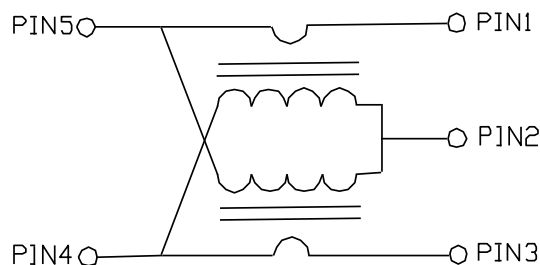


## Features

- 17dB Coupler
- Surface mount
- Available on tape and reel
- 260°C reflow compatible
- RoHS Compliant and Pb free
- Excellent temperature stability



## Schematic



## Pin Configuration

Pin No.	Function
1	Coupled
2	Ground
3	Input
4	Output
5	Isolated, External 75Ω

## Electrical Specifications: $Z_0 = 75 \Omega$ , $T_A = 25^\circ\text{C}$ , $P_{in} = 0 \text{ dBm}$

Parameter	Conditions	Units	Min	Typ	Max
Frequency Range	—	MHz	40	—	1002
Impedance	—	$\Omega$	-	75	-
Coupling (Pin3 to pin1)	40MHz 1002 MHz	dB	-	17.3	$\pm 0.25$
Main Line Loss (pin3 to pin4)	40 - 1002 MHz	dB	-	0.60	0.9
Input Return Loss (pin3)	40 - 1002 MHz	dB	18	24	-
Output Return Loss (pin4)	40 - 1002 MHz	dB	18	26	-
Coupled Return Loss (pin1)	40 - 1002 MHz	dB	18	26	-
Directivity	40 - 1002 MHz	dB	8.5	18	-

## Ordering Information

Part Number	Description
MACP-010718-CG09E0	Tape & Reel
MACP-010718-CG09TB	Customer Evaluation Board

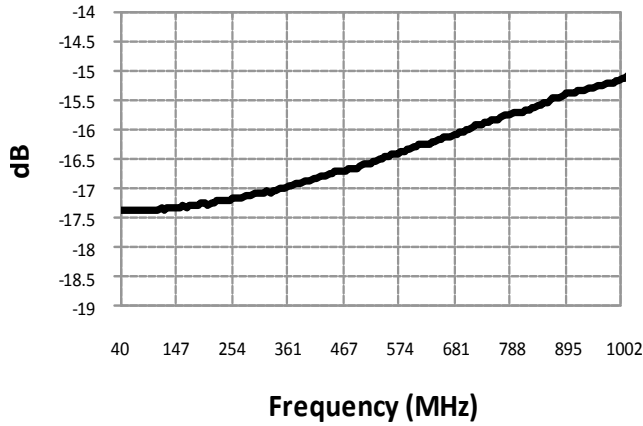
## Recommended Maximum Ratings

Parameter	Ratings
Input Power	250 mW
DC Current	200 mA
Operating Temperature	-40°C to +85°C
Storage Temperature	-55°C to +125°C

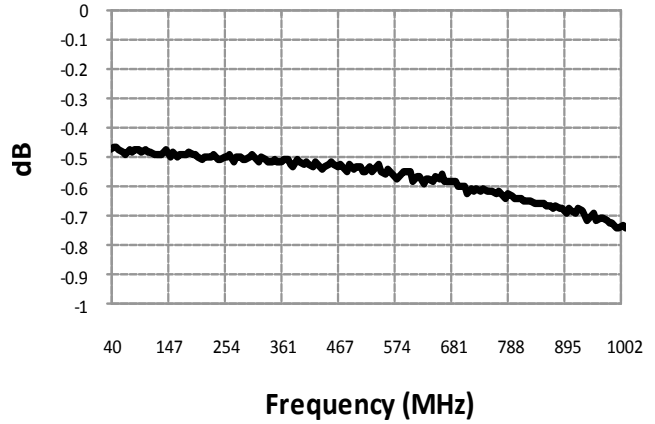
**Coupler, 17dB  
40 - 1002 MHz**

Rev. V3

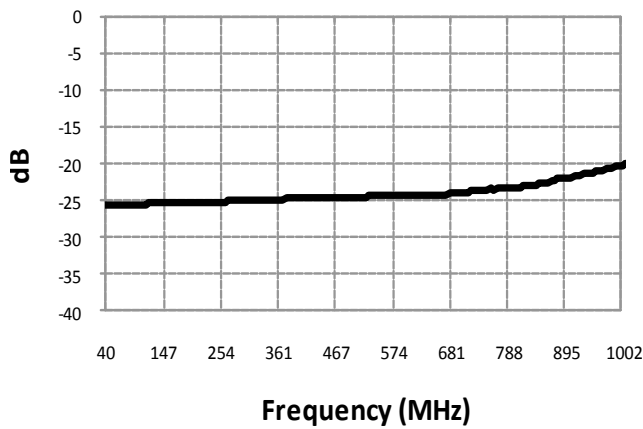
**Coupling: (pin3 to pin1)**



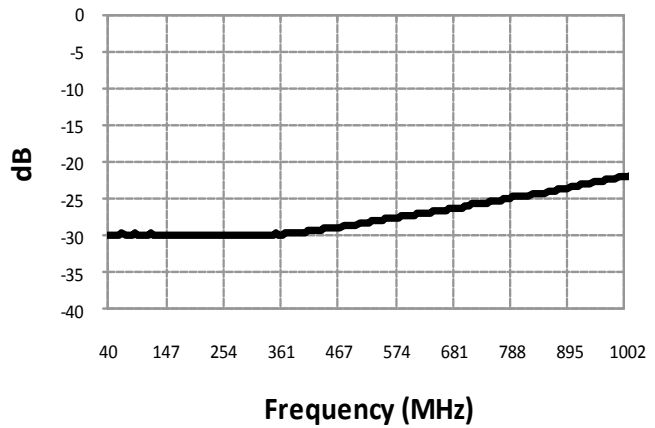
**Main Line Loss: (pin3 to pin4)**



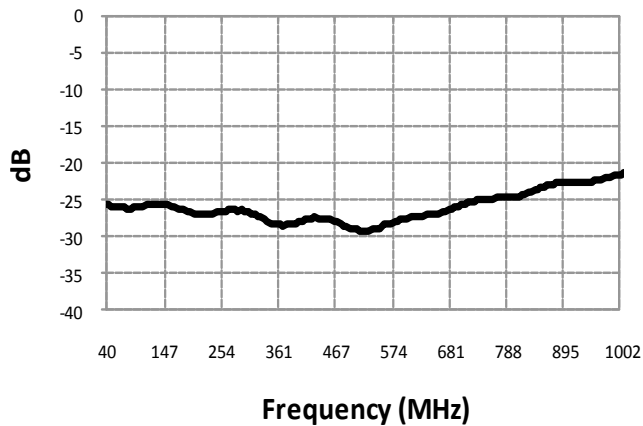
**Return Loss: Input (pin3)**



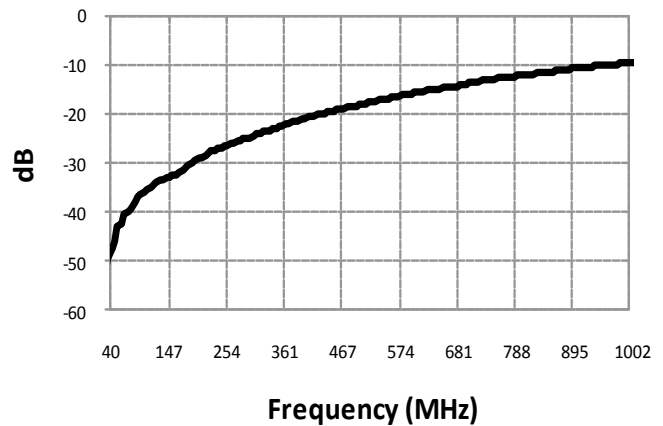
**Return Loss: Output (pin4)**



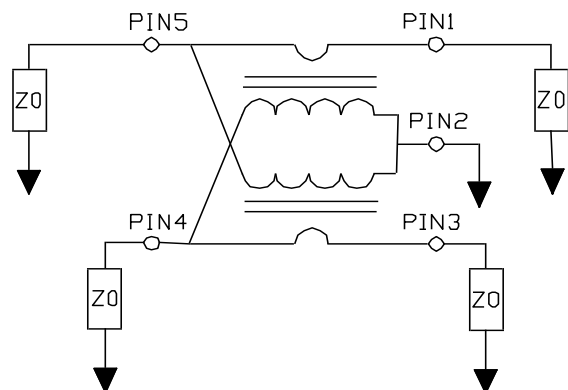
**Return Loss: Coupled (pin1)**



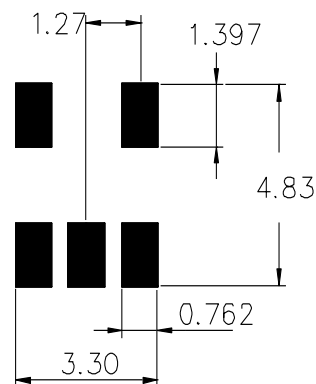
**Directivity:**



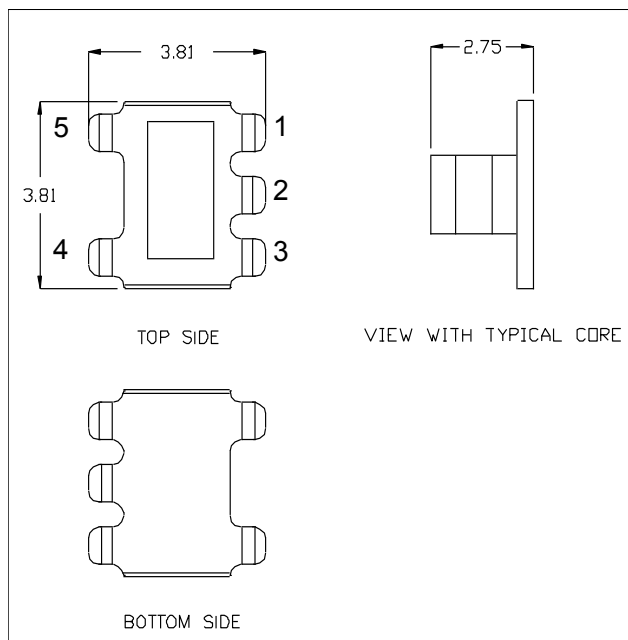
## Application Circuit



## Recommended Footprint



## Outline Drawing



1. Dimensions in mm.
2. Tolerance:  $\pm 0.2$ mm unless otherwise noted.
3. Model number and lot code are printed on the reel.
4. Finish: ENIG on both sides, 0.05 to 0.1  $\mu$ m gold over 3 to 6  $\mu$ m nickel

## Tape & Reel Information

Parameter	Units	Value
Qty per reel	-	2000
Reel Size	mm	330
Tape Width	mm	12.00
Pitch	mm	8.00
Ao	mm	4.00
Bo	mm	4.30
Ko	mm	2.90
Orientation	-	F5
Reference Application Note ANI-019 for orientation		

M/A-COM Technology Solutions Inc. All rights reserved.

Information in this document is provided in connection with M/A-COM Technology Solutions Inc ("MACOM") products. These materials are provided by MACOM as a service to its customers and may be used for informational purposes only. Except as provided in MACOM's Terms and Conditions of Sale for such products or in any separate agreement related to this document, MACOM assumes no liability whatsoever. MACOM assumes no responsibility for errors or omissions in these materials. MACOM may make changes to specifications and product descriptions at any time, without notice. MACOM makes no commitment to update the information and shall have no responsibility whatsoever for conflicts or incompatibilities arising from future changes to its specifications and product descriptions. No license, express or implied, by estoppel or otherwise, to any intellectual property rights is granted by this document.

THESE MATERIALS ARE PROVIDED "AS IS" WITHOUT WARRANTY OF ANY KIND, EITHER EXPRESS OR IMPLIED, RELATING TO SALE AND/OR USE OF MACOM PRODUCTS INCLUDING LIABILITY OR WARRANTIES RELATING TO FITNESS FOR A PARTICULAR PURPOSE, CONSEQUENTIAL OR INCIDENTAL DAMAGES, MERCHANTABILITY, OR INFRINGEMENT OF ANY PATENT, COPYRIGHT OR OTHER INTELLECTUAL PROPERTY RIGHT. MACOM FURTHER DOES NOT WARRANT THE ACCURACY OR COMPLETENESS OF THE INFORMATION, TEXT, GRAPHICS OR OTHER ITEMS CONTAINED WITHIN THESE MATERIALS. MACOM SHALL NOT BE LIABLE FOR ANY SPECIAL, INDIRECT, INCIDENTAL, OR CONSEQUENTIAL DAMAGES, INCLUDING WITHOUT LIMITATION, LOST REVENUES OR LOST PROFITS, WHICH MAY RESULT FROM THE USE OF THESE MATERIALS.

MACOM products are not intended for use in medical, lifesaving or life sustaining applications. MACOM customers using or selling MACOM products for use in such applications do so at their own risk and agree to fully indemnify MACOM for any damages resulting from such improper use or sale.