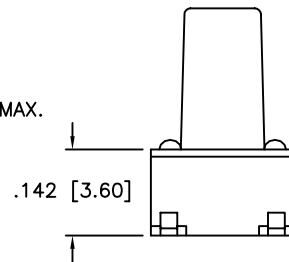
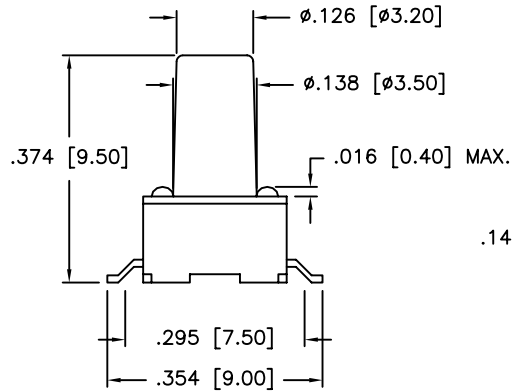
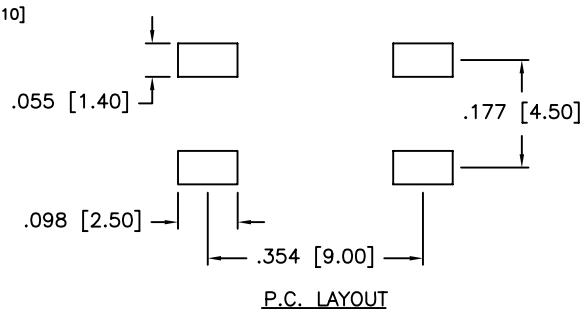
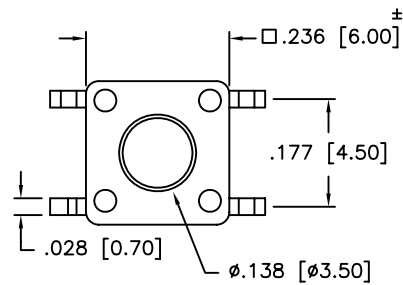


THIS DOCUMENT IS THE PROPERTY OF APEM COMPONENTS AND SHALL NOT BE COPIED, REPRODUCED, DISCLOSED OR USED AS THE BASIS FOR MANUFACTURING OR SALE WITHOUT PERMISSION OF A DULY AUTHORIZED REPRESENTATIVE OF APEM COMPONENTS INC.

DATE	SYM	REVISION RECORD	DWN.	CK.



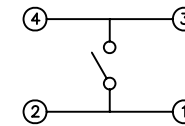
DESCRIPTION: SPST SURFACE MOUNT TACT SWITCH WITH TAPE AND REEL OPTION.

SPECIFICATIONS:
 ACTUATING FORCE: 160±30gf.
 TRAVEL: 0.25mm+0.2mm
 OPERATING LIFE: 100,000 CYCLES
 OPERATION TEMPERATURE RANGE: -20°C TO +70°C.
 STORAGE TEMPERATURE RANGE: -30°C TO +80°C
 VIBRATION TEST: PASSES METHOD 201 MIL-STD-202.
 SHOCK TEST: 30G PER METHOD 205, MIL-STD-202.
 RATING: 50mA AT 12VDC.
 INITIAL CONTACT RESISTANCE: 100mΩ MAX.
 INSULATION RESISTANCE: 100MΩ MIN.
 DIELECTRIC STRENGTH: 250VAC FOR 1 MINUTE
 CONTACT ARRANGEMENT: 1 POLE 1 THROW.

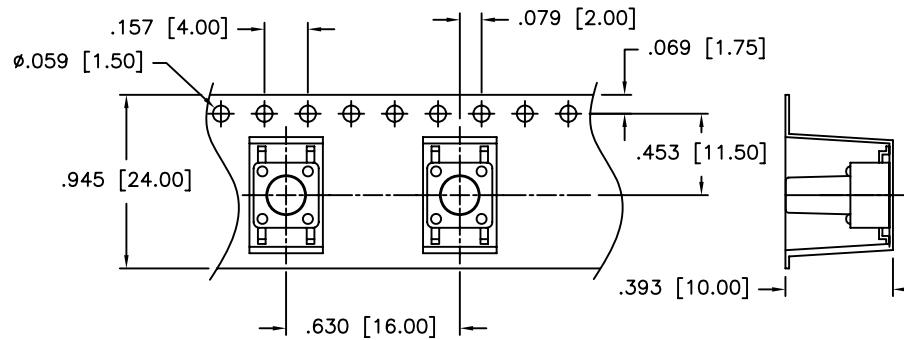
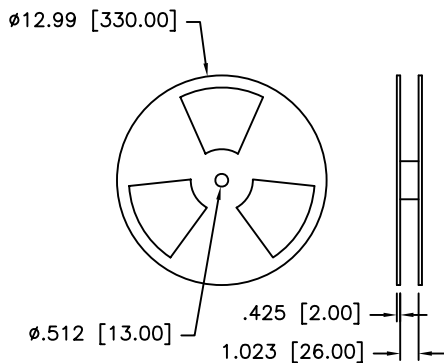
MATERIALS:
 COVER / BRACKET: PET FILM, TIN PLATED BRASS, OR STAINLESS STEEL
 CASE: UL94V-0 NYLON THERMOPLASTIC
 ACTUATOR: UL94V-0 NYLON THERMOPLASTIC
 TERMINAL: BRASS WITH SILVER PLATING

SOLDERING:
 HAND SOLDERING: 30 WATT IRON AT 350°C FOR 3 SECONDS.
 IR REFLOW: 255°C MAX. FOR 5 SECONDS MAX.

LEAD FREE PROCESS COMPATIBLE
 RoHS COMPLIANT



SCHEMATIC



Q.A. INSPECT. △ DESIGNATES CRITICAL DIMENSION	63 Neck Rd. Haverhill, MA 01835 Tel: 978-372-1682 Fax: 978-372-5534			DRN. BY: CJD
	TOLERANCES (EXCEPT AS NOTED) .XX=±.02[0.05] .XXX=±.008[0.20] .XXXX=±.0008[0.02] ANGLE = ±0.5°			CHK. BY: PJD
INCH (MM)	SHEET 1 OF 1	SIZE B	SCALE 5:1	THIRD ANGLE PROJECTION
TITLE TACT SWITCH				
DO NOT SCALE DRAWING	DATE 11/28/07	DRAWING NO. MJTP1138B		REV A