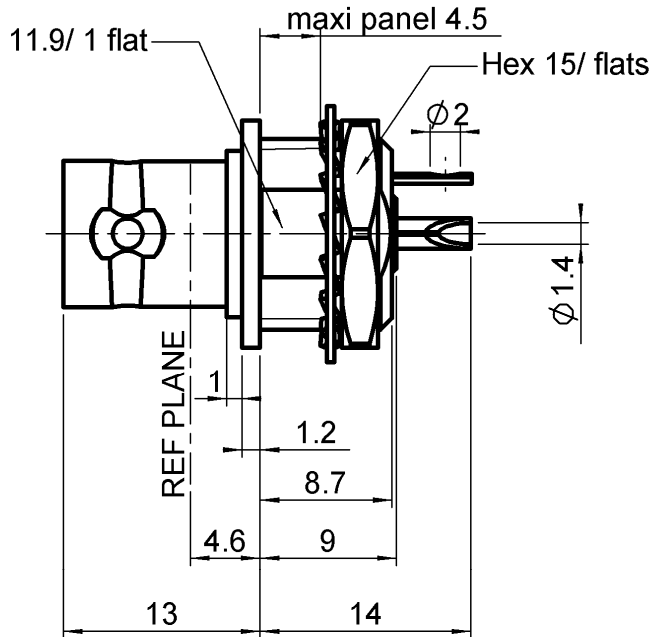


INSULATED BULKHEAD JACK RECEPTACLE

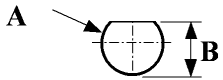
R141.572.000

FR. MOUNT. WITH SOLDER POT CONTACT + TAG

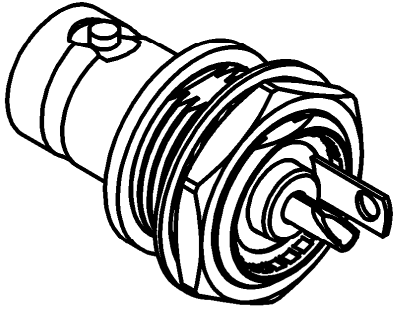
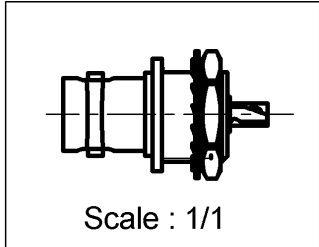
Series : **BNC**



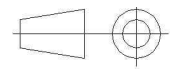
PANEL CUT OUT



mm		
	Maxi	mini
A	12.9	12.8
B	12.1	12



All dimensions are in mm.



COMPONENTS	MATERIALS	PLATING (µm)
BODY	BRASS	NICKEL 2
CENTER CONTACT	BERYLLIUM COPPER	GOLD 0.5 OVER NICKEL 2
OUTER CONTACT	-	-
INSULATOR	PTFE	-
GASKET	-	-
OTHERS PARTS	-	-
-	-	-
-	-	-

Issue : 0912 N

In the effort to improve our products, we reserve the right to make changes judged to be necessary.



INSULATED BULKHEAD JACK RECEPTACLE

R141.572.000

FR. MOUNT. WITH SOLDER POT CONTACT + TAG

Series : **BNC**

PACKAGING

SPECIFICATION

Standard	Unit	Other
100	'W' option	Contact us

QAE 06-02 - -

ELECTRICAL CHARACTERISTICS

ENVIRONMENTAL

Impedance **50** Ω
 Frequency **0-4** GHz
 VSWR **1.30 + 0,0000** x F(GHz) Maxi
 Insertion loss **0.1*** √F(GHz) dB Maxi
 RF leakage - (**57** - F(GHz)) dB Maxi
 Voltage rating **500** Veff Maxi
 Dielectric withstanding voltage **1500** Veff mini
 Insulation resistance **5000** MΩ mini

Operating temperature **-65/+165** ° C
 Hermetic seal **NA** Atm.cm3/s
 Panel leakage **NA**

OTHER CHARACTERISTICS

Assembly instruction **NA**

Others :
 * Coaxial Transmission Line Only

MECHANICAL CHARACTERISTICS

Center contact retention
 Axial force – Mating end **18** N mini
 Axial force – Opposite end **18** N mini
 Torque **2.8** N.cm mini

 Recommended torque
 Mating **NA** N.cm
 Panel nut **370** N.cm

 Mating life **500** Cycles mini
 Weight **11,4130** g

Issue : 0912 N

In the effort to improve our products, we reserve the right to make changes judged to be necessary.

