

RFPC-SMA17-FN: RP SMA Straight Bulkhead Jack With O-ring, PCB Connector, Rated to IP67/68, 3GHz

Material and Plating:

- Insulator A: Teflon
- Insulator B: Teflon
- Body: Brass, Gold Plated
- Pin: Brass, Gold Plated
- Gasket: Silicone, Color: Red
- O-Ring: Silicone, Color: Red

Washer: Brass, Gold Plated

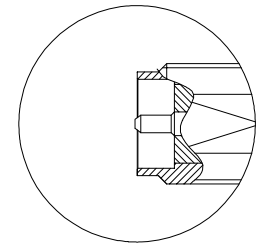
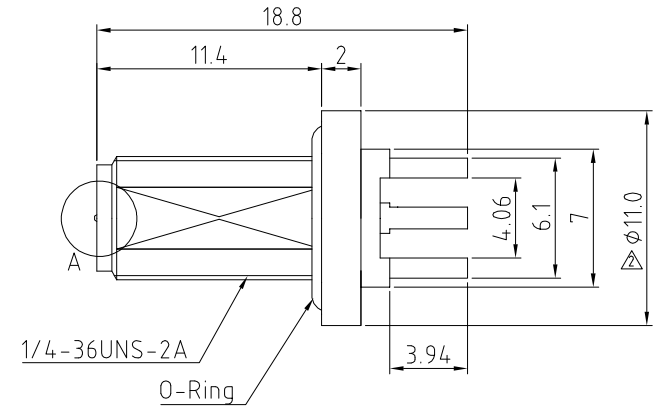
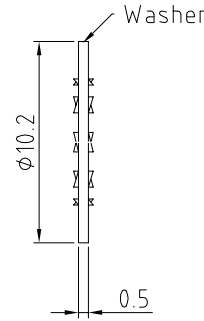
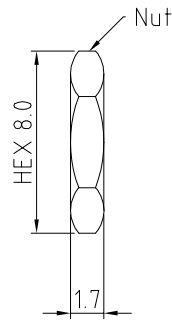
Nut: Brass, Gold Plated

Environmental:

- A. Tested to:
  - i. IP6x - Dust tight - no particle ingress.
  - ii. IPx7 Waterproof for 30 minutes up to 1 meter underwater.
  - iii. IPx8 Waterproof for 48 hours at 1 meter underwater.

Notes:

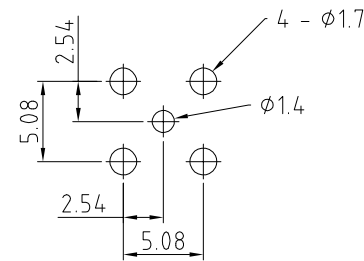
1. Packaging Type: Tray.
2. Working Frequency Range: DC-3GHz.
3. Operating Temperature: -55°C~+155°C.
4. Impedance: 50 ohm.



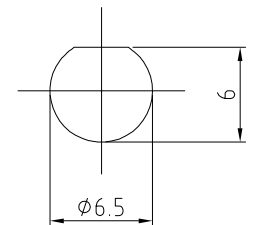
DETAIL A

HOW TO ORDER  
RFPC - SMA17 - FN - X

WASHER AND NUT OPTIONS:  
BLANK = SEPARATELY PACKED (STANDARD)  
A = ALL ASSEMBLED WITH CONNECTOR



Recommended PCB Hole Layout



Recommended Mounting Hole

REV. DATE & DRN	10/30/07/18 - NYW RELEASE
11/30/08/18 - NYW	ADD PIN MATERIAL
12/27/12/18 - NYW	AMEND DIMENSION
13/18/07/19 - NYW	ADD WASHER & NUT OPTIONS
14/27/05/19 - NYW	ADD OPERATING TEMP.
15/16/02/23 - NYW	ADD IMPEDANCE

Scale: NTS	THIRD ANGLE	Unstated Tolerances:
Drawn: NYW		X N/A XX N/A XXX N/A ANGLES N/A
App'd: XXX	Title SMA PCB Connector	
Date: 14 FEB '23	Revision: 1.5	Unit: mm

IP67/68 Rated Cables

www.gradconn.com

Type: RFPC-SMA17-FN
RFPC-SMA17-FN
Drawing Number:
Sheet 1 of 1
Drawing © E and O E