

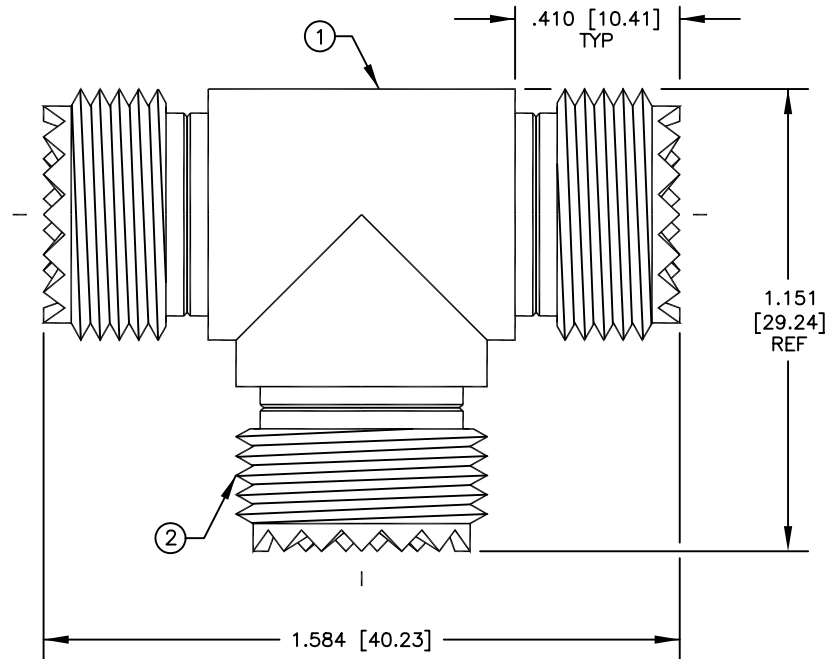
# SPECIFICATION CONTROL DRAWING

THIS DRAWING CONTAINS INFORMATION PROPRIETARY TO RF INDUSTRIES, LTD. ANY UNAUTHORIZED USE OF THIS DRAWING IS EXPRESSLY PROHIBITED. ANY VIOLATION IS PUNISHABLE UNDER U.S. COPYRIGHT LAWS.

REV	DESCRIPTION	DWN	DATE	APPROVED
A	ENGINEERING RELEASE	PB	3/27/93	C. JONES
B	CHG DIELECTRIC TO DELRIN	KMM	7/27/94	R. RICE
C	CHG CONTACT & DIE DIMS / NOW TWO PIECE BODY	CZS	8/11/98	R. RICE

ALL DIMENSIONS ARE REFERENCE ONLY

000000



## SPECIFICATIONS:

IMPEDANCE: NON CONSTANT  
 WORKING VOLTAGE: 500 VRMS @ SEA LEVEL  
 FREQUENCY RANGE: 0-300 MHz

ITEM	DESCRIPTION	QTY	MATERIAL	FINISH
5	DIELECTRIC	3	DELTRIN	NONE
4	CONTACT	1	BRASS	SILVER
3	CONTACT	1	BRASS	SILVER
2	BODY	1	BRASS	NICKEL
1	BODY	1	BRASS	NICKEL

DIMENSIONS ARE IN INCHES AND [MILLIMETERS]

UNLESS OTHERWISE NOTED TOLERANCES ARE:  
 DECIMALS DIAMETER

DRAWN	C. ZUNIGA	8/11/98
CHECKED		
ORJ DRAWN	P. BREAUX	3/27/93
APPROVALS		
DATE		

**RF connectors**  
 DIVISION OF RF INDUSTRIES, LTD.

7610 MIRAMAR RD  
 SAN DIEGO, CA 92126  
 (619)549-6340  
 (619)549-6345 FAX

## RFU-534

UHF "T" ADAPTER, TRIPLE FEMALE

SIZE	CABLE GROUP	DWG NO.	REV
A	N/A	8062	C
SCALE:	2:1	CAD FILE	13ARC B
		SHEET	1 OF 1