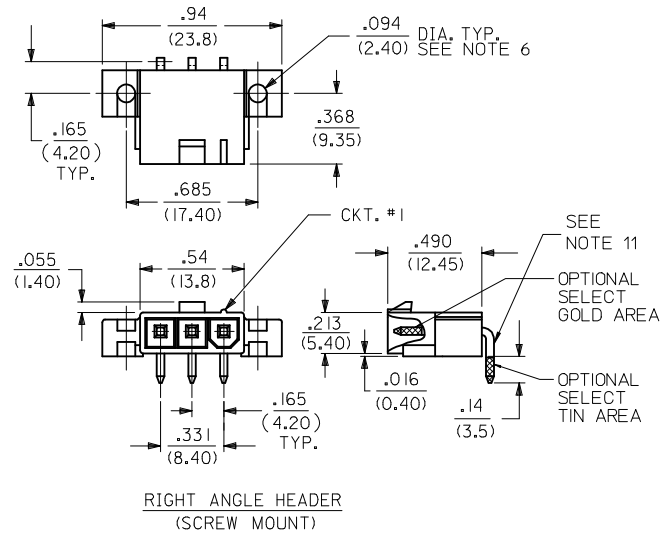
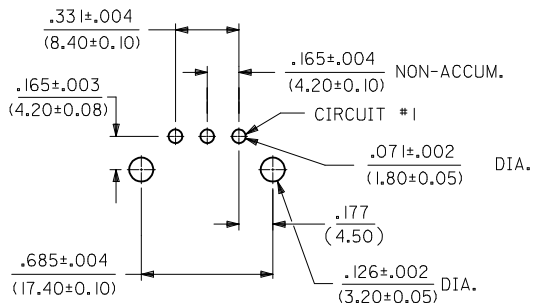


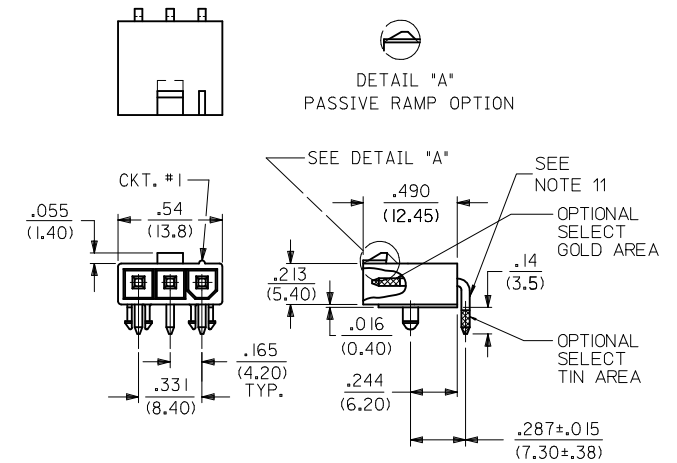
PART NUMBER	ENGINEERING NUMBER	MOUNT OPTION	PLATING	MAT'L.
NO E.D.P.	5569-03A3GS2-225	3	15 GOLD	225
NO E.D.P.	5569-03A3GS-225	3	30 GOLD	225
NO E.D.P.	5569-03A4GS2-225	4	15 GOLD	225
NO E.D.P.	5569-03A4GS-225	4	30 GOLD	225
NO E.D.P.	5569-03A3MS-225	3	TIN/NICKEL	225
50-36-1769	5569-03A4MS-225	4	TIN/NICKEL	225
NO E.D.P.	5569-03A5GS2-225	5	15 GOLD	225
NO E.D.P.	5569-03A5GS-225	5	30 GOLD	225
NO E.D.P.	5569-03A5MS-225	5	TIN/NICKEL	225



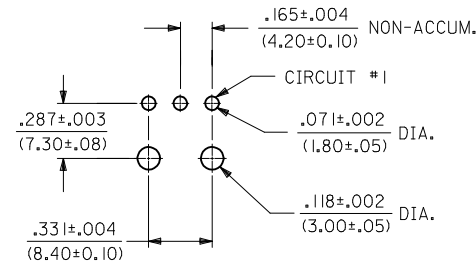
RIGHT ANGLE HEADER
(SCREW MOUNT)



RECOMMENDED HOLE LAYOUT FOR
.070/(1.78) MAX. THICK P.C. BOARD
VIEWED FROM COMPONENT SIDE



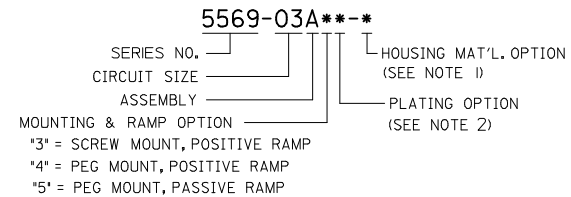
RIGHT ANGLE HEADER
(PEG MOUNT)



RECOMMENDED HOLE LAYOUT FOR
.070/(1.78) MAX. THICK P.C. BOARD
VIEWED FROM COMPONENT SIDE

- NOTES:
- MATERIAL:
HOUSING:
225 = UNFILLED NYLON, UL94V-0, IEC 60335-1
4TH EDITION GLOW WIRE CAPABLE, COLOR - BLACK.
TERMINAL MATERIAL: BRASS ALLOY
 - TERMINAL PLATING:
"MS" = .000100/(0.00254) MIN. MATTE TIN OVER
.000050/(0.00127) MIN. NICKEL OVERALL.
"GS" = .000030/(0.00076) MIN. SELECT GOLD, .000100/(0.00254) MIN. SELECT
MATTE TIN OVER .000050/(0.00127) MIN. NICKEL OVERALL
"GS2" = .000015/(0.00038) MIN. SELECT GOLD, .000100/(0.00254)
MIN. SELECT MATTE TIN OVER .000050/(0.00127) MIN. NICKEL OVERALL.
 - PRODUCT SPECIFICATION: PS-5556-001.
 - PACKAGING SPECIFICATION: PK-5569-002.
 - PART MATES WITH MOLEX RECEPTACLE 5557 SERIES.
 - PART IS DESIGNED FOR USE WITH #4 OR M3 SELF TAPPING SCREWS.
 - DISCOLORATION IN THE BANDOLIER CARRIER AREA OF THE PIN IS
INHERENT TO THE PLATING PROCESS AND IS DUE TO THE MASKING
EFFECT OF THE CARRIER. THIS DISCOLORATION IS IN A NON-FUNCTIONAL
AREA OF THE PIN AND WILL NOT AFFECT THE PERFORMANCE OF THE
HEADER ASSEMBLY.
 - CONNECTORS ARE NOT TO BE MATED AND UNMATED WHILE CIRCUITS ARE LIVE.
 - PARTS ARE NOT DESIGNED FOR CURRENT SHARING.
 - PART CONFORMS TO CLASS "B" REQUIREMENTS OF COSMETIC
SPECIFICATION PS-45499-002. WITH THE EXCEPTION OF DISCOLORATION,
FLASH AND SINK MEET CLASS "C" REQUIREMENTS.
 - FORMING MARKS ON PINS ARE ACCEPTABLE

LEGEND



CHG DIM 36 TO 3.5 EC NO: UCP2013-4208 DRAWN: NGUYEN 2014/04/11 CHKD: J. BELL 2014/04/11 APPR: F. SMITH 2014/05/16	QUALITY SYMBOLS ▽=0 ▽=0 ▽=0	GENERAL TOLERANCES (UNLESS SPECIFIED)	DIMENSION STYLE		SCALE	DESIGN UNITS	THIRD ANGLE PROJECTION
			IN/MM		METRIC		
B2	DESCRIPTION	DRAWN BY TRBENES	DATE		TITLE		
			4/28/09	3 CKT GLOW WIRE HEADER MINI-FIT JR. SERIES (SINGLE ROW)			
REV	DESCRIPTION	CHECKED BY JBELL	DATE		DOCUMENT NO.		
			4/28/09	SD-5569-03A**-225			
REV	DESCRIPTION	APPROVED BY FSMITH	DATE		SHEET NO.		
			2014/05/16	1 OF 1			
DRAFT WHERE APPLICABLE MUST REMAIN WITHIN DIMENSIONS		MATERIAL NO. SEE CHART		THIS DRAWING CONTAINS INFORMATION THAT IS PROPRIETARY TO MOLEX INCORPORATED AND SHOULD NOT BE USED WITHOUT WRITTEN PERMISSION			