

MATERIALS AND FINISHES:

BODY, OUTER CONTACT, RETAINING WASHER,
AND FERRULE: BRASS
PLATED NICKEL

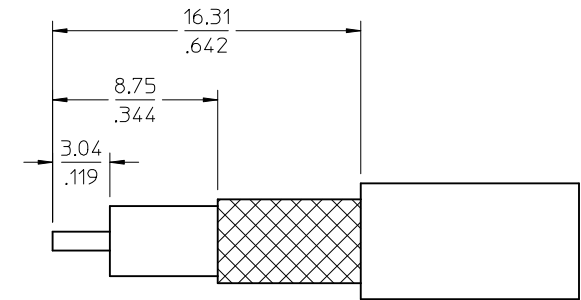
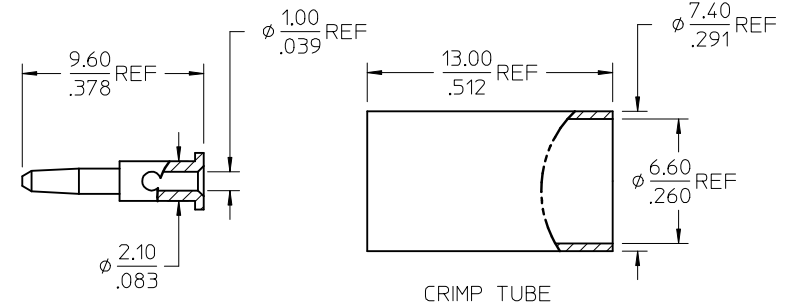
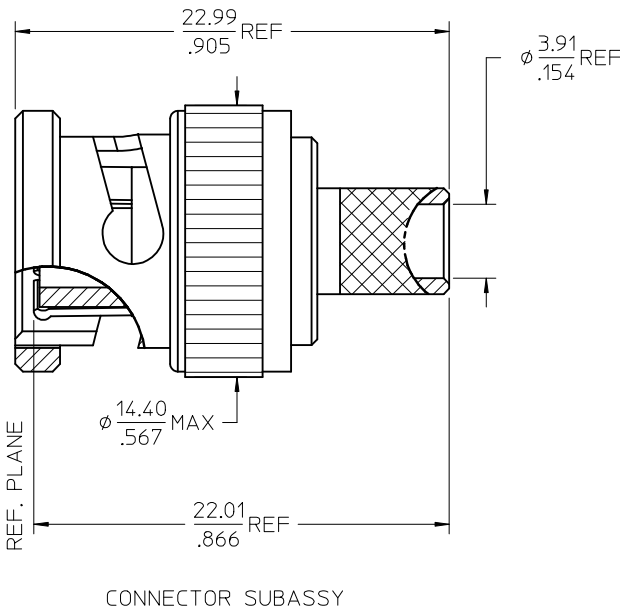
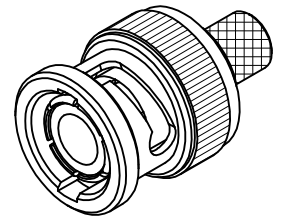
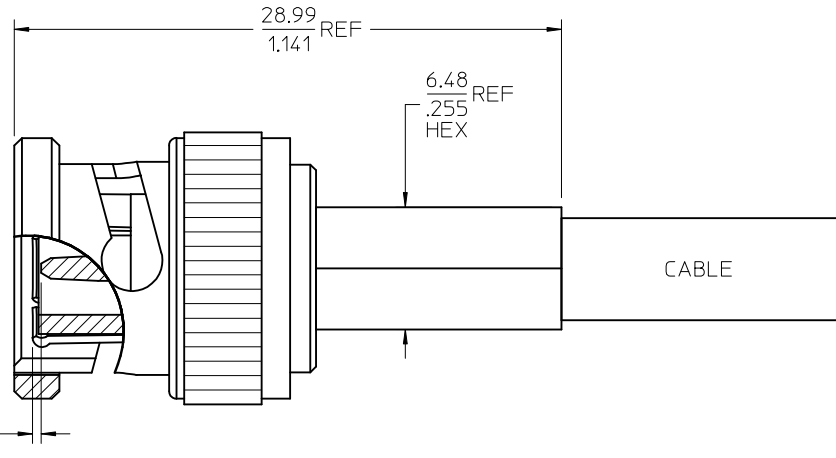
COUPLING NUT: ZINC ALLOY
PLATED NICKEL

CENTER CONTACT: BRASS
PLATED GOLD

SPRING WASHER: BERYLLIUM COPPER
PLATED NICKEL

INSULATOR: POLYPROPYLENE

GASKET: SILICONE RUBBER



PART # 73105-5003
PACKAGED INDIVIDUALLY

PS-89675-1030	PRODUCT SPEC.
SPECIFICATION	DESCRIPTION

RECOMMENDED CABLE STRIP

CHG: ADDED CABLE STRIP AND INTERFACE CUTAWAY DELETE AS PS WAS PS-73598-0024 EC NO: URF2014-0056 DRWN:WIENER 2013/07/24 CHKD:SSS 2013/07/24 APPR:WIENER 2013/07/29 C2	QUALITY SYMBOLS ▽=0 ▽=0	GENERAL TOLERANCES (UNLESS SPECIFIED) <table border="1"> <thead> <tr> <th></th> <th>mm</th> <th>INCH</th> </tr> </thead> <tbody> <tr> <td>4 PLACES</td> <td>± .005</td> <td>± .0005</td> </tr> <tr> <td>3 PLACES</td> <td>± .005</td> <td>± .0005</td> </tr> <tr> <td>2 PLACES</td> <td>± .005</td> <td>± .0005</td> </tr> <tr> <td>1 PLACE</td> <td>± .005</td> <td>± .0005</td> </tr> </tbody> </table> ANGULAR ± 2°		mm	INCH	4 PLACES	± .005	± .0005	3 PLACES	± .005	± .0005	2 PLACES	± .005	± .0005	1 PLACE	± .005	± .0005	DIMENSION STYLE MM/IN DRAWN BY DATE IRIS WANG 1991/01/18 CHECKED BY DATE APPROVED BY DATE	SCALE DESIGN UNITS METRIC TITLE BNC PLUG, STRAIGHT, CRIMP/CRIMP NON CAPTIVE RG59B/U, RG62A/U MOLEX MOLEX INCORPORATED	SHEET NO. 1 OF 1
		mm	INCH																	
	4 PLACES	± .005	± .0005																	
	3 PLACES	± .005	± .0005																	
2 PLACES	± .005	± .0005																		
1 PLACE	± .005	± .0005																		
DRAFT WHERE APPLICABLE MUST REMAIN WITHIN DIMENSIONS		MATERIAL NO. 731055003	DOCUMENT NO. SD-73105-5003																	
		SIZE C	THIS DRAWING CONTAINS INFORMATION THAT IS PROPRIETARY TO MOLEX INCORPORATED AND SHOULD NOT BE USED WITHOUT WRITTEN PERMISSION																	