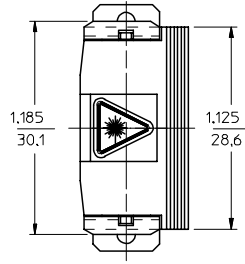


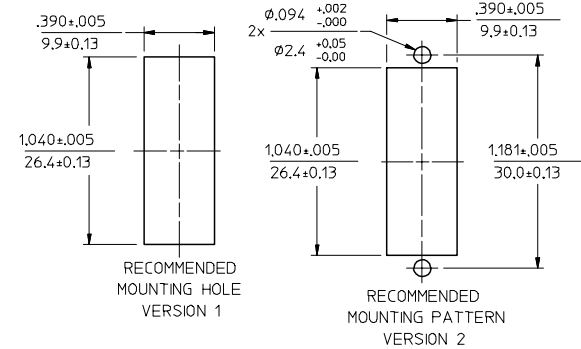
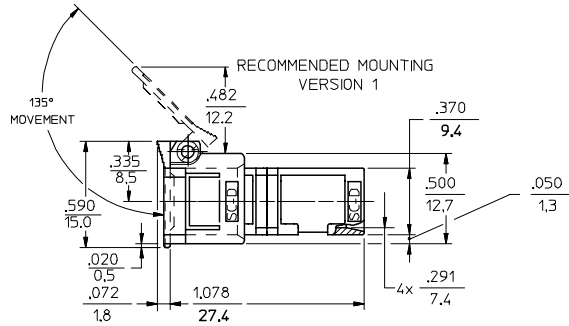
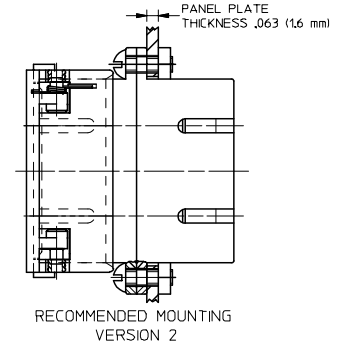
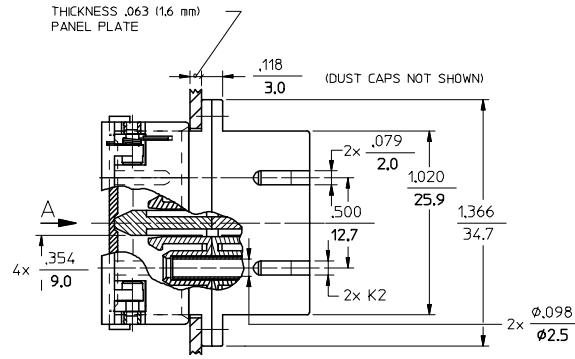
P/N OF ADAPTER	MATERIAL OF SLEEVE	TYPE	COLOR	K2
86166-0500	ZR	SINGLE MODE	BLUE	.079 2.0
86167-0500	PHOSPHOR BRONZE			
86166-0510	ZR	MULTIMODE	BEIGE	
86167-0510	PHOSPHOR BRONZE		AQUA	
86167-0710	ZR		BLACK	
86166-0530	PHOSPHOR BRONZE			
86166-0540	ZR	SINGLE MODE	RED	
86167-0540	PHOSPHOR BRONZE	APC	GREEN	
86166-0550	ZR			
86167-0550	PHOSPHOR BRONZE	SINGLE MODE	BLACK	
86168-0530	ZR			1.4
86169-0530	PHOSPHOR BRONZE			



VIEW A  
VERSION 1  
(SEE NOTE 2)



VIEW A  
VERSION 2  
(SEE NOTE 2)



NOTES:

- ALL DIMENSIONS ARE GIVEN IN  $\frac{\text{INCHES}}{\text{mm}}$
- LABEL MUST BE INSTALLED AND ORIENTED BY CUSTOMER. (SEE VIEW A)

ENTER DESCRIPTION EC NO: MF2005-0644 DRWNLKATARZENE 2005/05/13 CHKD: 2005/05/13 APPR: IGLUMIN 2005/05/13 REV DESCRIPTION	QUALITY SYMBOLS	GENERAL TOLERANCES (UNLESS SPECIFIED)		DIMENSION STYLE IN/MM		SCALE 4:1	DESIGN UNITS INCH	THIRD ANGLE PROJECTION	
	 	mm	INCH	DRAWN BY	DATE	TITLE	SC DUPLEX ADAPTER WITH SHIELD (SC-D)		
	4 PLACES ± --- ± ---	3 PLACES ± --- ± ---	2 PLACES ± --- ± ---	1 PLACE ± --- ± ---	CHECKED BY	DATE	MOLEX INCORPORATED		
	ANGULAR ±1/2°		DRAFT WHERE APPLICABLE MUST REMAIN WITHIN DIMENSIONS		APPROVED BY	DATE	MATERIAL NO. SEE TABLE	DOCUMENT NO. 8616X-05X0CD	SHEET NO. 1 OF 1
THIS DRAWING CONTAINS INFORMATION THAT IS PROPRIETARY TO MOLEX INCORPORATED AND SHOULD NOT BE USED WITHOUT WRITTEN PERMISSION									