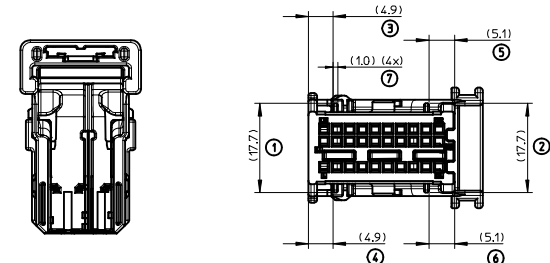
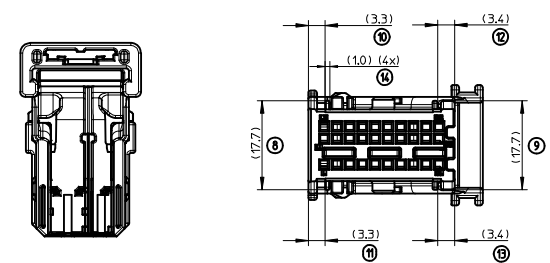
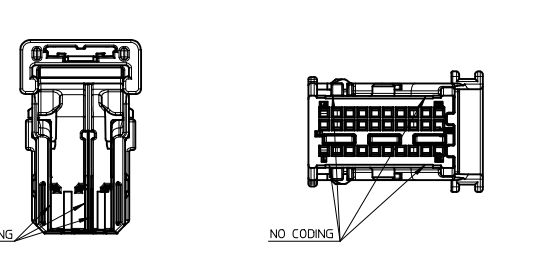
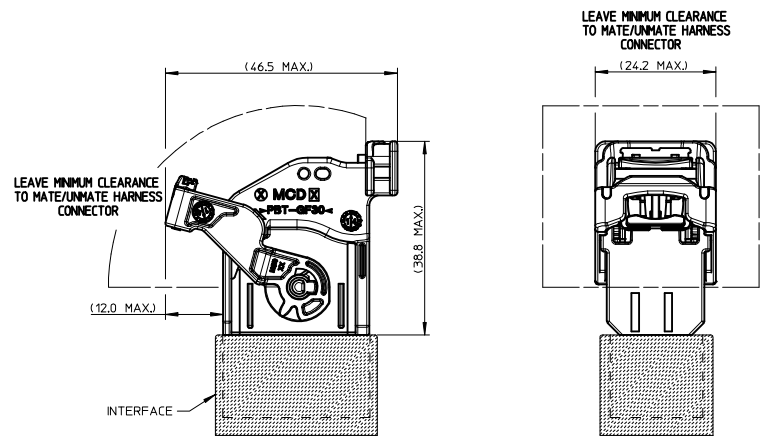


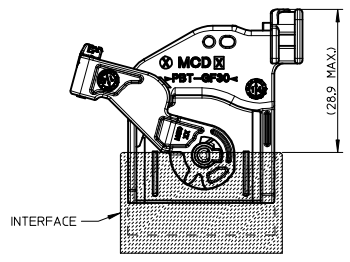
PART NUMBER:	098982 5111	CODING:	BLACK
MODULES P/N TO BE USED:	098982 5155	10W	GREEN
	098982 1015	20W	GREEN
			
MODULES P/N TO BE USED:	098982 5156	10W	BLUE
	098982 1019	20W	BROWN
			
MODULES P/N TO BE USED:	098982 5155 or 098982 5156	10W	GREEN - BLUE
	098982 1015 or 098982 1019	20W	GREEN - BROWN
			

CODING OPTIONS (VIEWS WITHOUT LOCKING LEVER)

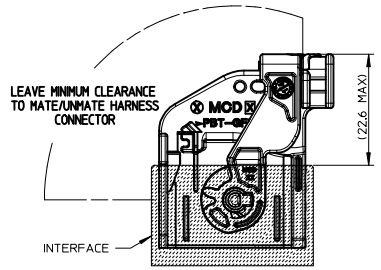
CLEARANCE FOR CONNECTOR MATE AND UNMATE



PRE-LOCKING POSITION



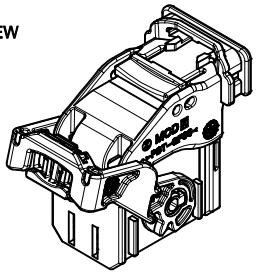
CONNECTOR FULLY MATED




MODIFICATIONS

REV.	DESCRIPTIONS	NAME	DATE
A	DOCUMENT FIRST RELEASE.	GD	2017/02/10

ISO VIEW



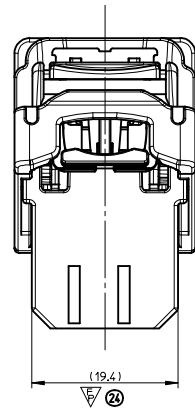
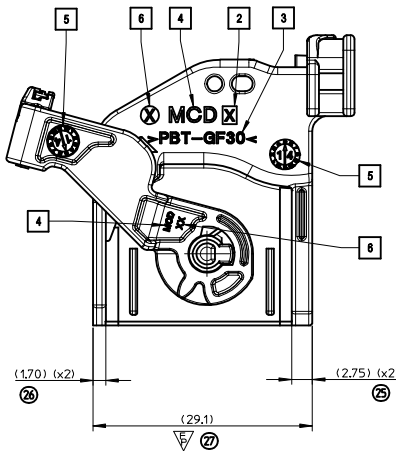
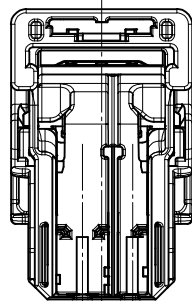
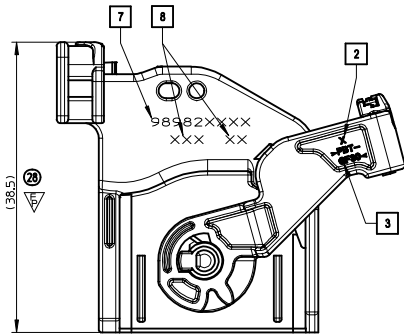
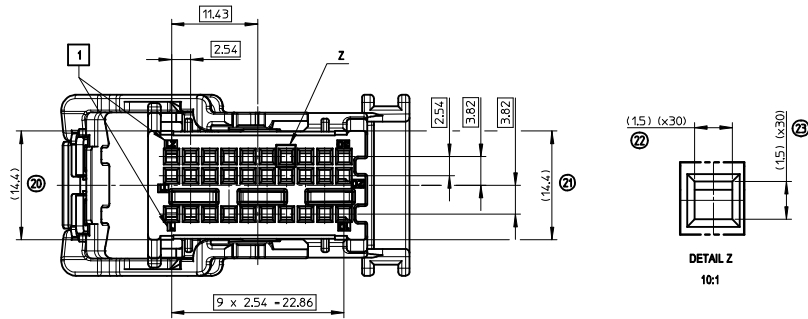
DOC FIRST RELEASE EEC NO: G2017-0052 DRAWING DESIGNED BY: GDESBRUERES 2017/02/10 CHECKED BY: CBOUCHAN 2017/02/13 APPROVED BY: SLAFAURE 2017/03/14	QUALITY SYMBOLS	GENERAL TOLERANCES (UNLESS SPECIFIED)	DIMENSION STYLE	SCALE	DESIGN UNITS	FIRST ANGLE PROJECTION																								
	∇=0 ∇=1 ∇=3	<table border="1"> <tr><th colspan="2">mm</th><th colspan="2">INCH</th></tr> <tr><td>4 PLACES</td><td>±</td><td>---</td><td>±</td></tr> <tr><td>3 PLACES</td><td>±</td><td>---</td><td>±</td></tr> <tr><td>2 PLACES</td><td>±</td><td>---</td><td>±</td></tr> <tr><td>1 PLACE</td><td>±</td><td>---</td><td>±</td></tr> <tr><td>0 PLACE</td><td>±</td><td>---</td><td>±</td></tr> </table>	mm		INCH		4 PLACES	±	---	±	3 PLACES	±	---	±	2 PLACES	±	---	±	1 PLACE	±	---	±	0 PLACE	±	---	±	MM ONLY DRAWN BY: GDESBRUERES 2017/02/10 CHECKED BY: CBOUCHAN 2017/02/10 APPROVED BY: SLAFAURE 2017/03/14	2:1	METRIC	
	mm		INCH																											
4 PLACES	±	---	±																											
3 PLACES	±	---	±																											
2 PLACES	±	---	±																											
1 PLACE	±	---	±																											
0 PLACE	±	---	±																											
DRAFT WHERE APPLICABLE MUST REMAIN WITHIN DIMENSIONS	ANGULAR ±---° SEE CHART SIZE 1	MATERIAL NO. DOCUMENT NO. SD-98982-007 SHEET NO. 1 OF 2																												

30CKT MQS FEMALE CONNECTOR

molex

MODIFICATIONS

REV.	DESCRIPTIONS	NAME	DATE
A	-DOCUMENT FIRST RELEASE.	GD	2017/02/10



REPRESENTED ITEM : BLACK CODING

MARKINGS ON PARTS

1	TERMINALS CAVITIES ID		PK-31302-279
2	MOLD CAVITY ID.		TBD
3	MATERIAL		
4	SUPPLIER PLANT PRODUCTION		
5	DATUM: MM/YY		
6	MOLD REVISION LEVEL		
7	ASSEMBLY P/N* LASER MARKING		SD-98982-010
8	ASSEMBLY LASER MARKING DATE DAY / YEAR		9,8 GRAMS

- PACKAGING ACCORDING:

- PRODUCT SPECIFICATION N°:

- APPLICATION SPECIFICATION N°:

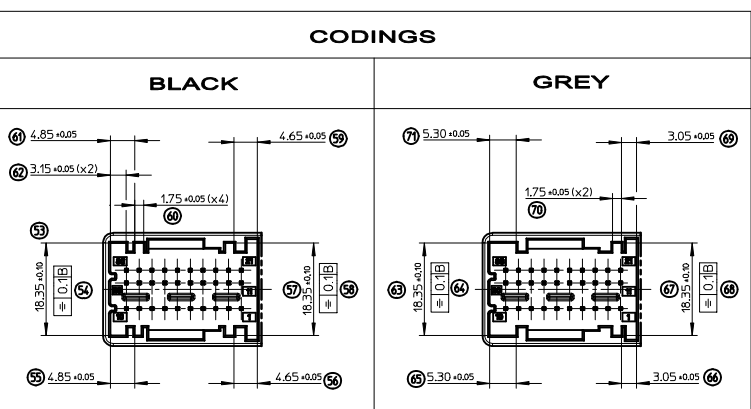
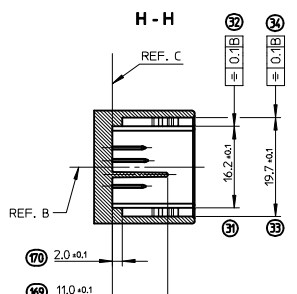
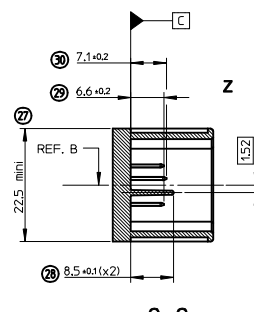
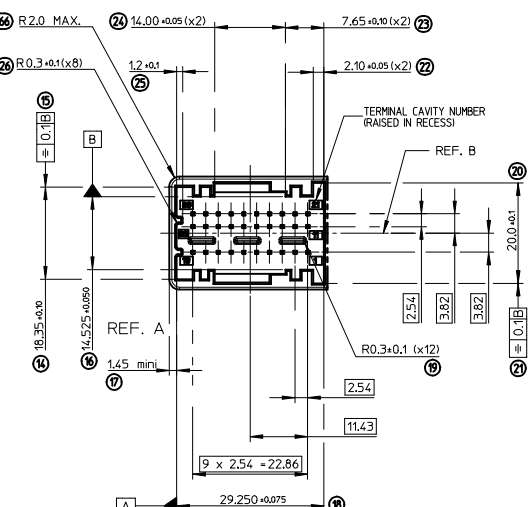
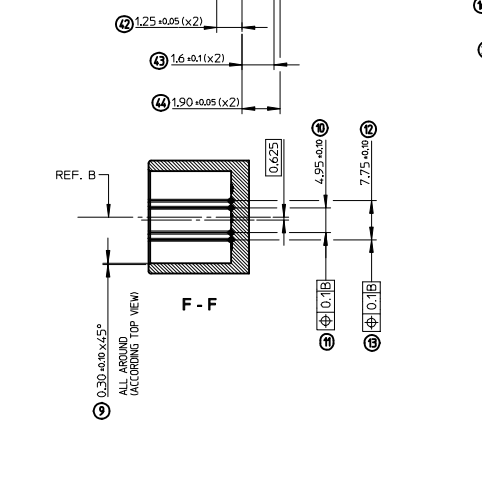
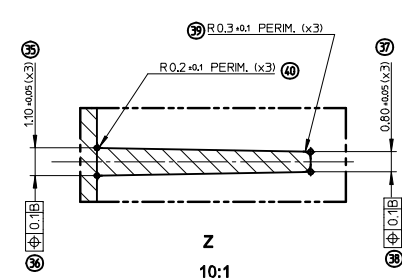
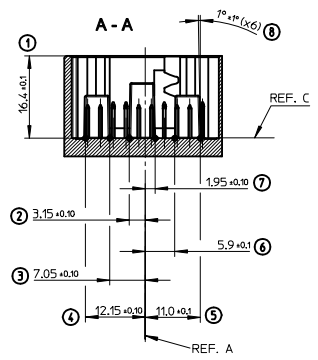
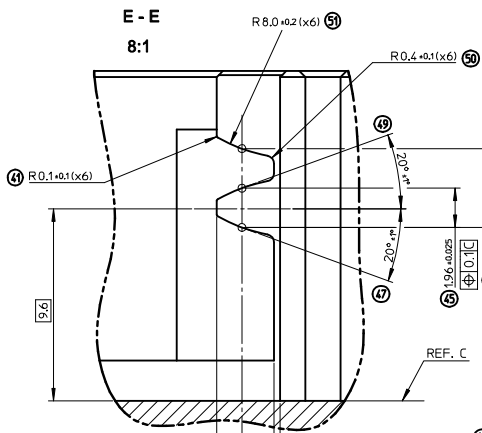
- THE FEMALE CONNECTOR WILL ONLY MATCH WITH MOLEX MODULES P/Ns:
 10CKT GREEN: 098982 5155
 10CKT BLUE: 098982 5156
 20CKT GREEN: 098982 1015
 20CKT BROWN: 098982 1019
 (SEE SHEET 0)

- CAVITIES LOCATION AS PER INTERFACE DRAWING N°:

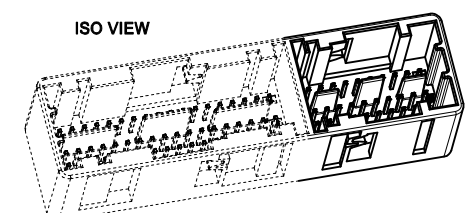
- PRODUCT WEIGHT (GRAMS):

DOC FIRST RELEASE DEC NO: G2017-0052 DWGNG: GDESBRUERES 2017/02/10 CHK: CBOUCHAN 2017/02/13 APPR: SLAFAURE 2017/03/14	QUALITY SYMBOLS ▽=0 ▽=0 ▽=3	GENERAL TOLERANCES (UNLESS SPECIFIED)		DIMENSION STYLE MM ONLY	SCALE 3:1	DESIGN UNITS METRIC	FIRST ANGLE PROJECTION
			mm	INCH	DRAWN BY: GDESBRUERES DATE: 2017/02/10	30CKT MQS FEMALE CONNECTOR DOCUMENT NO. SD-98982-007 SHEET NO. 2 OF 2	
		4 PLACES ±	±	±	CHECKED BY: CBOUCHAN DATE: 2017/02/10		
		3 PLACES ±	±	±	APPROVED BY: SLAFAURE DATE: 2017/03/14		
		2 PLACES ±	±	±			
		1 PLACE ±	±	±			
0 PLACE ±	±	±					
DRAFT WHERE APPLICABLE MUST REMAIN WITHIN DIMENSIONS				SEE SHEET 1	THIS DRAWING CONTAINS INFORMATION THAT IS PROPRIETARY TO MOLEX INCORPORATED AND SHOULD NOT BE USED WITHOUT WRITTEN PERMISSION		

DESIGN INTERFACE 30 WAY MQS



- NOTES:**
- 1-HEADER MATERIAL: PBT GF (GLASS FIBER). WITH TENSILE MODULUS OF 8000 MPa MINIMUM AT 23°C AND STRAIN AT BREAK MIN 2%. SEE SHEET 3/4.
 - 2-TERMINALS:
 - 3-RADI WITHOUT DIMENSION: R0.3mm.

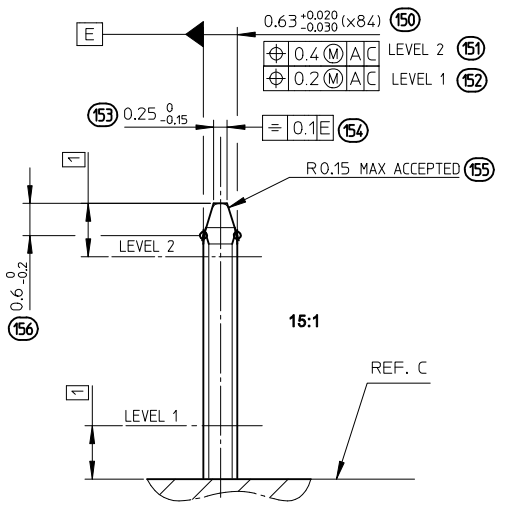
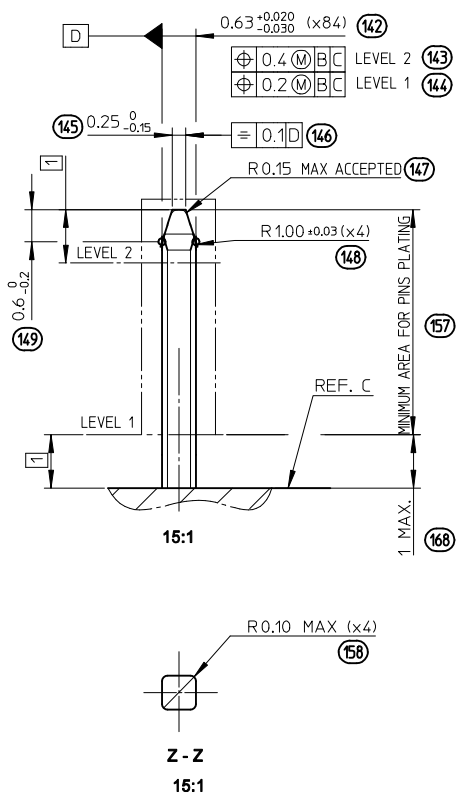


REV.	DESCRIPTION	DATE
A	1	17
	78	
	LAST	REMOVED
		NEW

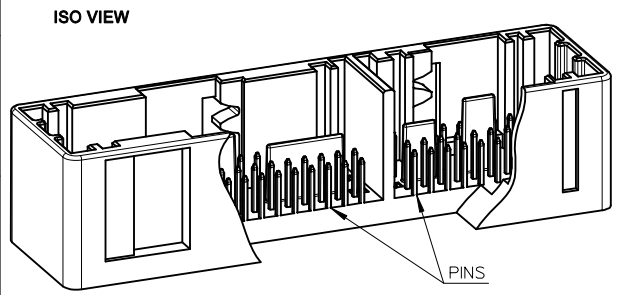
DOC FIRST RELEASE EC NO: G2017-0018 DRAWING: GDESBRUERES 2016/10/03 CHKD: TBADAROUX 2016/10/03 APPR: CBOUCHAN 2017/05/10	QUALITY SYMBOLS ✓ ±0 ✓ ±0.20 ✓ ±0.20	GENERAL TOLERANCES (UNLESS SPECIFIED) mm INCH 4 PLACES ± --- ± --- 3 PLACES ± 0.20 ± --- 2 PLACES ± 0.20 ± --- 1 PLACE ± 0.20 ± --- 0 PLACE ± 0.20 ± ---		DIMENSION STYLE MM ONLY	SCALE 2:1	DESIGN UNITS METRIC	FIRST ANGLE PROJECTION
		DRAWN BY: GDESBRUERES 2016/10/03 CHECKED BY: TBADAROUX 2016/10/03 APPROVED BY: CBOUCHAN 2017/05/10		MATERIAL NO. N A		TITLE INTERFACE DRAWING 30 + 54 WAY - MQS	
		DRAFT WHERE APPLICABLE MUST REMAIN WITHIN DIMENSIONS		DOCUMENT NO. SD-98982-010		SHEET NO. 1 OF 4	



PIN DESIGN FOR INTERFACE 30 AND 54 WAY MQS



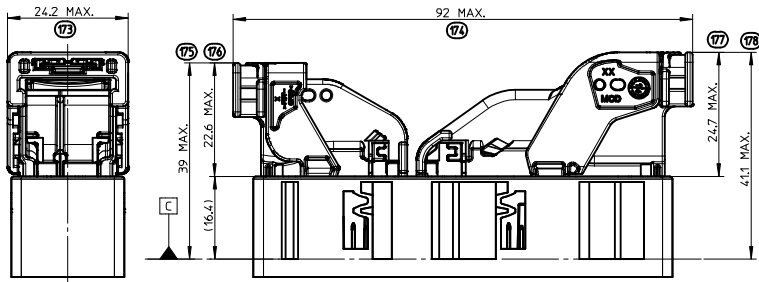
- NOTES:**
- (159) 1 - TERMINALS MATERIAL: CuSn6 or CuZn30 (CuNiSi or CuFe2 or alternative)
 - 2 - FINISH:
 Gold plated 0.4μ min over Nickel coating 1.27μ
 Tin plated 0.8 to 3.3μ min over Nickel coating 1.27μ



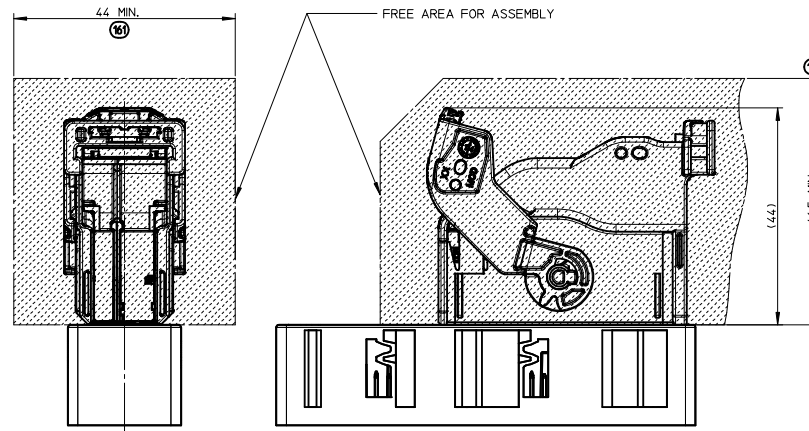
MODIFICATIONS			
REV.	DESCRIPTIONS	NAME	DATE
A	-DOCUMENT FIRST RELEASE.	GD	2016/10/03

DOC FIRST RELEASE IEC NO: G2017-0018 DRAWN: GDESBRUERES 2016/10/03 CHKD: TBADAROUX 2016/10/03 APPR: CBOUCHAN 2017/05/10	QUALITY SYMBOLS 	GENERAL TOLERANCES (UNLESS SPECIFIED)		DIMENSION STYLE MM ONLY		SCALE 2:1	DESIGN UNITS METRIC	FIRST ANGLE PROJECTION
		4 PLACES ± --- ± --- 3 PLACES ± 0.20 ± --- 2 PLACES ± 0.20 ± --- 1 PLACE ± 0.20 ± --- 0 PLACE ± 0.20 ± ---	mm INCH	DRAWN BY DATE GDESBRUERES 2016/10/03	TITLE INTERFACE DRAWING 30 + 54 WAY - MQS			
		DRAFT WHERE APPLICABLE MUST REMAIN WITHIN DIMENSIONS			APPROVED BY DATE CBOUCHAN 2017/05/10	MATERIAL NO. DOCUMENT NO. N A SD-98982-010		SHEET NO. 3 OF 4
THIS DRAWING CONTAINS INFORMATION THAT IS PROPRIETARY TO MOLEX INCORPORATED AND SHOULD NOT BE USED WITHOUT WRITTEN PERMISSION								

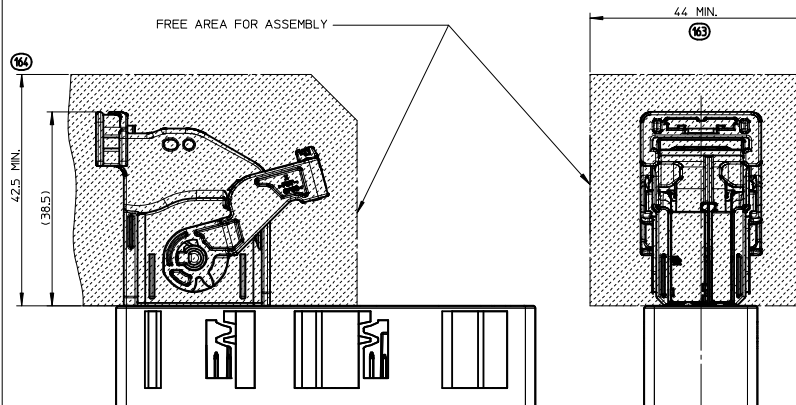
OVERALL DIMENSIONS CONNECTORS MATED ON THE HEADER 30 + 54 WAY MQS



VOLUME NEEDED FOR THE MATING OF THE RECEPTACLE HOUSING 54 WAY MQS

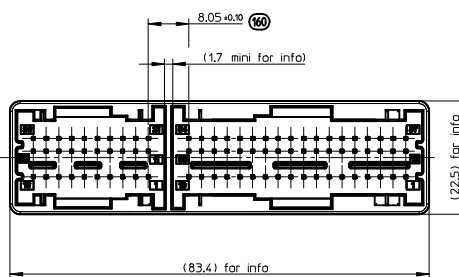


VOLUME NEEDED FOR THE MATING OF THE RECEPTACLE HOUSING 30 WAY MQS



HARNES EXIT

HARNES EXIT



MODIFICATIONS

REV.	DESCRIPTIONS	NAME	DATE
A	-DOCUMENT FIRST RELEASE	GD	2016/10/03

DOC FIRST RELEASE EC NO: G2017-0018 DRAWN BY: GDESBRUERES 2016/10/03 CHKD: TBADAROUX 2016/10/03 APPR: CBOUCHAN 2017/05/10	QUALITY SYMBOLS 4 PLACES ± 0.20 3 PLACES ± 0.20 2 PLACES ± 0.20 1 PLACE ± 0.20 0 PLACE ± 0.20	GENERAL TOLERANCES (UNLESS SPECIFIED) mm INCH	DIMENSION STYLE MM ONLY	SCALE 2:1	DESIGN UNITS METRIC	FIRST ANGLE PROJECTION
		ANGULAR ± 2° DRAFT WHERE APPLICABLE MUST REMAIN WITHIN DIMENSIONS	DRAWN BY DATE GDESBRUERES 2016/10/03 CHECKED BY DATE TBADAROUX 2016/10/03 APPROVED BY DATE CBOUCHAN 2017/05/10	MATERIAL NO. NA	TITLE INTERFACE DRAWING 30 + 54 WAY - MQS	DOCUMENT NO. SD-98982-010

molex

THIS DRAWING CONTAINS INFORMATION THAT IS PROPRIETARY TO MOLEX INCORPORATED AND SHOULD NOT BE USED WITHOUT WRITTEN PERMISSION