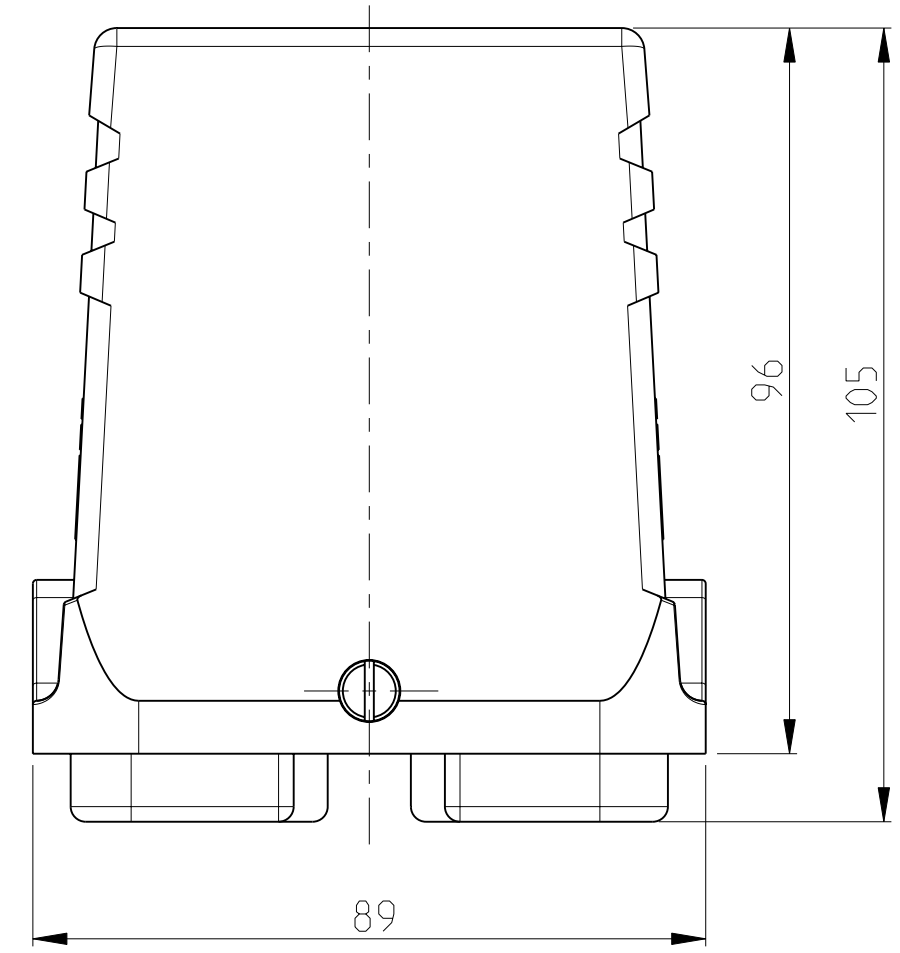
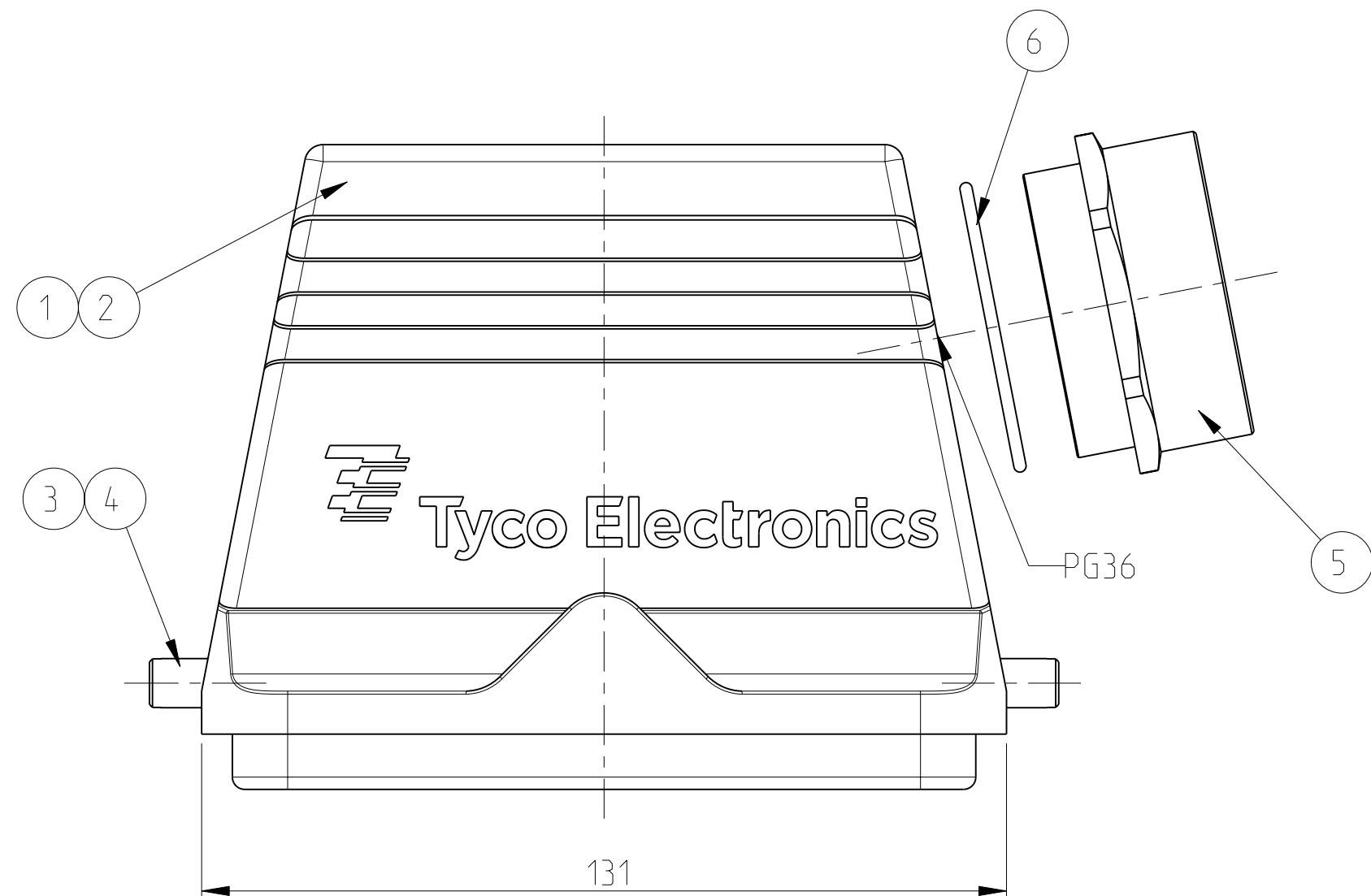


THIS DRAWING IS UNPUBLISHED. RELEASED FOR PUBLICATION 2011
 © COPYRIGHT 2011 ALL RIGHTS RESERVED.

LOC	DIST	REVISIONS				
P	LTR	DESCRIPTION	DATE	DWN	APVD	
A	-	B	REVISED PER ECO-11-008142	19APR2011	HMR	MM



NOTES

- 1 PART SHALL BE FREE AND CLEAN OF BURRS AND OTHER FOREIGN MATERIAL
- 2 PACKAGING: QUANTITY 3 PIECES
- 3 VARNISHING INSIDE HOUSING NOT REQUIRED

OBSOLETE

QTY	DESCRIPTION	MATERIAL	SURFACE	COLOR	ITEM	NOTES
1	O RING	NEOPRENE		BLACK	6	PG36
1	1 ADAPTOR	BRASS	NICKEL PLATED	BLUE	5	PG36
2	CLIP BOLT	STAINLESS STEEL	BLANK		4	
2	CLIP BOLT	STEEL	ZINC PLATED	BLUE	3	
1	HOOD HB-K	ALU	ALUMINIUM OXID	BLACK	2	
1	HOOD HB	ALU		GREY	1	
2-7	1-7	DESCRIPTION	MATERIAL	SURFACE	COLOR	ITEM
		HB.48.STS-GR.1.36.Z				
		HB-K.48.STS-GR.1.36.G				

THIS DRAWING IS A CONTROLLED DOCUMENT.

DWN R.SCHNEIDER 05AUG2008	TE Connectivity HOOD HB.48	NAME	
CHK I.SCHNURPFIL 05AUG2008		APVD	
	PRODUCT SPEC	SIZE	CAGE CODE
	APPLICATION SPEC	DRAWING NO	RESTRICTED TO
	WEIGHT	A2	00779
	CUSTOMER DRAWING	SCALE	5:1
		SHEET	1 OF 1
		REV	B