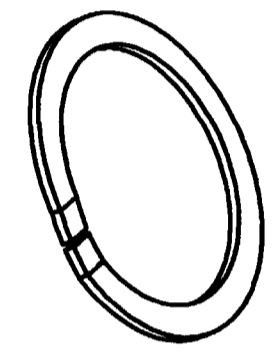
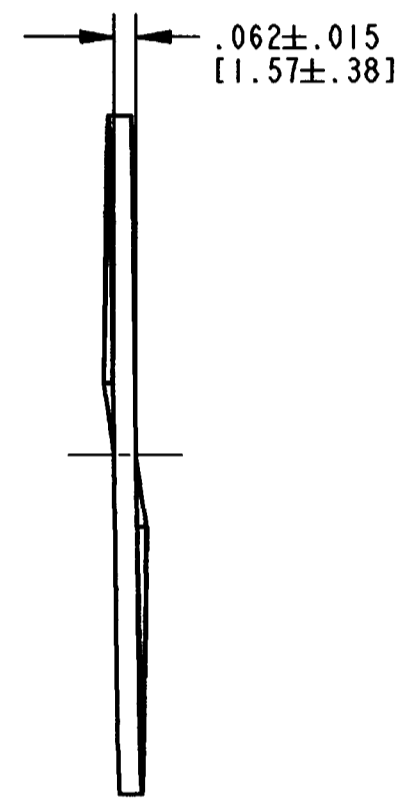
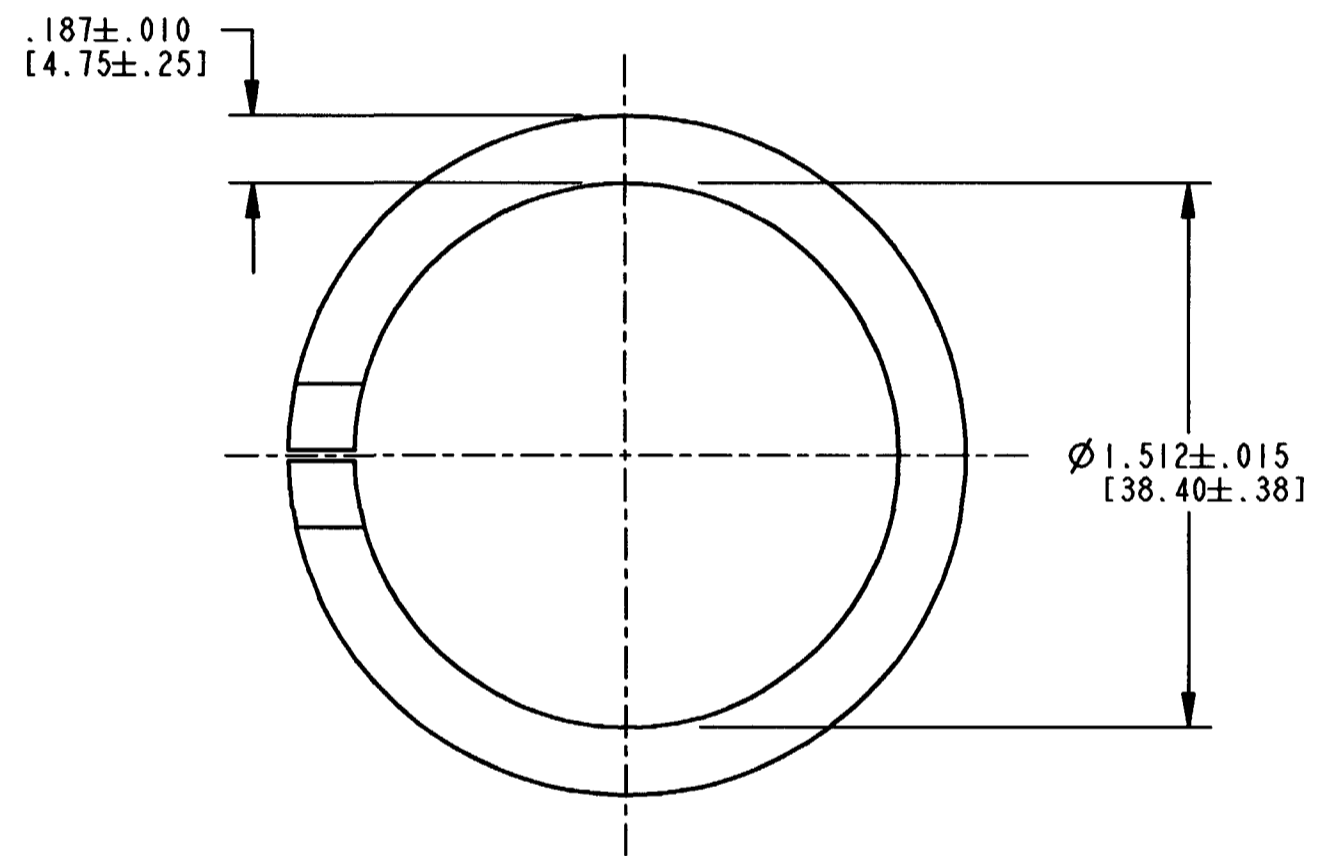


REV  
D 114021

REVISIONS			
SYM	DESCRIPTION	DATE	APPROVED
B	REVISED/REDRAWN PER E.O. 73039	4/4/74	ANDREWS
C	REVISED PER E.O. P18581	6/14/04	R.D.R.
D	REVISED PER E.O. P19795	4-25-08	AD



3D VIEW

NOTES: 1. MATERIAL - STAINLESS STEEL.

SIGNATURE & DATE	
DR	X. SANCHEZ 21MAY04
CHK	[Signature] 4/25/08
PE	[Signature] 4/21/08
APPD	[Signature] 4-23-08
SCALE	NONE WT

LOCKWASHER  
RECEPTACLE  
BAYONET COUPLING CONNECTOR  
SIZE 18  
HD SERIES  
  
ENVELOPE

CP	MATL. CODE
<b>The Deutch Company</b> DEUTSCH I.P.D. 3850 INDUSTRIAL AVE. HEMET, CALIF. 92545	
<b>B</b>	<b>114021</b>
DWG SIZE	CODE 11139 SHEET   OF