

NOTE :

- 1. POS. 8 LABEL - ON WHITE WIRE FOR 4 POL. VERSIONS
- ON GREEN/YELLOW OR GREY WIRE FOR 5 AND 8 POL, VERSIONS
- NO LABEL FOR 12 POL. VERSIONS

BILL OF MATERIAL

ITEM	COMPONENT	MATERIAL	FINISH
1	REC SHELL	BRASS	NICKEL PLATED
2	INSERT	PUR	BLACK
3	CONTACT	BRASS /GOLD	CuZn Ni/Au
4	WIRES	COPPER/PVC	NONE
5	O-RING	NBR	BLACK
6	O-RING	VITON	RED
7	POTTING MATERIAL	WEVO	NONE
8	LABEL	-	YELLOW

DOCUMENT STATUS	P1	RELEASE DATE	2022/07/22	12:02:27
-----------------	----	--------------	------------	----------

SYMBOLS		THIS DRAWING CONTAINS INFORMATION THAT IS PROPRIETARY TO MOLEX ELECTRONIC TECHNOLOGIES, LLC AND SHOULD NOT BE USED WITHOUT WRITTEN PERMISSION	
▽ = 0	mm	SCALE	2:1
▽ = 0	GENERAL TOLERANCES (UNLESS SPECIFIED)		
▽ = 0	ANGULAR TOL ± 1.0°		
▽ = 0	4 PLACES	±	
▽ = 0	3 PLACES	±	
▽ = 0	2 PLACES	±	0.05
▽ = 0	1 PLACE	±	0.3
▽ = 0	0 PLACES	±	0.5
■ = 0	DRAFT WHERE APPLICABLE MUST REMAIN WITHIN DIMENSIONS		
▽ = 0	THIRD ANGLE PROJECTION		
CURRENT REV DESC: NEW P/N ADDED		EC NO: 714426	
		DRWN: RSILLER	2022/07/15
		CHK'D: THAERDT	2022/07/22
		APPR: THAERDT	2022/07/22
INITIAL REVISION:		DRWN: SSM 2017/09/26	
		APPR: RSILLER 2017/12/15	
DOCUMENT NUMBER		1200845107	DOC TYPE DOC PART REVISION
		PSD	000 A6
MATERIAL NUMBER		A3-SIZE	SHEET NUMBER
SEE SHEET 3		120084	1 OF 3
CUSTOMER		GENERAL MARKET	

molex

REC U12 XP AC FE XM M16 FM WIR BRA AU

PRODUCT CUSTOMER DRAWING

4 POLE VERSIONS

PIN	WIRE COLOR
1	BROWN
2	WHITE
3	BLUE
4	BLACK

5 POLE VERSIONS

PIN	WIRE COLOR
1	BROWN
2	WHITE
3	BLUE
4	BLACK
5	GREEN/YELLOW OR GREY

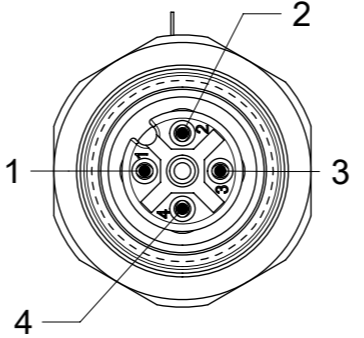
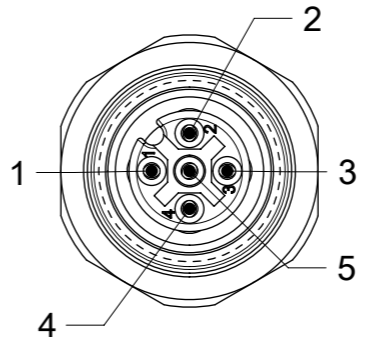
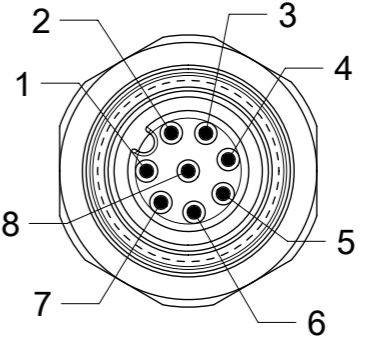
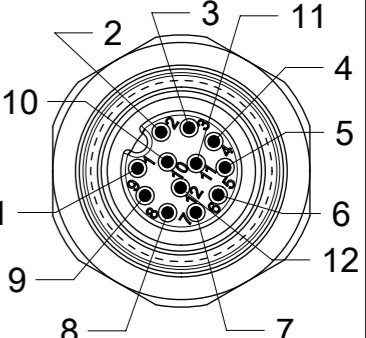
8 POLE VERSIONS

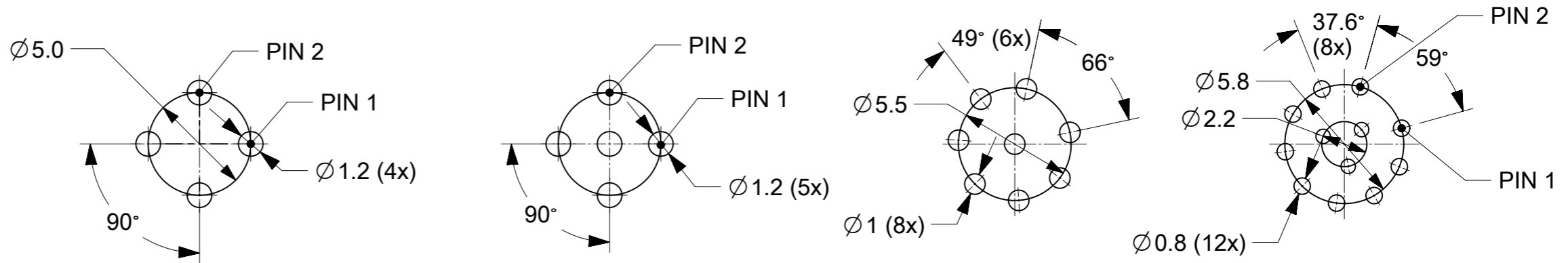
PIN	WIRE COLOR
1	WHITE
2	BROWN
3	GREEN
4	YELLOW
5	GREY
6	PINK
7	BLUE
8	RED

12 POLE VERSIONS

PIN	WIRE COLOR
1	WHITE
2	BROWN
3	GREEN
4	YELLOW
5	GREY
6	PINK
7	BLUE
8	RED
9	BLACK
10	VIOLET
11	GRAY/PINK
12	RED/BLUE

TABLE 3

POLES	4 POLE	5 POLE	8 POLE	12 POLE
LAYOUT				
VOLTAGE RATING	250V	60V	30V	30V
CODING	A - Code	A - Code	A - Code	A - Code
AMPERE RATING	4A	4A	2A	1.5A
PROTECTION CLASS CONNECTOR INTERFACE SHELL TO ENCLOSURE	IP 67/69K (in mated condition / when properly installed)			
OPERATING TEMP.	-25°C / 85°C			
CSA CERTIFICATION	FILE NO. LR6837			
WIRE LEAD	0.34 mm ² PVC	0.34 mm ² PVC	0.25 mm ² PVC	0.14 mm ² PVC
PIN DIAMETER	1.0 mm	1.0 mm	0.8 mm	0.6 mm
WIRE COLOR	ACCORDING TO IEC 60947-5-2		ACCORDING TO DIN 47100	



DRILL LAYOUT BACKSIDE

SYMBOLS DIMENSION UNITS SCALE THIS DRAWING CONTAINS INFORMATION THAT IS PROPRIETARY TO MOLEX ELECTRONIC TECHNOLOGIES, LLC AND SHOULD NOT BE USED WITHOUT WRITTEN PERMISSION CURRENT REV DESC: NEW P/N ADDED	mm 2:1	molex REC U12 XP AC FE XM M16 FM WIR BRA AU PRODUCT CUSTOMER DRAWING	
	GENERAL TOLERANCES (UNLESS SPECIFIED) ANGULAR TOL ± 1.0°		
	EC NO: 714426 DRWN: RSILLER 2022/07/15 CHK'D: THAERDT 2022/07/22 APPR: THAERDT 2022/07/22		
4 PLACES ± 3 PLACES ± 2 PLACES ± 0.05 1 PLACE ± 0.3 0 PLACES ± 0.5	INITIAL REVISION: DRWN: SSM 2017/09/26 APPR: RSILLER 2017/12/15		
DRAFT WHERE APPLICABLE MUST REMAIN WITHIN DIMENSIONS	THIRD ANGLE PROJECTION	DRAWING A3-SIZE	
	SERIES 120084	MATERIAL NUMBER SEE SHEET 3	
	CUSTOMER GENERAL MARKET	DOCUMENT NUMBER 1200845107	
		DOC TYPE PSD	
		DOC PART 000	
		REVISION A6	
		SHEET NUMBER 2 OF 3	

PART LIST

4 POLE VERSIONS

MOLEX P/N	ENGINEERING NR.	L [mm]	TOL
1200845107	WR4U20E03C3003	300	±10
1200250006	WR4U20E03C300	300	±10
1200848085	WR4U20E03C500	500	±10
1200848242	WR4U20E03M0203	2000	±10

5 POLE VERSIONS


MOLEX P/N	ENGINEERING NR.	L [mm]	TOL	PIN 5
1200845113	WR5U20E03C3003	300	±10	GN/YE
1200848027	WR5U20E03C500	500	±10	GN/YE
1200848037	WR5U20E03M020	2000	±10	GREY
1200848124	WR5U20E03M010	1000	±10	GN/YE

8 POLE VERSIONS

MOLEX P/N	ENGINEERING NR.	L [mm]	TOL
1200845002	WR8U20E02M010	1000	±10
1200845095	WR8U20E02C300	300	±10

12 POLE VERSIONS

MOLEX P/N	ENGINEERING NR.	L [mm]	TOL
1200845012	WRCU20E01C200	200	±10
1200845013	WRCU20E01C300	300	±10

SYMBOLS ▽ = 0 ▽ = 0 ▽ = 0 ▽ = 0 ▽ = 0 ▽ = 0 ▽ = 0 ▽ = 0 ▽ = 0 ▽ = 0	THIS DRAWING CONTAINS INFORMATION THAT IS PROPRIETARY TO MOLEX ELECTRONIC TECHNOLOGIES, LLC AND SHOULD NOT BE USED WITHOUT WRITTEN PERMISSION		CURRENT REV DESC: NEW P/N ADDED		 REC U12 XP AC FE XM M16 FM WIR BRA AU		
	DIMENSION UNITS	SCALE	EC NO: 714426			DOCUMENT NUMBER	
	mm	1:1	DRWN: RSILLER 2022/07/15			1200845107	
	GENERAL TOLERANCES (UNLESS SPECIFIED)		CHK'D: THAERDT 2022/07/22		DOC TYPE	DOC PART	REVISION
	ANGULAR TOL ± 1.0°		APPR: THAERDT 2022/07/22		PSD	000	A6
	4 PLACES ±		INITIAL REVISION:		MATERIAL NUMBER		CUSTOMER
	3 PLACES ±		DRWN: SSM 2017/09/26		SEE PART LIST		GENERAL MARKET
	2 PLACES ± 0.05		APPR: RSILLER 2017/12/15		SERIES		SHEET NUMBER
	1 PLACE ± 0.3		DRAFT WHERE APPLICABLE MUST REMAIN WITHIN DIMENSIONS		A3-SIZE		120084
	0 PLACES ± 0.5		THIRD ANGLE PROJECTION		DRAWING		3 OF 3