

Panel feed-through - SACC-DSI-M12MS-5CON-PG9-L180 - 1409464

Please be informed that the data shown in this PDF Document is generated from our Online Catalog. Please find the complete data in the user's documentation. Our General Terms of Use for Downloads are valid (<http://phoenixcontact.com/download>)




Sensor/actuator flush-type male connector, 5-pos., M12 standard thread, A-coded, rear/screw mounting with Pg9 thread, with straight solder connection

Your advantages

- Easy PCB assembly: one-piece connectors for wave soldering
- All standard pin assignments and codings for signal, data, and power transmission with a uniform design-in design



Key Commercial Data

Packing unit	20 pc
Minimum order quantity	20 pc
GTIN	 4 046356 893541
GTIN	4046356893541

Technical data

Ambient conditions

Degree of protection	IP65/IP67
----------------------	-----------

General

Note	The electrical and mechanical data specified assume that the connector pair is correctly locked and mounted. If the connector is unlocked and if there is a danger of contamination, the connector must be sealed using a protective cap > IP54. Influences arising from litz wires, cables or PCB assembly must also be taken into consideration.
Rated current at 40°C	4 A
Rated voltage	60 V
Number of positions	5
Standards/regulations	M12 connector IEC 61076-2-101
Overvoltage category	II
Degree of pollution	3

Material

Flammability rating according to UL 94	V0
--	----

Panel feed-through - SACC-DSI-M12MS-5CON-PG9-L180 - 1409464

Technical data

Cable

Standards/specifications	M12 connector IEC 61076-2-101
--------------------------	-------------------------------

Standards and Regulations

Standard designation	M12 connector
Standards/regulations	IEC 61076-2-101
Flammability rating according to UL 94	V0

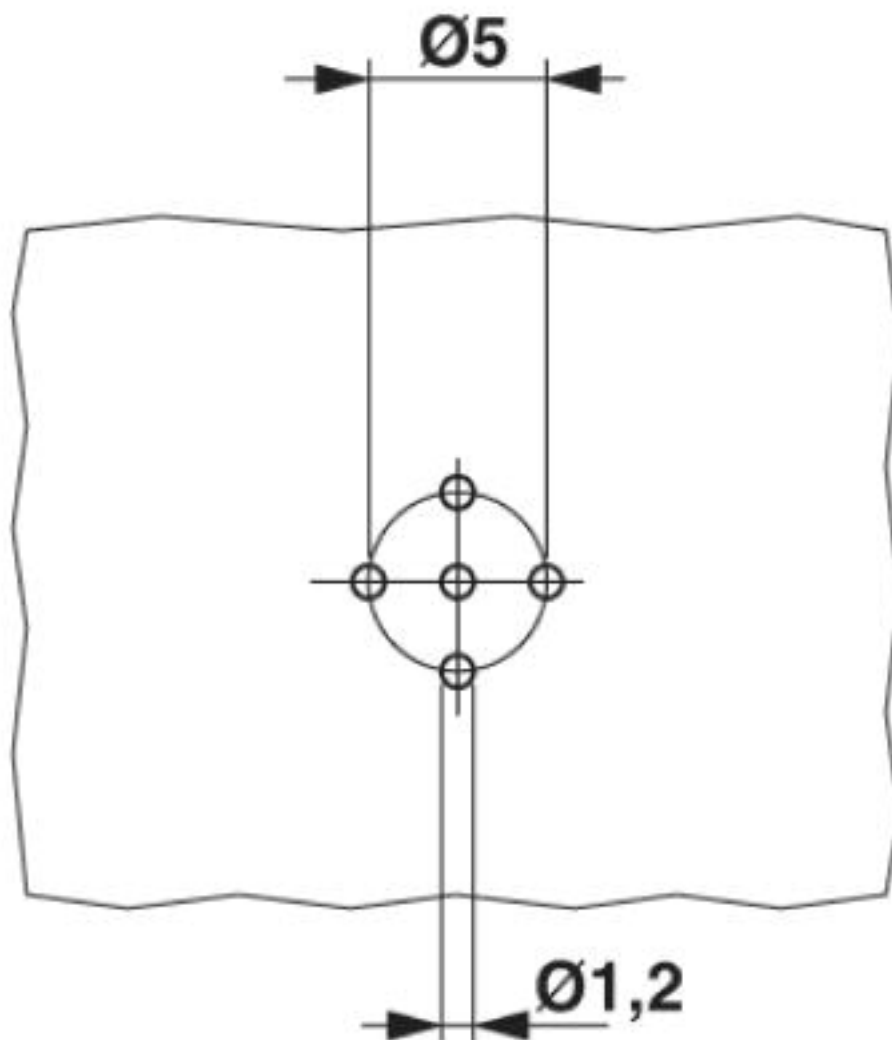
Environmental Product Compliance

REACH SVHC	Lead 7439-92-1
China RoHS	Environmentally Friendly Use Period = 50
	For details about hazardous substances go to tab "Downloads", Category "Manufacturer's declaration"

Drawings

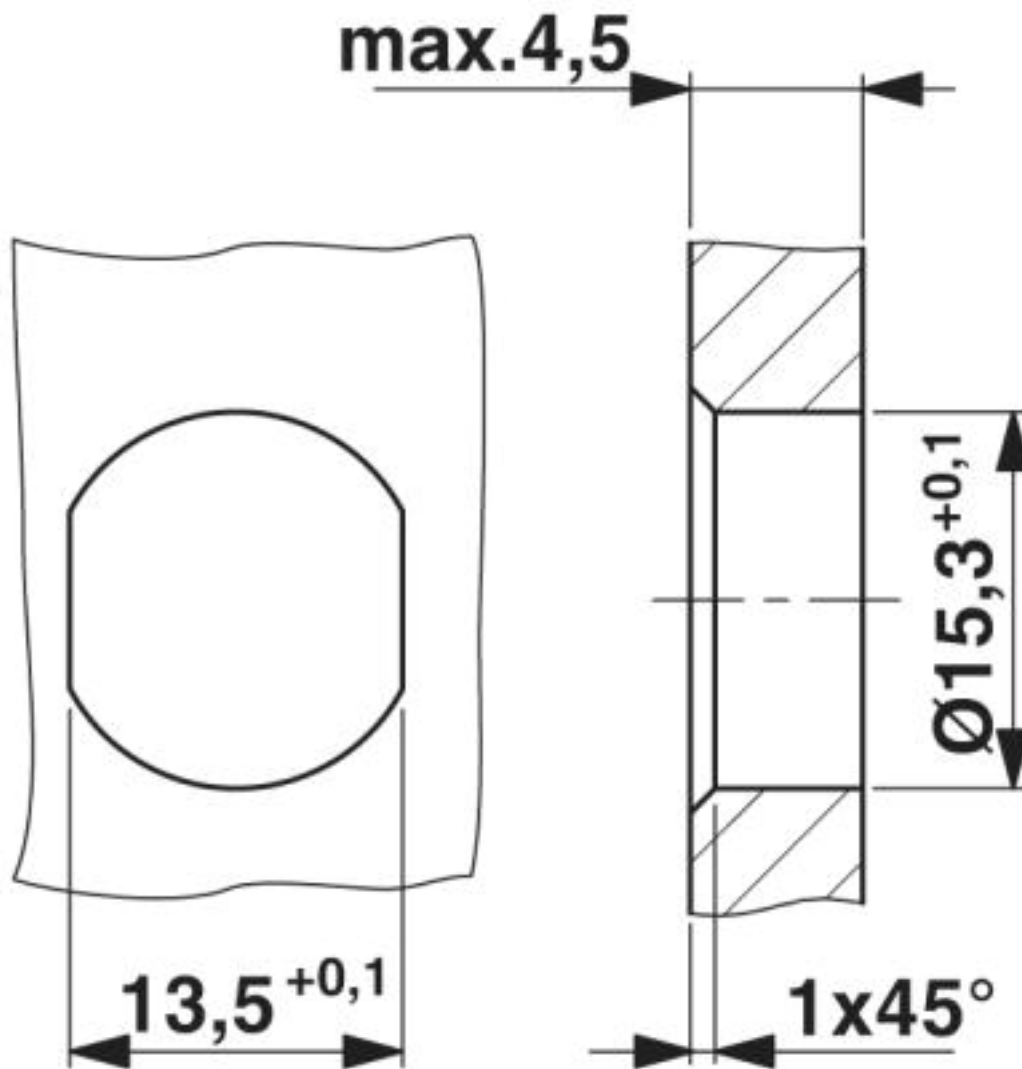
Panel feed-through - SACC-DSI-M12MS-5CON-PG9-L180 - 1409464

Drilling diagram



Panel feed-through - SACC-DSI-M12MS-5CON-PG9-L180 - 1409464

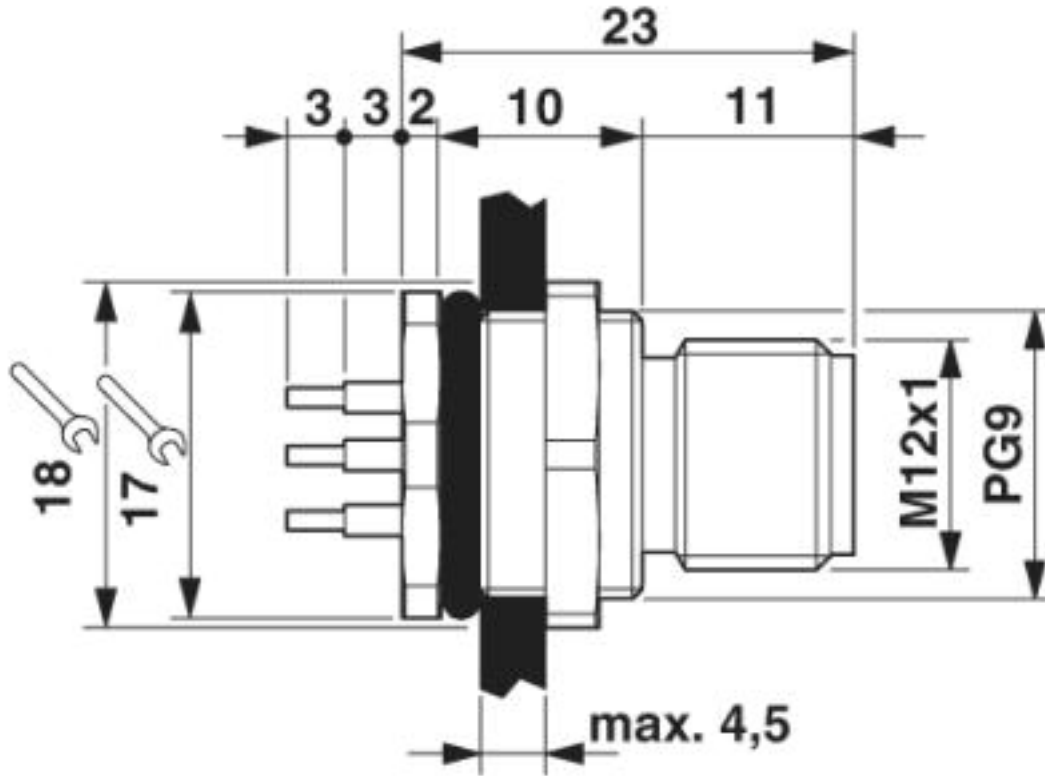
Dimensional drawing



Housing cutout for Pg9 fastening thread, mounting panel with feed-through hole (alternatively with area as anti-rotation protection for panel thicknesses > 2 mm up to max. 4.5 mm)

Panel feed-through - SACC-DSI-M12MS-5CON-PG9-L180 - 1409464

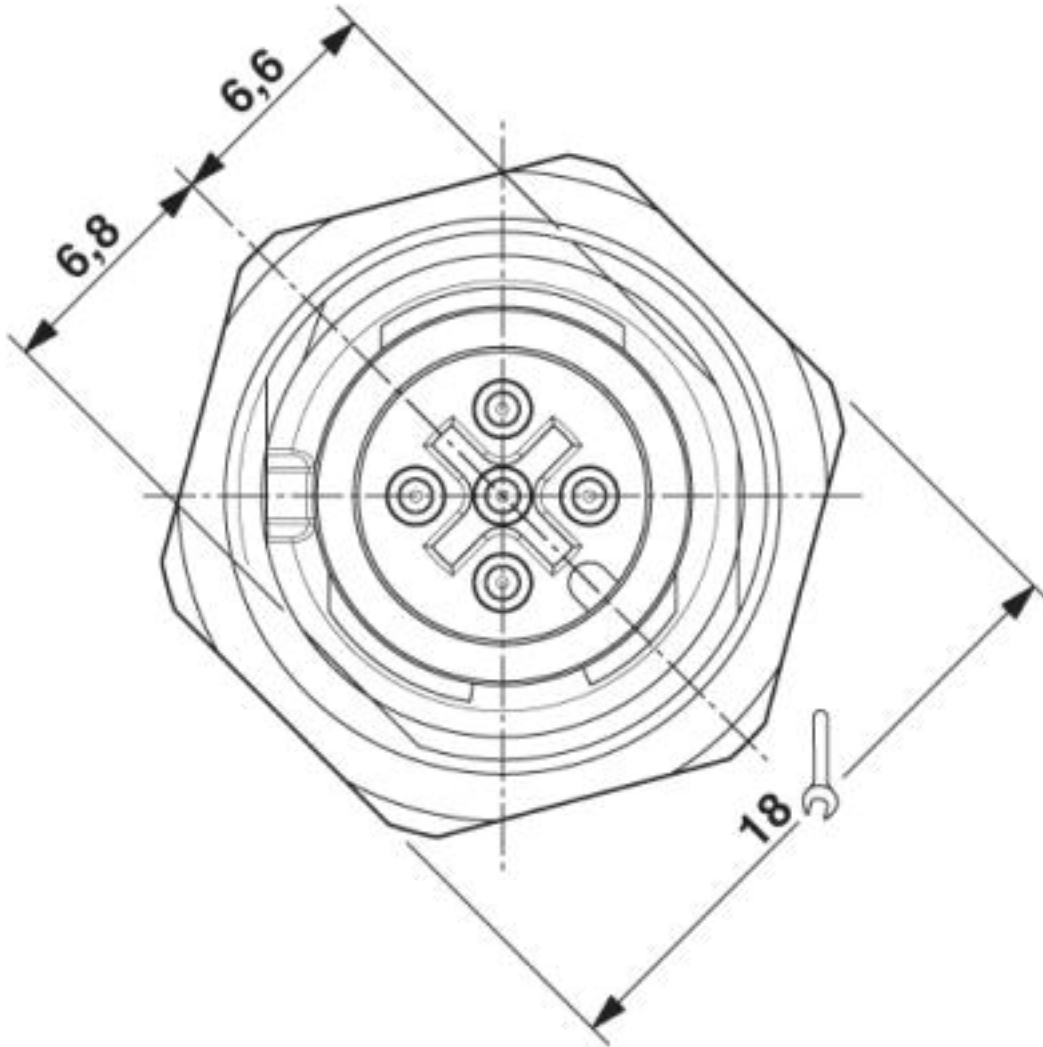
Dimensional drawing



M12 flush-type plug

Panel feed-through - SACC-DSI-M12MS-5CON-PG9-L180 - 1409464

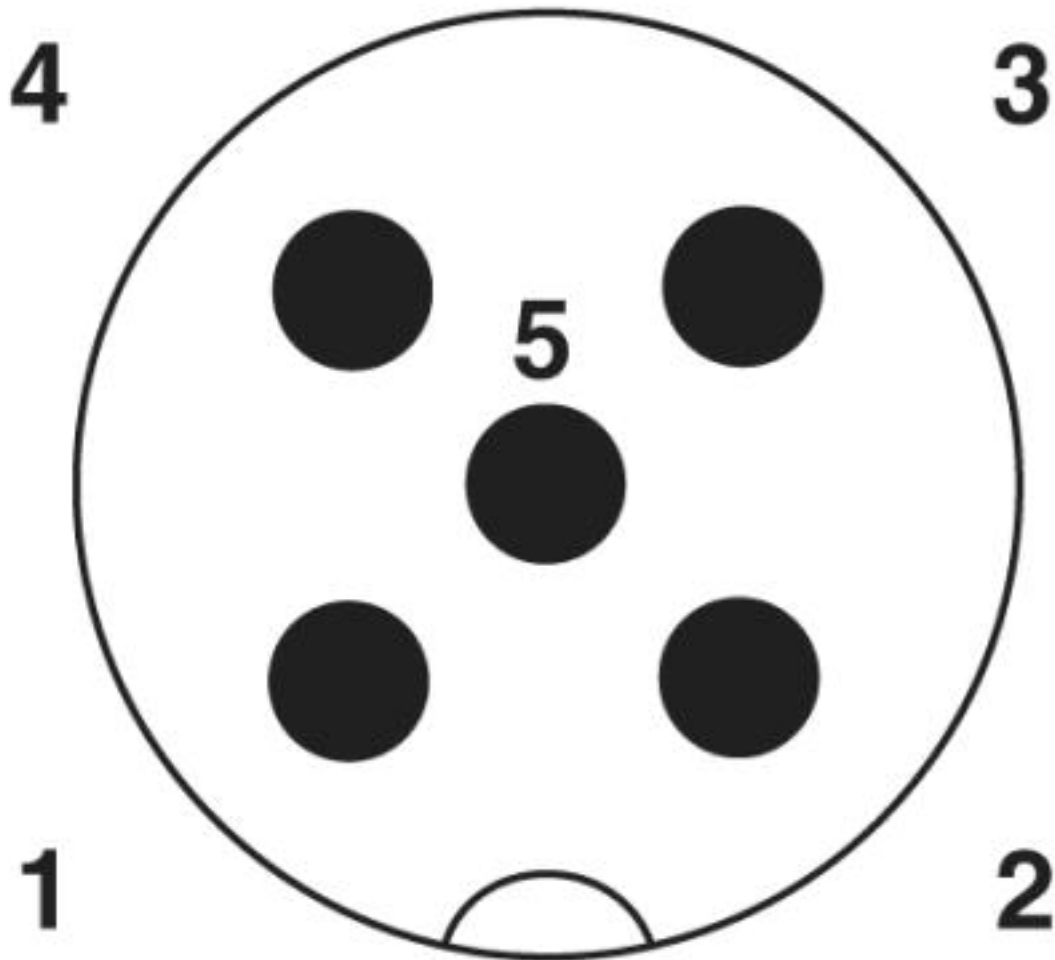
Dimensional drawing



M12 front view

Panel feed-through - SACC-DSI-M12MS-5CON-PG9-L180 - 1409464

Schematic diagram



Pin assignment M12 male connector, 5-pos., A-coded, male side

Approvals

Approvals

Approvals

EAC

Ex Approvals

Approval details

Panel feed-through - SACC-DSI-M12MS-5CON-PG9-L180 - 1409464

Approvals

EAC



B.01742

Phoenix Contact 2019 © - all rights reserved
<http://www.phoenixcontact.com>

PHOENIX CONTACT GmbH & Co. KG
Flachsmarktstr. 8
32825 Blomberg
Germany
Tel. +49 5235 300
Fax +49 5235 3 41200
<http://www.phoenixcontact.com>