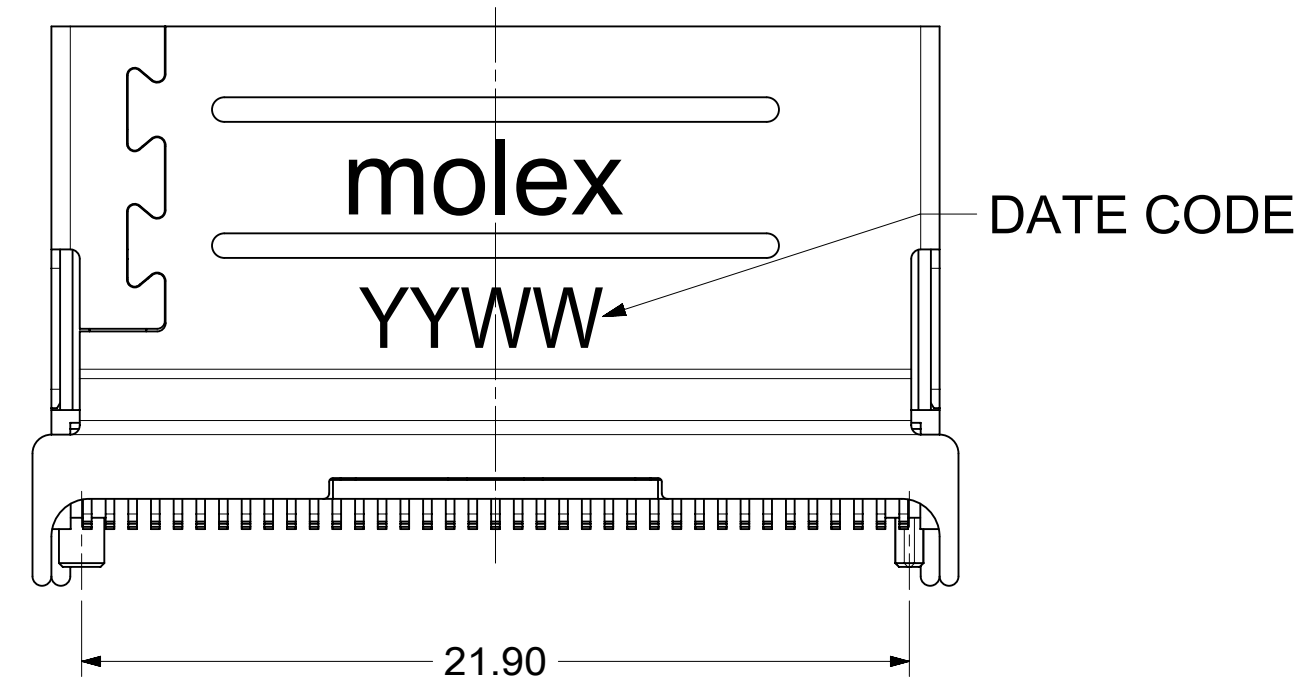
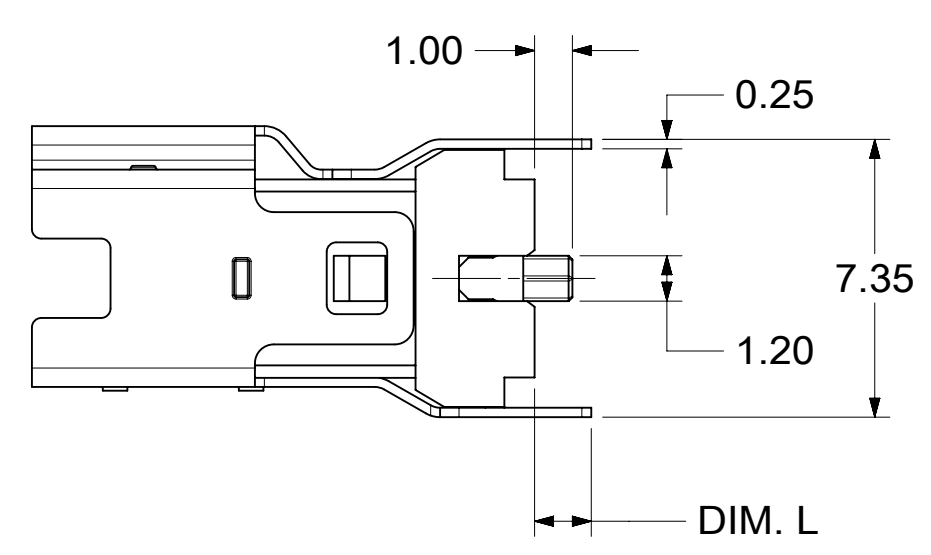
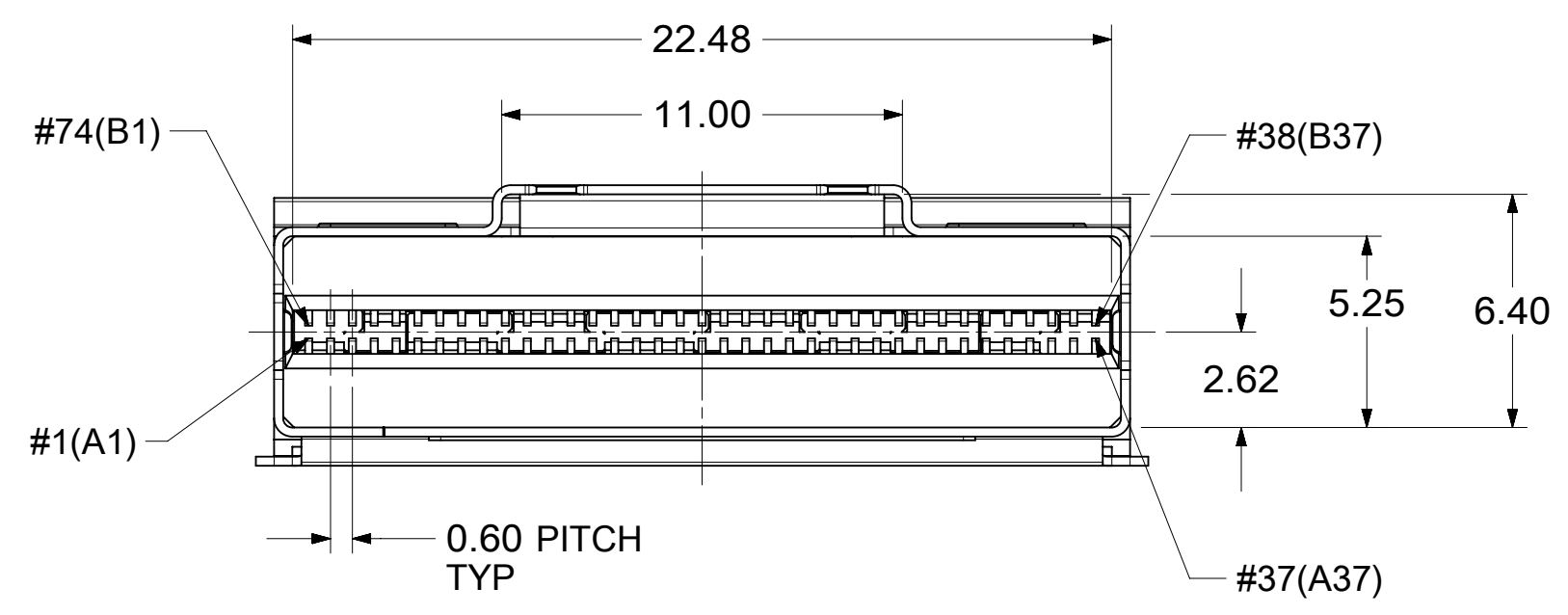
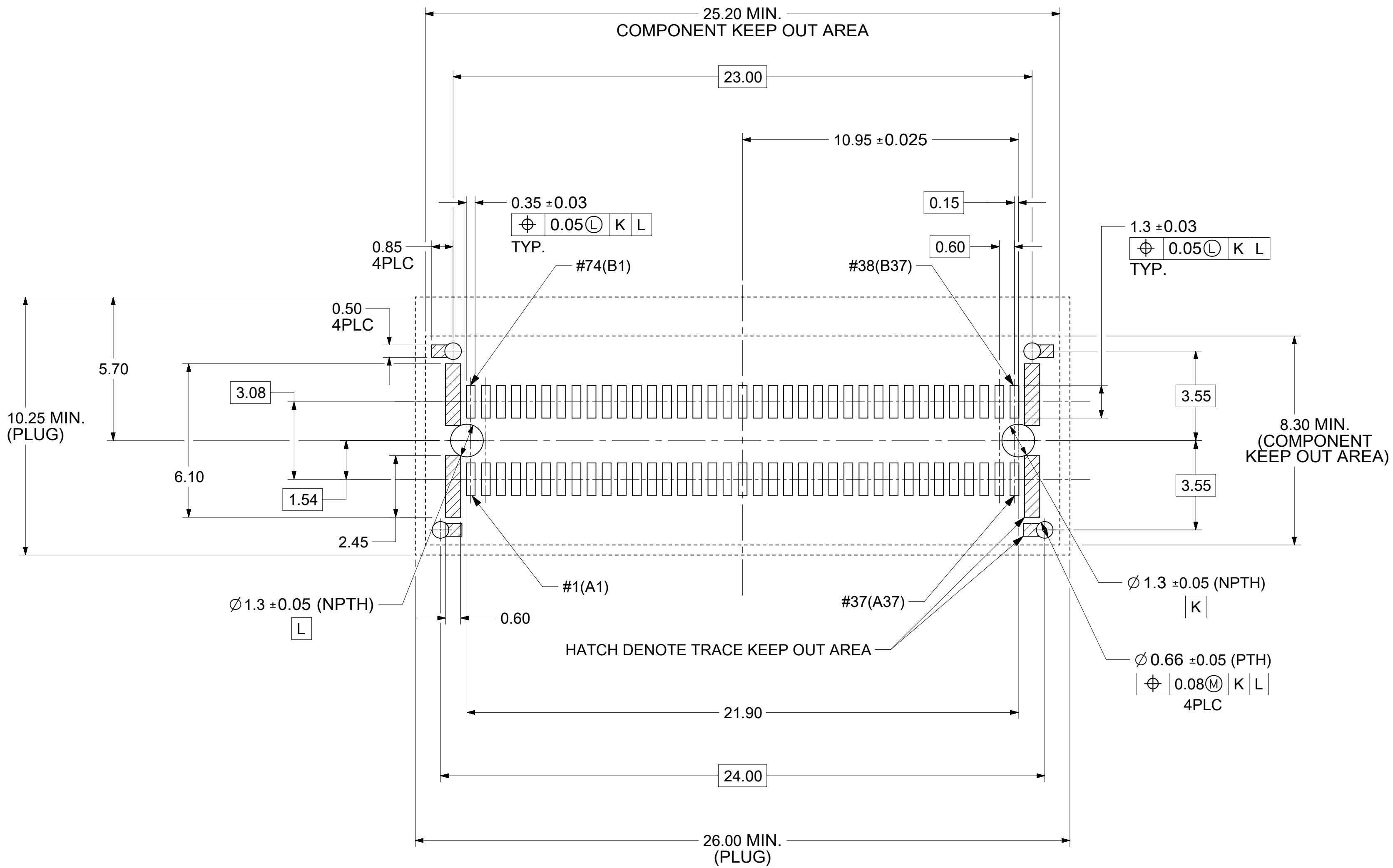


NOTE:
 1. MATERIAL:
 HOUSING : LCP, UL94-V0, BLACK COLOR
 INSERT MOLD: LCP, UL94-V0, BLACK COLOR
 CONTACT: COPPER ALLOY
 GROUND: COPPER ALLOY
 SHELL: NICKEL SILVER
 2. FINISH:
 CONTACT:
 GOLD PLATING (SEE TABLE) ON CONTACT AREA
 100u" MIN. MATTE TIN PLATING ON SOLDER TAIL
 50u" MIN. NICKEL UNDER PLATING OVERALL
 GROUND:
 50u" MIN. NICKEL PLATING OVERALL
 3. SOLDER TAILS COPLANARITY TO BE 0.1 MAXIMUM.
 4. ROHS COMPLIANT



0.375um[15u"]	4.2	2119663008
	3.0	2119663007
	2.2	2119663006
0.75um[30u"]	1.5	2119663005
	4.2	2119663004
	3.0	2119663003
	2.2	2119663002
	1.5	2119663001
GOLD PLATING	DIM. L	PART NUMBER

FUNCTIONAL SYMBOLS FA = 0 FC = 0 FP = 0	THIS DRAWING CONTAINS INFORMATION THAT IS PROPRIETARY TO MOLEX ELECTRONIC TECHNOLOGIES, LLC AND SHOULD NOT BE USED WITHOUT WRITTEN PERMISSION		CURRENT REV DESC:		
	DIMENSION UNITS	SCALE	EC NO: 690306		
	mm	5:1	DRWN: ETSENG 2021/12/27		
	GENERAL TOLERANCES (UNLESS SPECIFIED)		CHK'D: ETSENG 2021/12/30		
	ANGULAR TOL ± °		APPR: VPENG01 2021/12/30		
DIVISIONAL SYMBOLS	4 PLACES	±	INITIAL REVISION:		DOCUMENT NUMBER 2119663001
	3 PLACES	±	DRWN: SHOU 2019/11/18		
	2 PLACES	±	APPR: ETSENG 2020/02/17		
	1 PLACE	±	SERIES		
	0 PLACES	±	DRAWING		
DRAFT WHERE APPLICABLE MUST REMAIN WITHIN DIMENSIONS		THIRD ANGLE PROJECTION	C-SIZE	211966	DOC TYPE PSD DOC PART 000 REVISION C



RECOMMENDED PCB LAYOUT
TOLERANCE: ±0.05

FUNCTIONAL SYMBOLS	THIS DRAWING CONTAINS INFORMATION THAT IS PROPRIETARY TO MOLEX ELECTRONIC TECHNOLOGIES, LLC AND SHOULD NOT BE USED WITHOUT WRITTEN PERMISSION		
	DIMENSION UNITS	SCALE	CURRENT REV DESC:
$\frac{F}{A} = 0$	mm	10:1	EC NO: 690306
$\frac{F}{C} = 0$	GENERAL TOLERANCES (UNLESS SPECIFIED)		DRWN: ETSENG 2021/12/27
$\frac{F}{P} = 0$	ANGULAR TOL ± °		CHK'D: ETSENG 2021/12/30
DIVISIONAL SYMBOLS	4 PLACES	±	APPR: VPENG01 2021/12/30
	3 PLACES	±	INITIAL REVISION:
	2 PLACES	±	DRWN: SHOU 2019/11/18
	1 PLACE	±	APPR: ETSENG 2020/02/17
0 PLACES	±		
DRAFT WHERE APPLICABLE MUST REMAIN WITHIN DIMENSIONS		THIRD ANGLE PROJECTION	DRAWING SERIES
			C-SIZE 211966
DOCUMENT STATUS		DOC TYPE	DOC PART
P1	RELEASE DATE	PSD	000
2021/12/30	10:26:08	000	C
MATERIAL NUMBER		CUSTOMER	SHEET NUMBER
2119663001		SEE TABLE	2 OF 2

molex

SLIMSAS 8X VERTICAL RECEPTACLE
CONNECTOR, 100OHM

PRODUCT CUSTOMER DRAWING

2119663001

PSD 000 C

SEE TABLE

2 OF 2