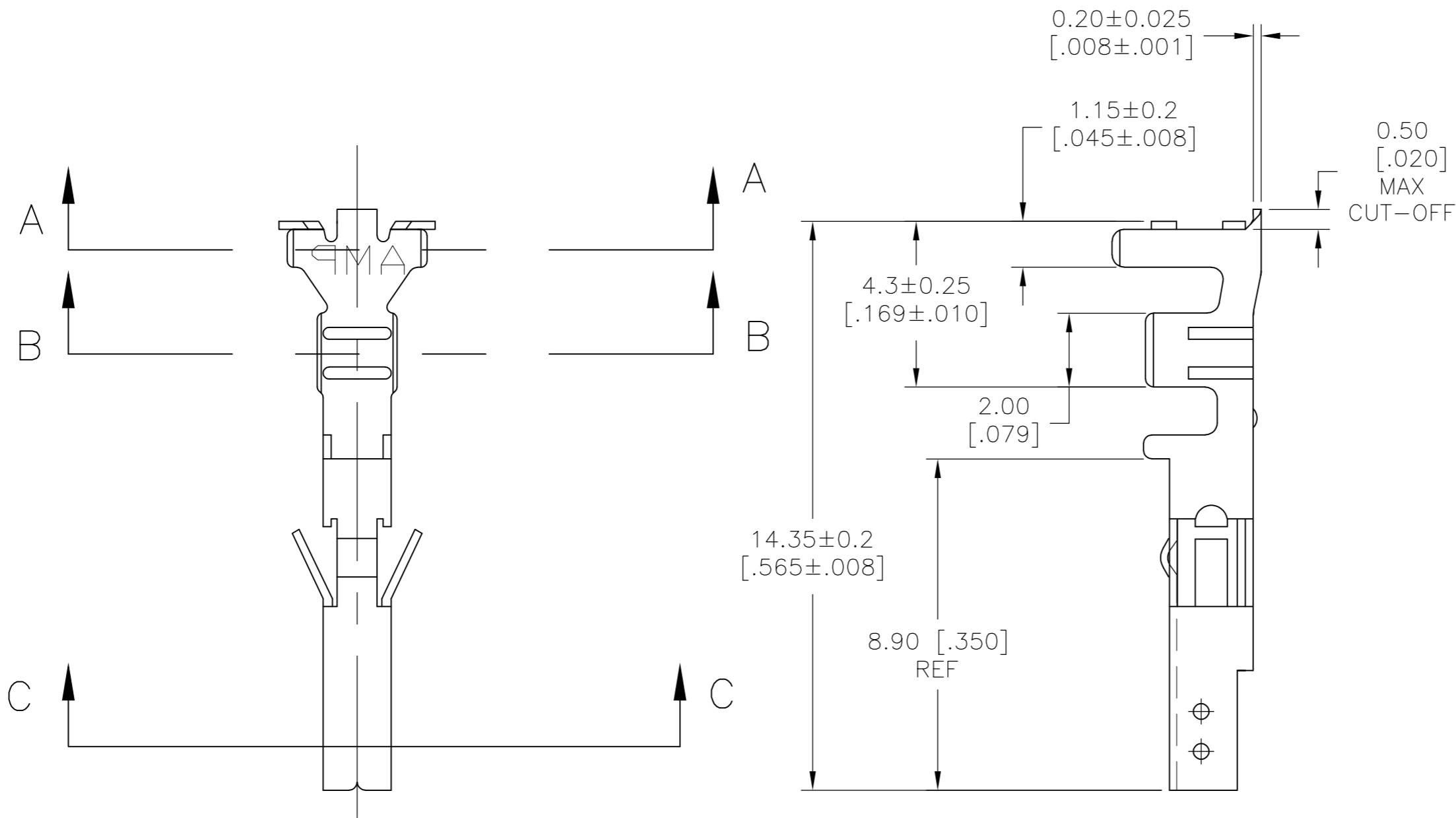
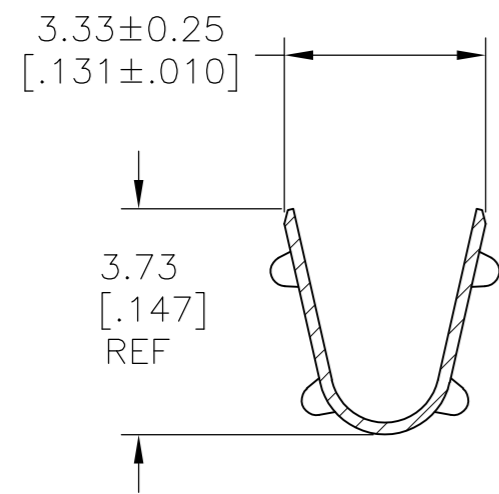


THIS DRAWING IS UNPUBLISHED. RELEASED FOR PUBLICATION  
 © COPYRIGHT - By - ALL RIGHTS RESERVED.

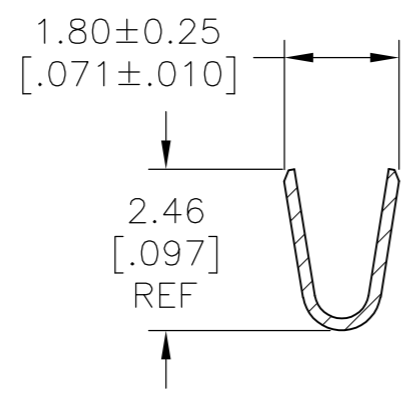
REVISIONS					
P	LTR	DESCRIPTION	DATE	DWN	APVD
A		FIRST RELEASED	15AUG2017	WH	DZ



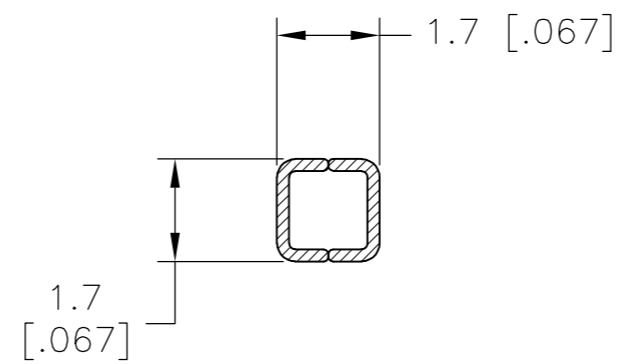
- 1 WIRE RANGE 0.3-0.82mm<sup>2</sup> [22-18 AWG]
- 2 INSULATION RANGE: DIA 1.50-3.10 mm [.060-.122 in]
- 3 FINISH: 2.54μm [.0001 in] MINIMUM PRE-TIN ALL OVER.
- 4 MATING PART: 2825210-1 (STRIP TYPE) OR 2825212-1 (LOOSE TYPE)



SECTION A-A



SECTION B-B



SECTION C-C

PRE-TIN $\triangle$ 3	HIGH PERFORMANCE COPPER ALLOY	2825213-1
FINISH	MATERIAL	PART NO.

THIS DRAWING IS A CONTROLLED DOCUMENT.		DWN WARREN HUO 15AUG2017	TE Connectivity		
DIMENSIONS: mm [INCHES]		CHK DANIEL ZHANG 15AUG2017	NAME		
TOLERANCES UNLESS OTHERWISE SPECIFIED:		APVD DANIEL ZHANG 15AUG2017	PRODUCT SPEC		
0 PLC ± -		108-150000		RESTRICTED TO	
1 PLC ± 0.25 [.010]		APPLICATION SPEC		SIZE	
2 PLC ± 0.13 [.005]		114-13172		CAGE CODE	
3 PLC ± -		WEIGHT 0		DRAWING NO	
4 PLC ± -		CUSTOMER DRAWING		A2 00779 C=2825213	
ANGLES ± -		SCALE N/A		SHEET 1 of 1	
MATERIAL SEE TABLE		FINISH SEE TABLE		REV A	

2825213