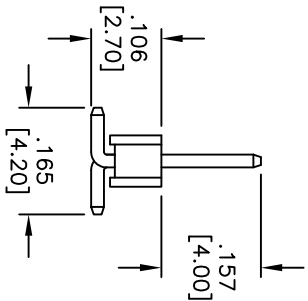
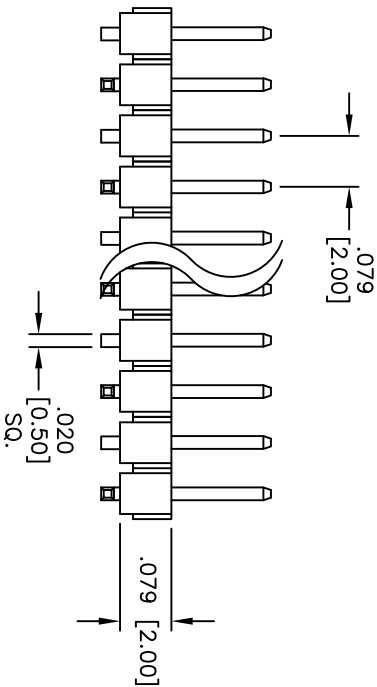
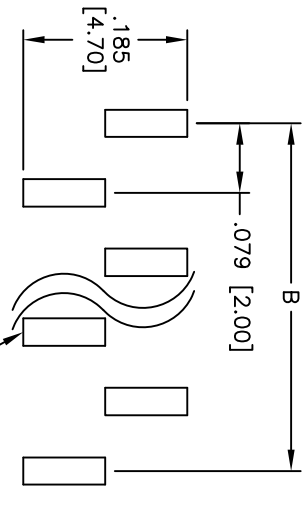
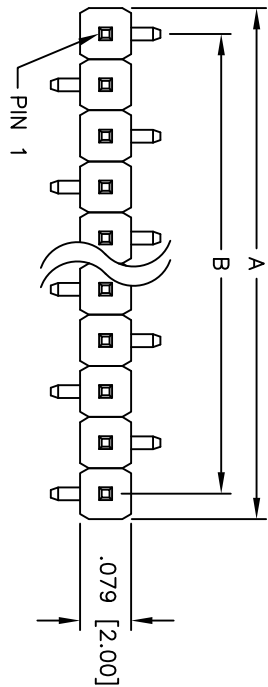


APPROVED: \_\_\_\_\_  
 DATE: \_\_\_\_\_ TITLE: \_\_\_\_\_

Rev	AWO #	Description	Date	Appr
-		RELEASED	7/14/09	
A		REVISED DIM.	10/25/13	AY/NP



**SPECIFICATIONS:**  
 Material: Insulator: Hi-temp thermoplastic, rated UL 94V-0  
 Insulator color: Black  
 Contacts: Brass  
 Plating: Gold flash over Nickel underplate overall

**Electrical:**  
 Current rating: 1 Amp max  
 Contact resistance: 20 mohms max  
 Insulation resistance: 5,000 Mohms min @ 500 VDC  
 Temperature Rating: Operating temperature: -40°C to +105°C  
 Environmental: Lead free, RoHS compliant

Positions: 2 thru 40  
 A = .079 [2.00] x No. of Positions  
 B = .079 [2.00] x No. of Spaces

UNLESS OTHERWISE SPECIFIED  
 ALL DIMENSIONS ARE INCHES [MM]  
 TOLERANCES: EXCEPT AS NOTED

INCHES	HOLES
.X ± .10	ØX ± .10
.XX ± .020	ØXX ± .015
.XXX ± .015	ØXXX ± .010

APPROVALS

DRAWN	DY	7/14/09
CHECKED		
APPROVED		

**ADAM TECH**  
 909 Railway Avenue, Union, NJ 07083  
 Phone: 908-687-5000 Fax: 908-687-5710

TITLE: .079 [2.00] SINGLE ROW PIN HEADER  
 SURFACE MOUNT, TYPE A

SIZE	PART NO.	REV.
X	2PH1-XX-UA-SMT-A	A
REF:	S00039T	SHEET 1 OF 1
SCALE:	NTS	

