

54-900

Features:

- Nickel-Plated Steel
- Fits 15/32" [.466 (11.91mm)] Bushing

Hardware, Indicator Plate



54-901

Features:

- Nickel-Plated Steel
- Fits 15/32" [.469 (11.91mm)] Bushing

Hardware, Indicator Plate



54-902

Features:

- Nickel-Plated Steel
- Fits 15/32" [.469 (11.81)] Bushing

Hardware, Indicator Plate



54-903

Hardware, Indicator Plate

Features:

- Grade 430 Stainless Steel
- Fits 15/32" [.469 (11.91)] Bushing

Hardware, Indicator Plate

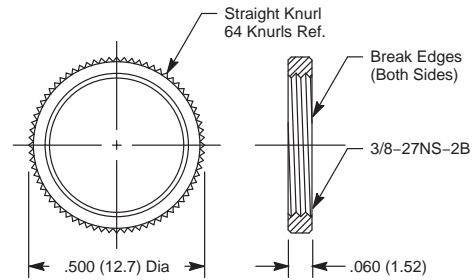


54-904

Features:

- Bright Nickel Plating
- 3/8-27NS-2B Thread

Hardware, Brass Facenut

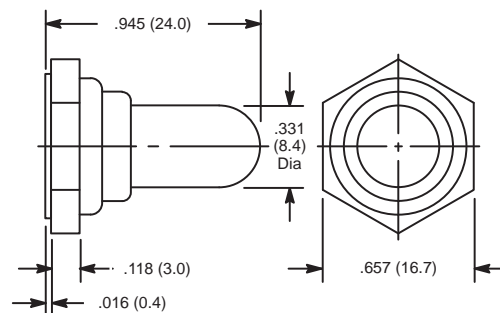


54-905, 54-905M

Features:

- For Bat Handle Toggle Switch
- Available in 2 Thread Types:
15/32-32 UNS-2A Thread (54-905)
M12*0.75 Thread (54-905M)

Hardware, Rubber Boot

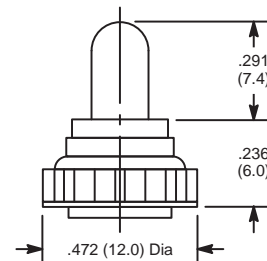


54-906

Features:

- For Mini Toggle Switch
- 1/4-40 Thread
- Contains "O"-Ring Seal

Hardware, Rubber Boot/Knob

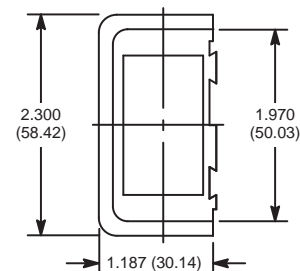


54-910

Features:

- End Section
- For Automotive/Marine Types
- Black Color

Hardware, Mounting Panel

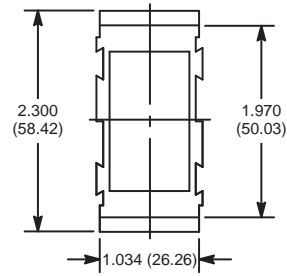


54-911

Features:

- Middle Section
- For Automotive/Marine Types
- Black Color

Hardware, Mounting Panel

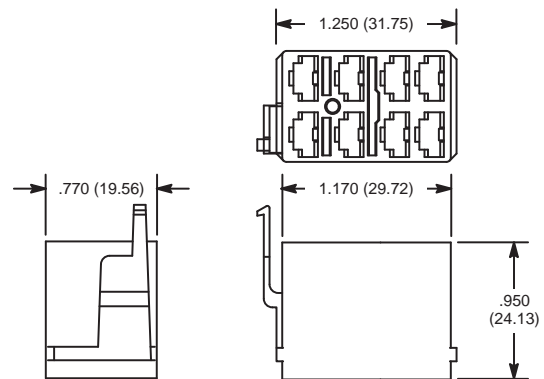


54-912

Features:

- For Automotive/Marine Types

Hardware, Connector Housing

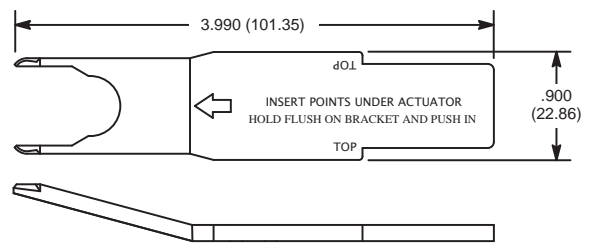


54-913

Features:

- For Automotive/Marine Types
- For Flush Bracket

Hardware, Actuator Removal Tool

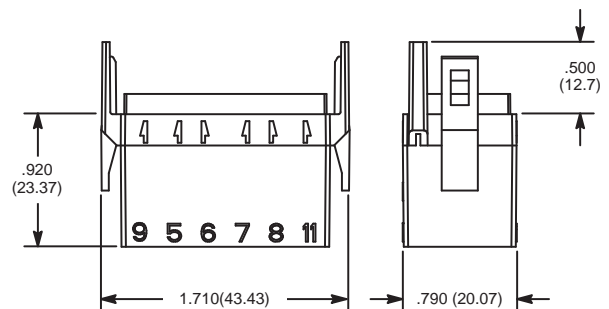


54-914

Features:

- .250" Tab
- Black Color

Hardware, Connector



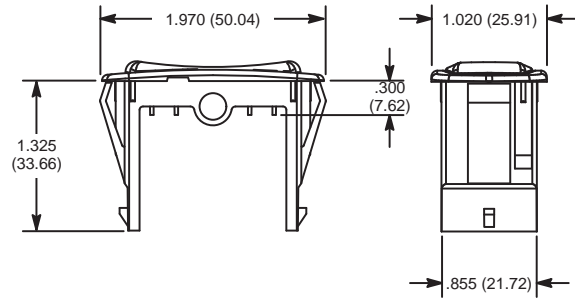
Accessories

54-915

Features:

- For Automotive/Marine Types
- With Non-Serrated Wings

Hardware, Removable Hole Plug

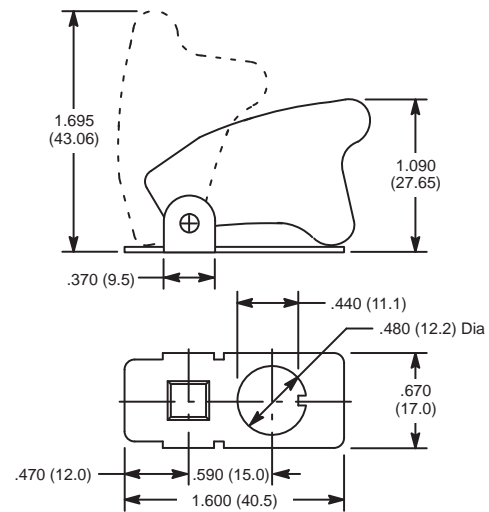


54-920, 54-921, 54-922, 54-923

Features:

- For Toggle Switch w/12mm (15/32") Mounting Hole
- Accepts Standard 17.5mm (11/16") Switch Handles
- Available in 4 Colors:
 - 54-920 (Red)
 - 54-921 (Red Metallic)
 - 54-922 (Blue Metallic)
 - 54-923 (Silver Metallic)

Hardware, Safety Cover



54-925

Features:

- Nickel-Plated Steel
- Fits 15/32" [.466 (11.91mm)] Bushing
- For use with 54-727 Switch

Hardware, Indicator Plate



54-926

Features:

- Nickel-Plated Steel
- Fits 15/32" [.466 (11.91mm)] Bushing
- For use with 54-728 Switch

Hardware, Indicator Plate



54-927

Hardware, Indicator Plate

Features:

- Nickel-Plated Steel
- Fits 15/32" [.466 (11.91mm)] Bushing
- For use with 54-729 & 54-730 Switches



54-928

Hardware, Indicator Plate

Features:

- Nickel-Plated Steel
- Fits 15/32" [.466 (11.91mm)] Bushing
- For use with 54-722 Switch



54-929

Hardware, Watertight Boot

Features:

- M12*0.75 Thread
- Contains "O"-Ring Seal
- For use with 54-722 Switch

