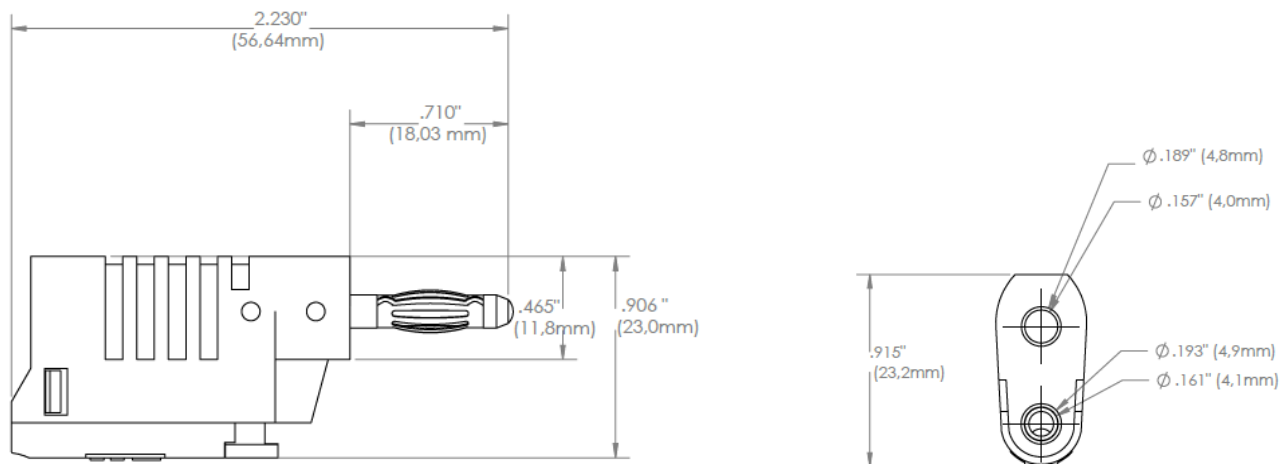


Model 73092

DIY Stackable 4mm Banana Plug, Quick Wire Attachment



Features

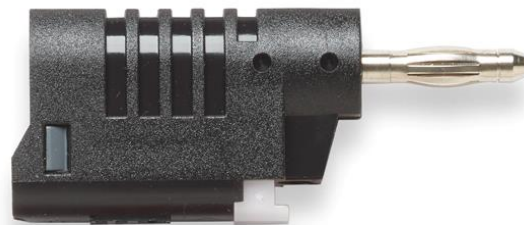
- Attach wires quickly with the push-button tab for easy assembly or test lead repair
- No soldering or set screws required; simply, push and hold the push tab, insert the stripped test lead wire (*strip 4-6mm of insulation*), and release the push tab to secure the wire down
- Great in low voltage applications where prototyping and quick wire attachments are important
- Stackable for chaining additional connections and test versatility
- Make 4mm banana plug patch cords conveniently in the field
- Designed to fit on the end of any 22 AWG to 18 AWG wire gauge

Materials

Contact: Nickel-plated brass and steel
 Insulation: Polyamide and Polyoxymethylene

Specifications

Voltage	33 V AC / 70 V DC
Max Current	36 A
Max Resistance	less than 10 mΩ



Ordering Information

Model: 73092-*color*

Color: 0=Black, 2=Red, 4=Yellow, 5=Green, 6=Blue, 9=White

DIY Stackable 4mm Banana Plug, Quick Wire Attachment

USA: Sales: 800-490-2361
 Technical Support: technicalsupport@pomonatest.com
 Fax: 425-446-5844
Europe: 31-(0) 40 2675 150 **International:** 425-446-5500
Where to Buy: www.pomonaelectronics.com

All dimensions are in inches. Tolerances (except noted): .xx = $\pm .02"$ (.51 mm), .xxx = $\pm .005"$ (.127 mm). All specifications are to the latest revisions. Specifications are subject to change without notice. Registered trademarks are the property of their respective companies.