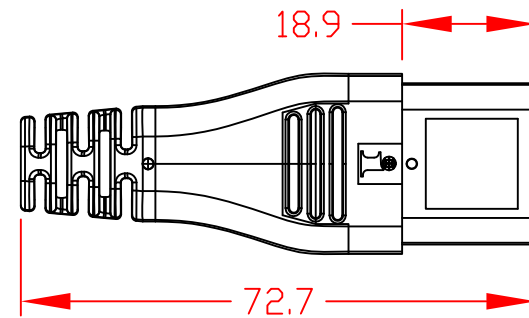
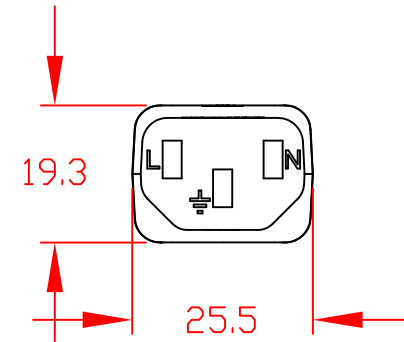
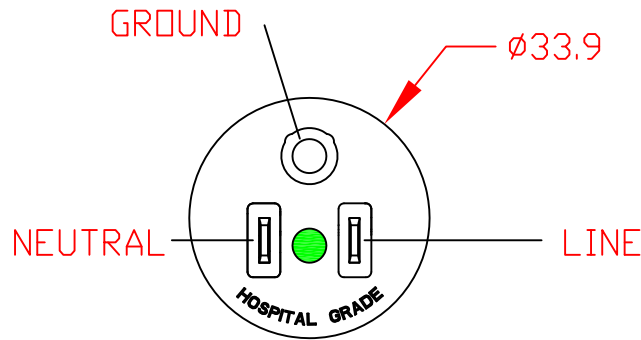
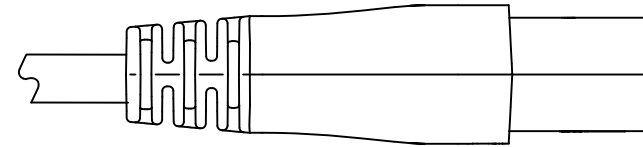
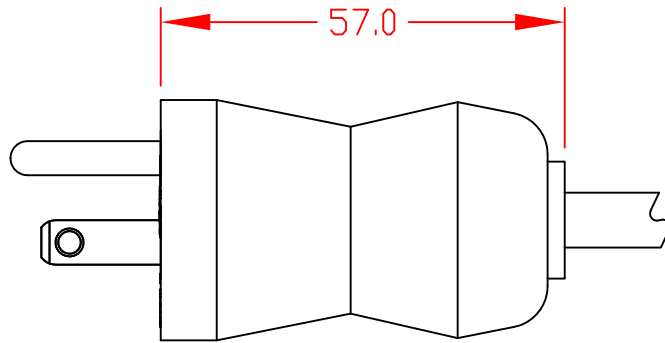


8½" x 11" (print at 1" = 25.4 units)



THIS DOCUMENT AND ITS CONTENTS ARE THE PROPRIETARY CONFIDENTIAL PROPERTY OF INTERPOWER CORPORATION. NO USE OR COPIES MAY BE MADE WITHOUT WRITTEN PERMISSION FROM INTERPOWER CORPORATION.

| REV | CHANGE DESCRIPTION | INITIALS | DATE |
|-----|---|----------|----------|
| F | Relocated green dot to new location; removed misc. markings. | DDF | 6/14/17 |
| E | Updated plug views, rescaled title block, made dims 1 plc decimal | ATS | 06/11/15 |
| D | Updated C13 length dimension from 71.4mm to 72.7mm. | DDF | 9/6/13 |
| C | Updated description in title block to say "Hospital Grade". | DDF | 3-02-12 |
| B | Replaced L/N blades and ground pin | JPC | 5-28-10 |
| A | Replaced 002 C13 with new C13 052 | DDF | 12/04/07 |

| DIMENSIONS IN MILLIMETERS | | TITLE: North American Hospital Grade Cord Set | |
|---------------------------|-----|---|------------------------|
| DRAFT BY: | JPC | DATE: | 12-16-02 |
| DRAFTING APPROVAL: | JPC | DATE: | 12-16-02 |
| MATERIAL: | PVC | PART NUMBER: | 86610710 |
| | | DO NOT SCALE | INTERPOWER CORPORATION |
| | | SHEET 1 OF 1 | |