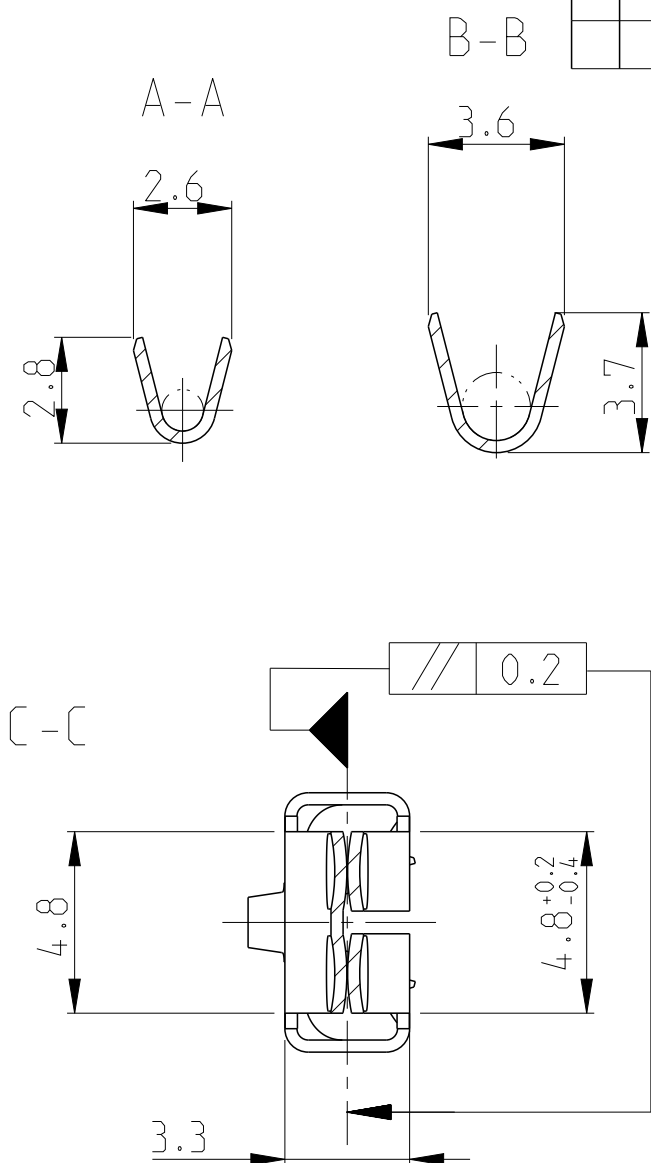
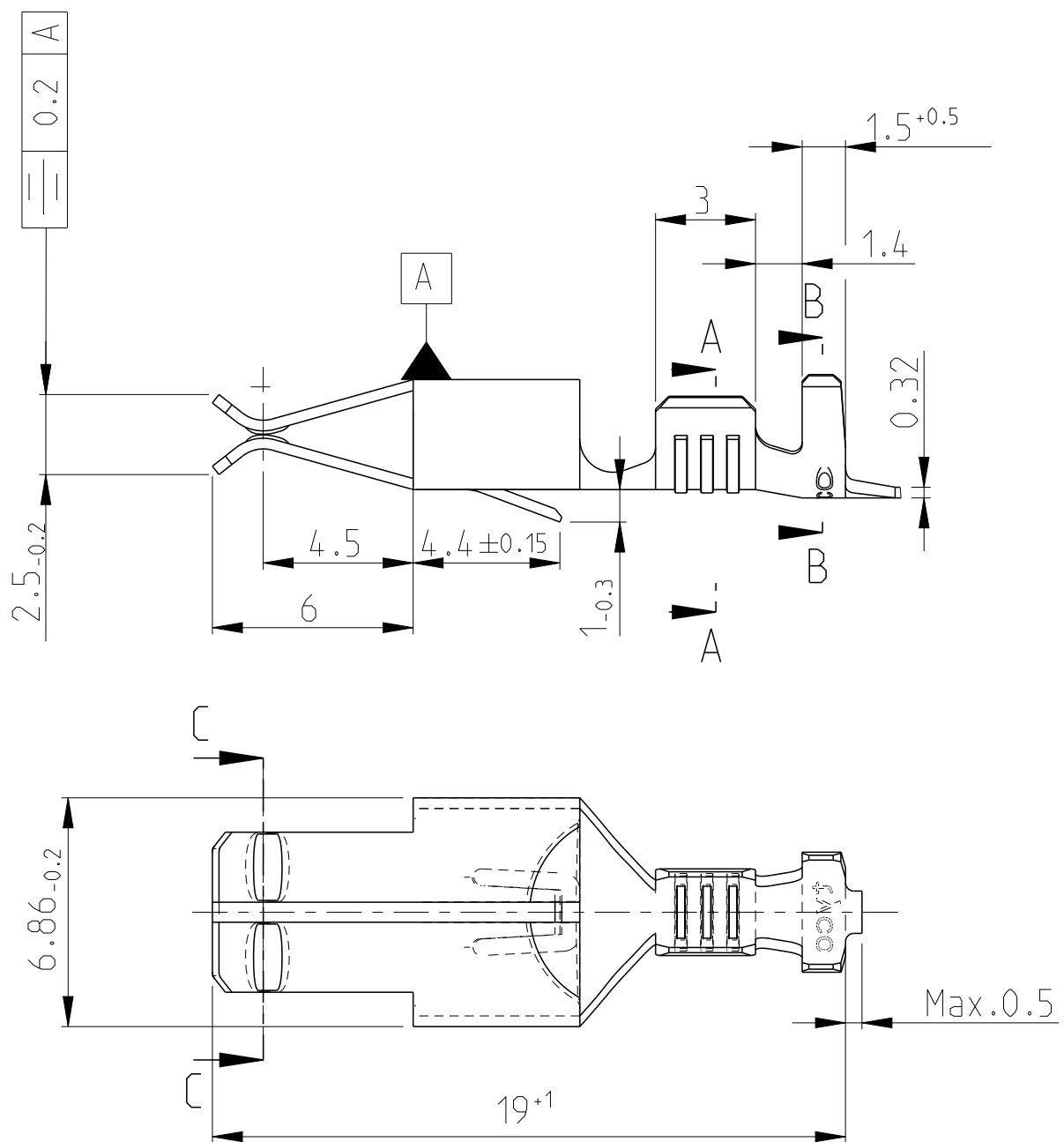


P	LTR	DESCRIPTION	DATE	DWN	APVD
	A	ECR 14-007191	28OCT2014	SK	JP
	A1	ECR-14-017645	28NOV2014	SK	JP



vorverzinkt	Kupfereisen	928820-3
vorverzinkt	Bronze	928820-2
vorverzinkt	Messing	928820-1
FINISH	MATERIAL	PART NO.

Kontakt geeignet für:
 Drahtgrößenbereich 0.5-1.0 mm²
 Isolationsbereich Ø1.4-2.3 mm

THIS DRAWING IS A CONTROLLED DOCUMENT.		DWN 28OCT2014 Shashikumar S N	STE TE Connectivity	
DIMENSIONS: mm		CHK 28OCT2014 Pareras Javier		
TOLERANCES UNLESS OTHERWISE SPECIFIED:		APVD -	NAME STANDARD-TIMER KONTAKT	
0 PLC ±		PRODUCT SPEC -	SIZE A3	
1 PLC ± ±0.2		APPLICATION SPEC -	CAGE CODE -	DRAWING NO C-928820
2 PLC ± ±		WEIGHT -	RESTRICTED TO -	
3 PLC ± ±		Customer Drawing	SCALE 5:1	SHEET 1 OF 1
4 PLC ± ±				REV A1
ANGLES ±				
FINISH -				