



- EL25 Core Design
- Wire Wound Through Hole Design
- Operating Temperature Range: -20°C to +85°C

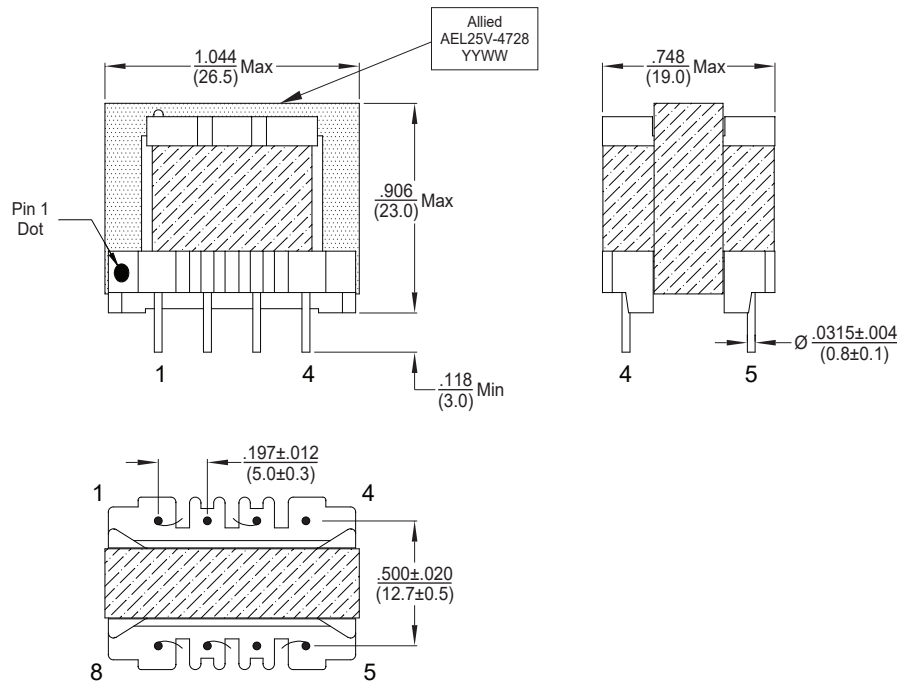
SPECIFICATIONS @ 25°C

Inductance @ 200KHz, 1.0V	Impedance @ 1KHz, 1.0V		Turns Ratio	DCR (Ω) ±10%	HiPot 5mA / 60Sec	
(5 - 8)	(5 - 8)	(1 - 4)	(1 - 4) : (5 - 8)	(5 - 8)	Pri - Sec	Wdg - Core
15H Min	600Ω Load	74KΩ ±15%	10 : 1	120	500Vac	500Vac

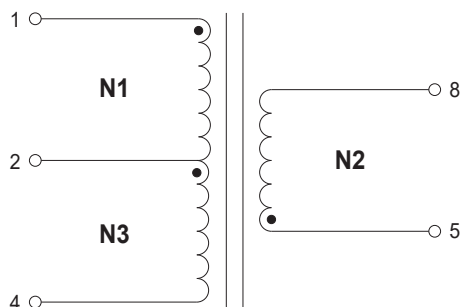
All specifications subject to change without notice.

MECHANICAL

Dimensions: $\frac{\text{inch}}{\text{mm}}$



SCHEMATIC



CONSTRUCTION

