

# C030

## LTE Cat 1, Cat M1, NB-IoT and 2G/3G mbed-enabled IoT starter kit

### User guide



### Abstract

This guide explains how to set up the C030 Arm® Mbed Enabled™ Internet of Things Starter Kit to begin evaluating u-blox 2G/3G/4G cellular and GNSS modules.

# Document information

<b>Title</b>	<b>C030</b>	
<b>Subtitle</b>	LTE Cat 1, Cat M1, NB-IoT and 2G/3G mbed-enabled IoT starter kit	
<b>Document type</b>	User guide	
<b>Document number</b>	UBX-17015029	
<b>Revision and date</b>	R06	03-Feb-2021
<b>Disclosure restriction</b>	C1-Public	

<b>Product status</b>	<b>Corresponding content status</b>	
<b>Functional sample</b>	Draft	For functional testing. Revised and supplementary data will be published later.
<b>In development / Prototype</b>	Objective Specification	Target values. Revised and supplementary data will be published later.
<b>Engineering sample</b>	Advance Information	Data based on early testing. Revised and supplementary data will be published later.
<b>Initial production</b>	Early Production Information	Data from product verification. Revised and supplementary data may be published later.
<b>Mass production / End of life</b>	Production Information	Document contains the final product specification.

This document applies to the following products:

<b>Product name</b>	<b>Type number</b>	<b>Firmware version</b>	<b>PCN reference</b>	<b>Product status</b>
C030	C030-U201-0-00	G0.V.00.00.10R	UBX-18007786	Initial production
	C030-N211-0-00	G0.V.00.00.10R	UBX-18007786	Obsolete
	C030-R410M-0-00	N.A.	UBX-18047677	Obsolete
	C030-R3121-0-00	N.A.	UBX-18047677	Obsolete

u-blox or third parties may hold intellectual property rights in the products, names, logos and designs included in this document. Copying, reproduction, modification or disclosure to third parties of this document or any part thereof is only permitted with the express written permission of u-blox.

The information contained herein is provided "as is" and u-blox assumes no liability for its use. No warranty, either express or implied, is given, including but not limited to, with respect to the accuracy, correctness, reliability and fitness for a particular purpose of the information. This document may be revised by u-blox at any time without notice. For the most recent documents, visit [www.u-blox.com](http://www.u-blox.com).

Arduino® is a trademark of Arduino Srl or Arduino LLC registered and/or used in the EU, the U.S. and other countries/regions. Arm and Mbed™ are registered trademarks of Arm Limited (or its subsidiaries) in the US and/or elsewhere.

JT® is a registered trademark of JTGlobal Limited in the EU, the U.S. and other countries/regions  
 Copyright © u-blox AG.

# Contents

<b>Document information</b> .....	<b>2</b>
<b>Contents</b> .....	<b>3</b>
<b>1 Overview</b> .....	<b>4</b>
Using this guide.....	4
Warnings and certifications .....	5
<b>2 Hardware description</b> .....	<b>6</b>
2.1 C030 block diagram.....	9
2.2 Buttons, jumpers and switches .....	16
2.2.1 Utilization of cellular modem USB sniffer (and programmer) .....	17
2.3 LED indicators .....	18
2.4 Connectors .....	19
2.5 Configuration links / components .....	20
2.6 Test, break out points, and debug interfaces .....	24
2.7 Arduino™ UNO R3 compatible interface pin out.....	25
2.8 Power supply options and LiPo battery usage .....	26
2.9 C030-N211 variant cellular module firmware upgrade .....	27
<b>3 Getting started</b> .....	<b>28</b>
3.1 eUICC (embedded SIM) activation.....	28
3.2 C030 board setup .....	28
3.3 Development PC USB driver configuration .....	28
3.4 Getting started with Mbed.....	29
<b>4 Approvals</b> .....	<b>30</b>
4.1 C030-U201 European Conformance CE mark.....	30
4.2 C030-N211 European Conformance CE mark.....	31
<b>Appendix</b> .....	<b>32</b>
<b>A Glossary</b> .....	<b>32</b>
<b>Related documentation</b> .....	<b>33</b>
<b>Revision history</b> .....	<b>33</b>
<b>Contact</b> .....	<b>34</b>

# 1 Overview

The u-blox C030 LTE Cat 1, Cat M1, NB-IoT and 2G/3G mbed-enabled IoT starter kit is a versatile development platform that allows quick prototyping of a variety of applications for low-power Internet of Things (IoT) devices.

The u-blox C030 boards are delivered in several variants based on the type of u-blox cellular module employed, such as:

- C030-U201: SARA-U201 HSPA module with 2G fallback
- C030-N211: SARA-N211 NB-IoT (LTE Cat NB1) module
- C030-R410M: SARA-R410M LTE Cat M1 / Cat NB1 module
- C030-R3121: LARA-R3121 LTE Cat 1 single-mode module with GNSS receiver

The u-blox C030 application boards, except C030-R3121, have a u-blox MAX-M8C module or a ZOE GNSS IC as a concurrent GNSS receiver, thereby enabling straight forward development of location-aware, globally communicating applications.

The u-blox C030 board provides access to a variety of hardware interfaces (10/100 Mb/s Ethernet, 22 GPIOs with SPI, I<sup>2</sup>C, UART, PWM) through the Arduino™ Uno R3 compatible header connector.

An eUICC (embedded SIM) is integrated on the u-blox C030-U201 / C030-R3121 variants. The eUICC comes with International Data Roaming Cellular Connectivity Service by JT<sup>®</sup> JTGlobal (formerly Jersey Telecom) with 50 MB of data for the period of 90 days, which can be topped up and extended on demand.

The u-blox C030 board is powered by an Arm<sup>®</sup> Cortex-M4 based ST<sup>®</sup> STM32F437VGT Host microcontroller, which is fully supported by the Arm<sup>®</sup> Mbed™ platform. The microcontroller has 512 kB flash, 64 kB RAM, and runs an up-to-96 MHz system clock. The board provides simple USB drag-n-drop programming and ST-Link debug interface for the Host microcontroller. The Arm Mbed platform provides free software libraries and online tools for professional rapid prototyping. The programming is done using a standard-based C/C++ SDK. The Arm Mbed compiler also supports full export to various tool chains, for projects that demand it as they go into production.

The u-blox C030 also works with wide choice of Integrated Development Environments (IDEs) including but not limited to Arm<sup>®</sup> Keil<sup>®</sup>, GCC-based Eclipse IDEs.

## Using this guide

This guide assumes the user has basic computer skills and is familiar with the Windows Graphical User Interface (GUI) and cellular modem environments.

The following symbols are used to highlight important information in the document:



An index finger points out key information pertaining to device operation and performance.



A warning symbol indicates actions that could negatively impact or damage the device.

## Warnings and certifications



C030 is an Electrostatic Sensitive Device (ESD).



**CAUTION! Risk of short circuit of the battery when touching it with conducting parts. In the unlikely event of a failure in the internal protection circuitry, there is a risk of an explosion when charging fully or partially discharged batteries. Replace the battery if it no longer has sufficient charge for unit operation. Control the battery before using it if the device has not been operated for an extended period of time.**



Products marked with this lead-free symbol on the product label comply with the “Directive 2002/95/EC of the European Parliament and the Council on the Restriction of Use of certain Hazardous Substances in Electrical and Electronic Equipment” (RoHS).

C030 application boards are RoHS compliant and green (no halogens).

## 2 Hardware description

The u-blox C030 has the following onboard hardware features:

- u-blox cellular functionality
  - On C030-U201 – u-blox SARA-U201 HSPA/GSM module, with eUICC (embedded SIM)
  - On C030-N211 – u-blox SARA-N211 LTE Cat NB1 (NB-IoT) module, with MicroSIM socket
  - On C030-R410M – u-blox SARA-R410M-02B LTE Cat M1 / NB1 module, with MicroSIM socket
  - On C030-R3121 – u-blox LARA-R3121 LTE Cat 1 module, with eUICC (embedded SIM)
- u-blox GNSS functionality
  - On C030-U201 – u-blox MAX-M8C LCC module able to utilize concurrent reception of up to three GNSS systems (GPS / Galileo together with GLONASS or BeiDou)
  - On C030-N211 – u-blox MAX-M8C LCC module able to utilize concurrent reception of up to three GNSS systems (GPS / Galileo together with GLONASS or BeiDou)
  - On C030-R410M – u-blox ZOE-M8B SiP module able to utilize concurrent reception of up to three GNSS systems (GPS / Galileo together with GLONASS or BeiDou)
  - On C030-R3121 – GPS receiver integrated in u-blox LARA-R3121 module
- STM32F437VG Cortex-M4 Arm host MCU with 1024 kB Flash, 256 kB SRAM and SWD connector
  - 12 MHz crystal oscillator for system clock
  - 32.768 kHz crystal oscillator for real-time clock
  - 1.8 V operation
- On-board ST-Link/V2-1 debugger/programmer with SWD connector
  - ST-Link/V2-1 standalone development and debug capability
  - USB re-enumeration; Virtual COM port, mass storage device and debug port
  - 5V from ST-Link/V2-1 Debug USB VBUS, 3.3V operation
  - (CMSIS-DAP variant of the FW with extended features will be available in the future)
- On-board TI® bq24295 single cell LiPo battery charger and TI® bq27441-G1 battery fuel gauge
- Molex® SPOX™ 5268-03A LiPo battery connector
  - Supports battery types like BAK –LP-503759-IS-3 (battery is not included)
- On-board SiLabs® CP2105 USB to dual UART bridge as Serial USB Sniffer
  - Alternative to ST-Link/V2-1 virtual COM port when ST-LINK/V2-1 is not used/available
  - Alternative to main supply and Debug USB 5V VBUS inputs
  - Sniffing serial communication between the host MCU and the cellular module
- RGB User LED, and two push buttons: user and reset
- On-board SiLabs® Si7034-A10 humidity and temperature sensor
  - Utilized temperature sensor only. Cannot be used for humidity measurements
- SD card socket for file storage
- Integrated NB-IoT and GNSS antennas by Antenova® on C030-N211's snap-off antenna section
- SMA RF connectors for 50 Ohm cellular and GNSS active antennas except on C030-N211
- Integrated eUICC including International Data Roaming Cellular Connectivity by JT® JTGlobal with 50 MB of data for the first 90 days (except for C030-N211 / C030-R410M)
- MicroSIM card socket on C030-N211 / C030-R410M
- Extension:
  - Arduino™ Uno R3 compatible interface
  - 6 analog capable inputs
  - 8 PWM capable outputs
  - 22 GPIOs
  - 1 x SPI
  - 1 x I2C
  - 1 x UART with HW flow control option (RTS, CTS)

- Flexible board power supply:
  - 5 V main supply USB, debug USB, and sniffer USB VBUS inputs
  - 2.5 V to 5.5 V Arduino UNO R3 VIN input
  - 2.8 V to 4.4 V LiPo battery input
- Support of a wide range of Integrated Development Environments (IDEs), including but not limited to GCC-based IDEs, Arm Mbed
- Arm Mbed Enabled (see <http://mbed.org>)

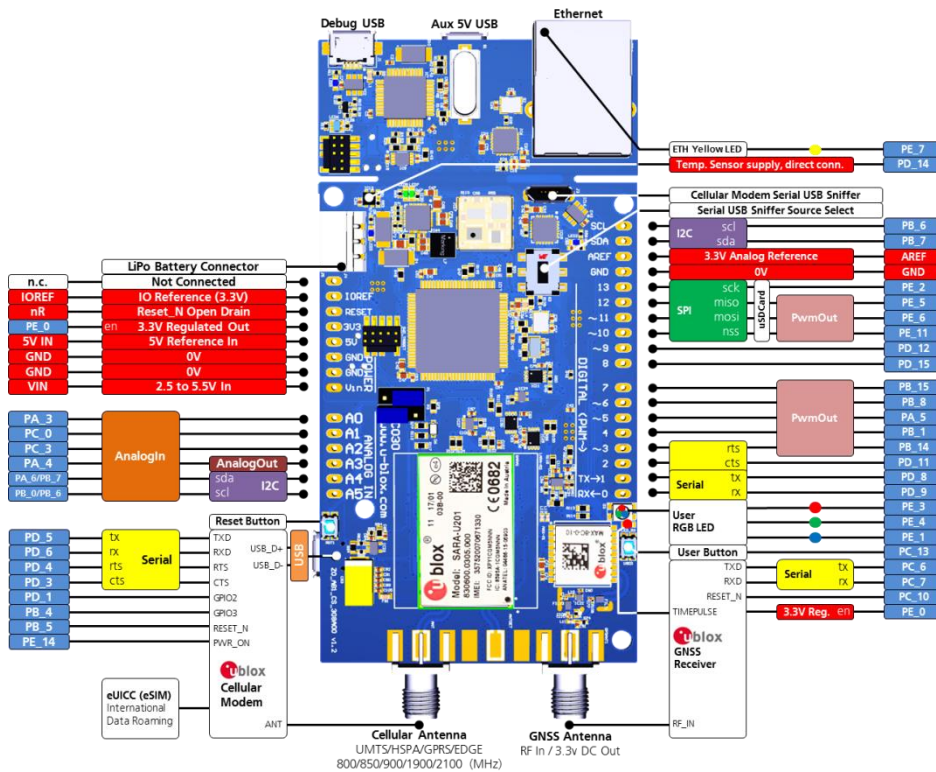


Figure 1: C030-U201 application board overview

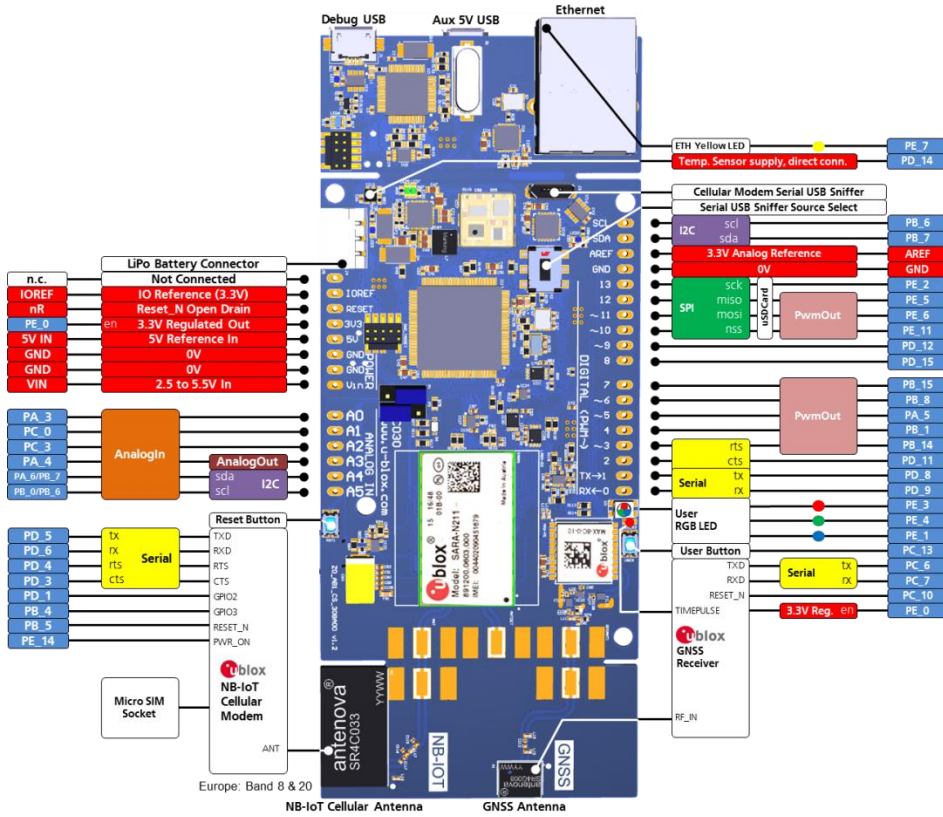


Figure 2: C030-N21 application board overview

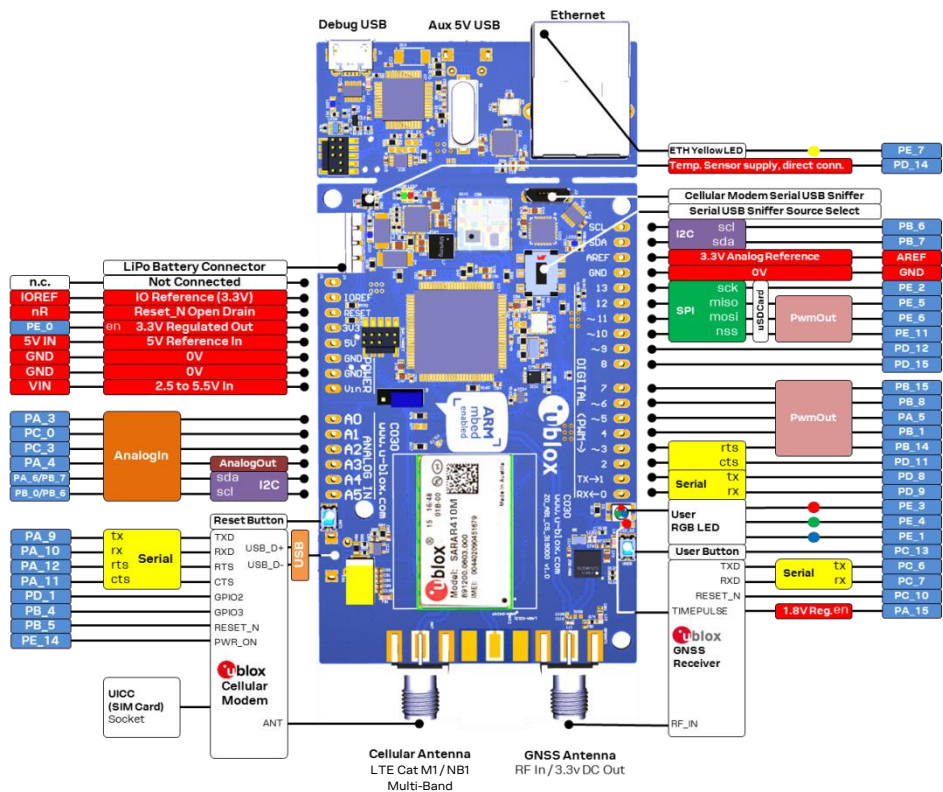


Figure 3: C030-R410M application board overview



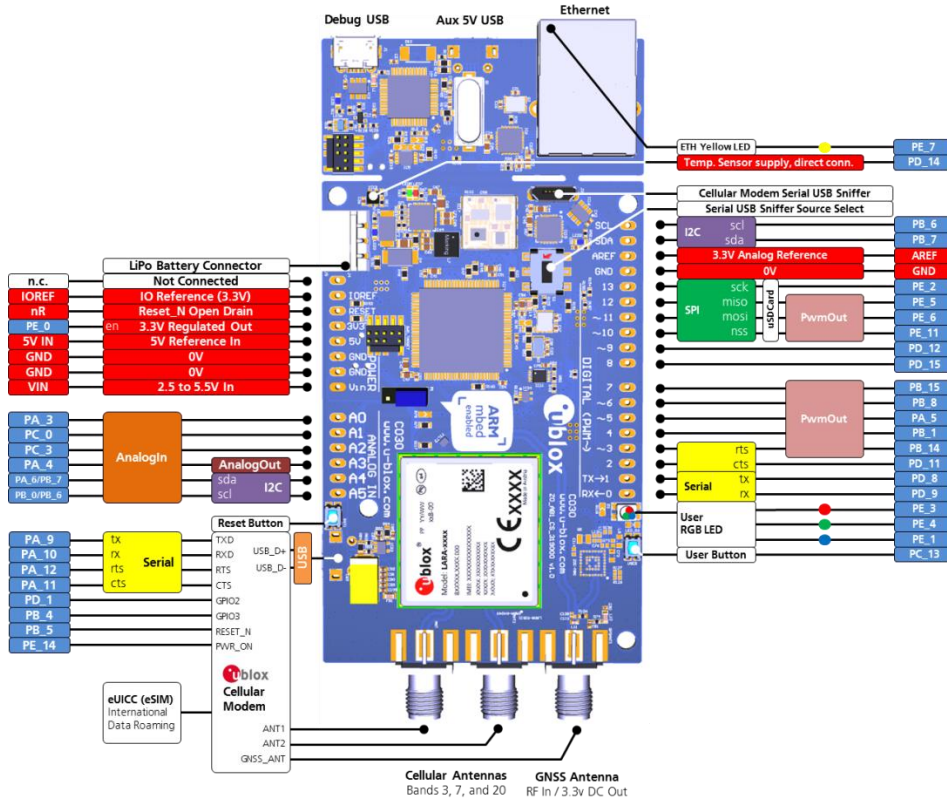


Figure 4: C030-R3121 application board overview

## 2.1 C030 block diagram

The block diagram of the C030 is depicted in Figure 5, Figure 6 and Figure 7.

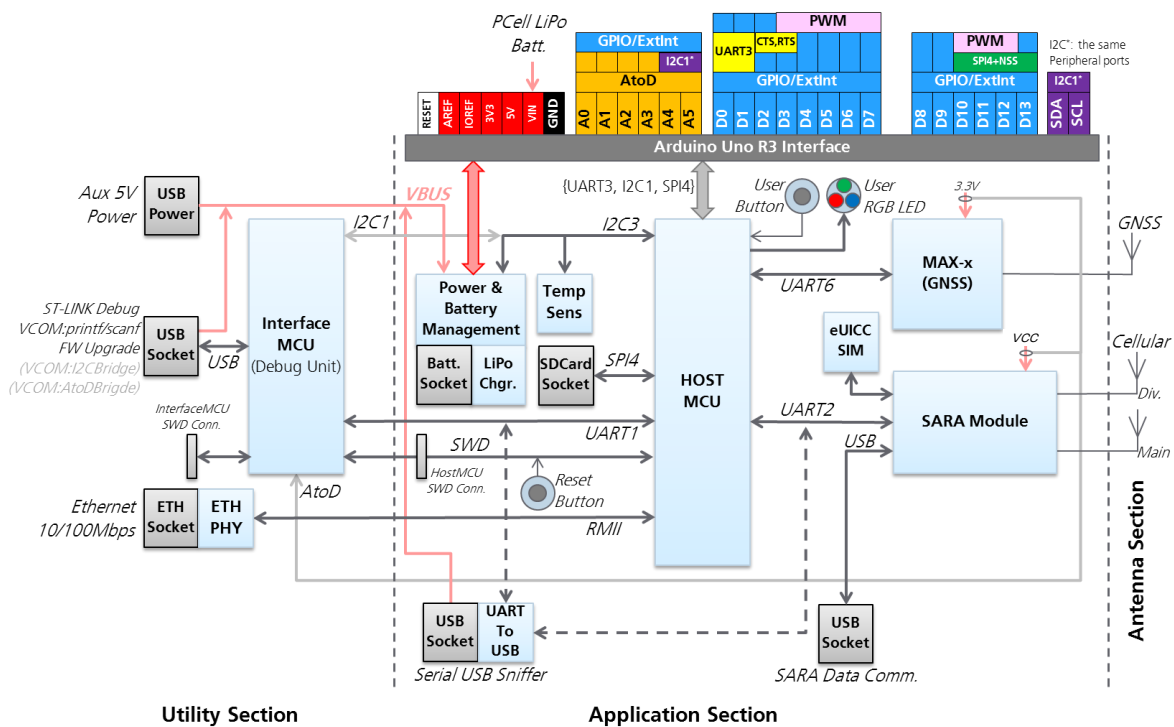


Figure 5: C030-U201 / C030-N211 block diagram

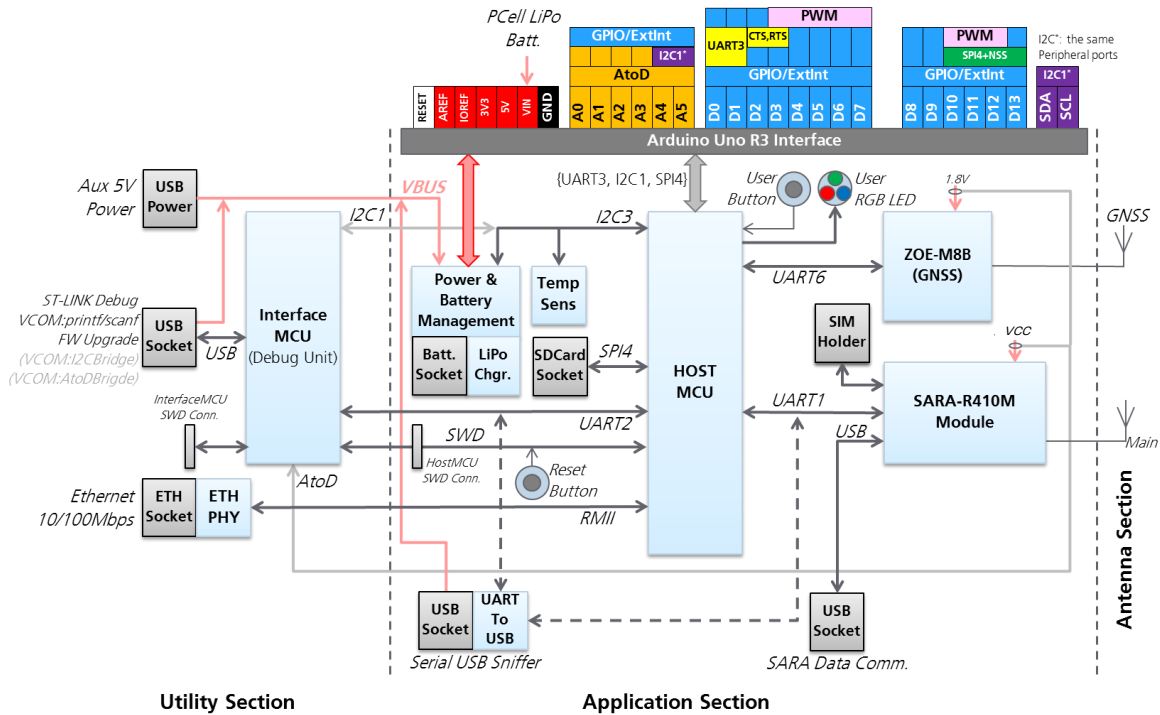


Figure 6: C030-R410M block diagram

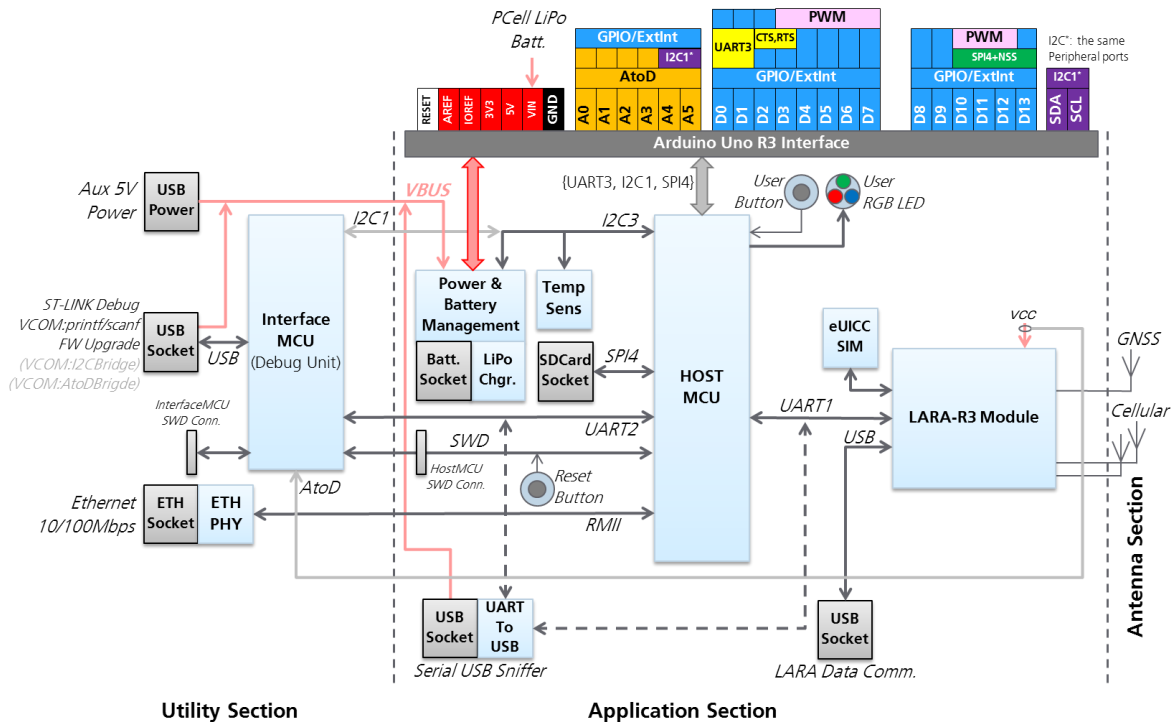


Figure 7: C030-R3121 block diagram

Figure 5, Figure 6 and Figure 7 show the major interfaces and internal connections of the C030.

The major component layouts of each board variant are provided in Figure 8, Figure 9, Figure 10 and Figure 11.

The C030 consists of three sections:

- **Utility section**

The utility section accommodates the components that provide SW debugging / virtual COM port (ST-Link/CMSIS-DAP) and Ethernet Interface functions. The SW debugging / virtual COM port functions are executed by the InterfaceMCU via the “Debug USB” interface.

As this section is only needed during the application development and test activities, it could be physically snapped off from the application section to decrease the size and power consumption.

The utility section is powered up from the “Debug USB” 5V VBus. When the “Debug USB” is not connected, SW debugging / virtual COM port and Ethernet Interface functions are turned off and isolated from the Application section.

The “Auxiliary 5V USB” connector on the Utility section could be used to boost the power input to the application section if the current input from the “Debug USB” 5V Vbus is not sufficient.

- **Application section**

The application section accommodates the GNSS and cellular modules, a eUICC (Embedded SIM) / MicroSIM socket, the HostMCU, the battery charging/management and power supply circuitry, the SD card interface and socket, the Serial USB Sniffer for communication between the HostMCU to the cellular module and similarly to the InterfaceMCU. The application section also has a temperature sensor for measuring ambient temperature of the board. Reset and user buttons, configuration jumpers and User and system status indication LEDs are placed in the application section.

The application section is designed for minimal power consumption. Unutilized circuitries and sections could be either turned off by software or inhibited electronically.

The Arduino Uno R3 interface on the application section could be used to integrate sensors, actuators and power/battery supply circuitries as Arduino Shields/expansion daughter PCBs.

The application section could run standalone when the utility and antenna sections are snapped off.

- **Antenna section**

The C030 PCB has been designed to accommodate GNSS and cellular antennas on-board depending on the build variant. The C030-N211 antenna section could be snapped off if the orientation of the C030 is in an enclosure required by the application. Both application and antenna sections have SMA edge connector footprints. Therefore, by soldering the SMA Edge connectors, the antenna section can be connected to the application section through adequate 50  $\Omega$  RF cables.

The other C030 variants have SMA Jack edge connectors for cellular and GNSS antennas.

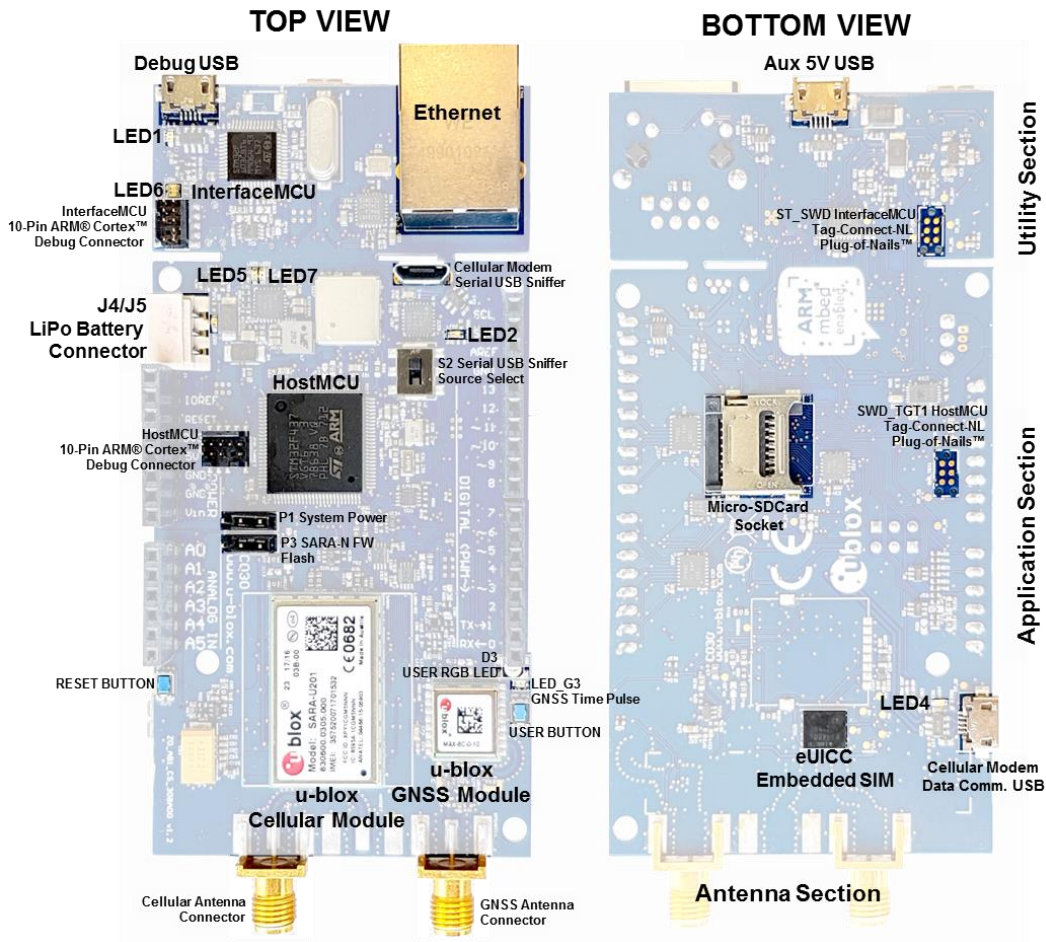


Figure 8: C030-U201 major component locations

The C030-N211 NB-IoT variant has a different component and PCB configuration.

- There is no international data roaming eUICC (embedded SIM) on the PCB. Instead, there is a MicroSIM card socket.
- There is no cellular modem data communication USB connector and relevant circuitry, as SARA-N2 series modules do not support USB device communication.
- In contrast to C030-U201, the C030-N211 has integrated NB-IoT and GNSS antennas by Antenova on the antenna section PCB.

The C030-N211 NB-IoT variant specific component locations are shown in [Figure 9](#).

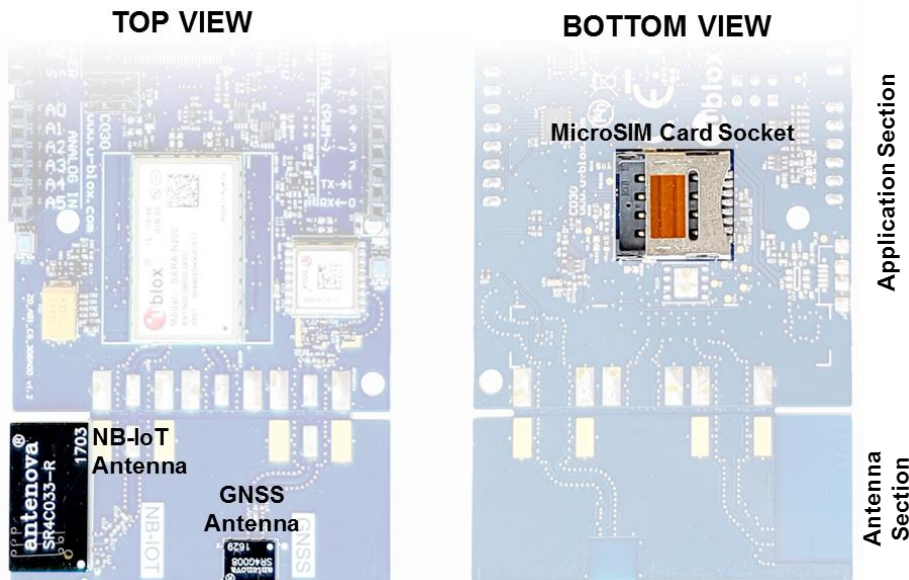


Figure 9: C030-N211 variant specific component locations

The connectors unique to the C030-R410M LTE Cat M1 / NB-IoT variant are:

- There is no international data roaming eUICC (embedded SIM) on the PCB. Instead, there is a MicroSIM card socket

The C030-R410M LTE Cat M1 / NB-IoT variant specific component locations are shown in [Figure 10](#).

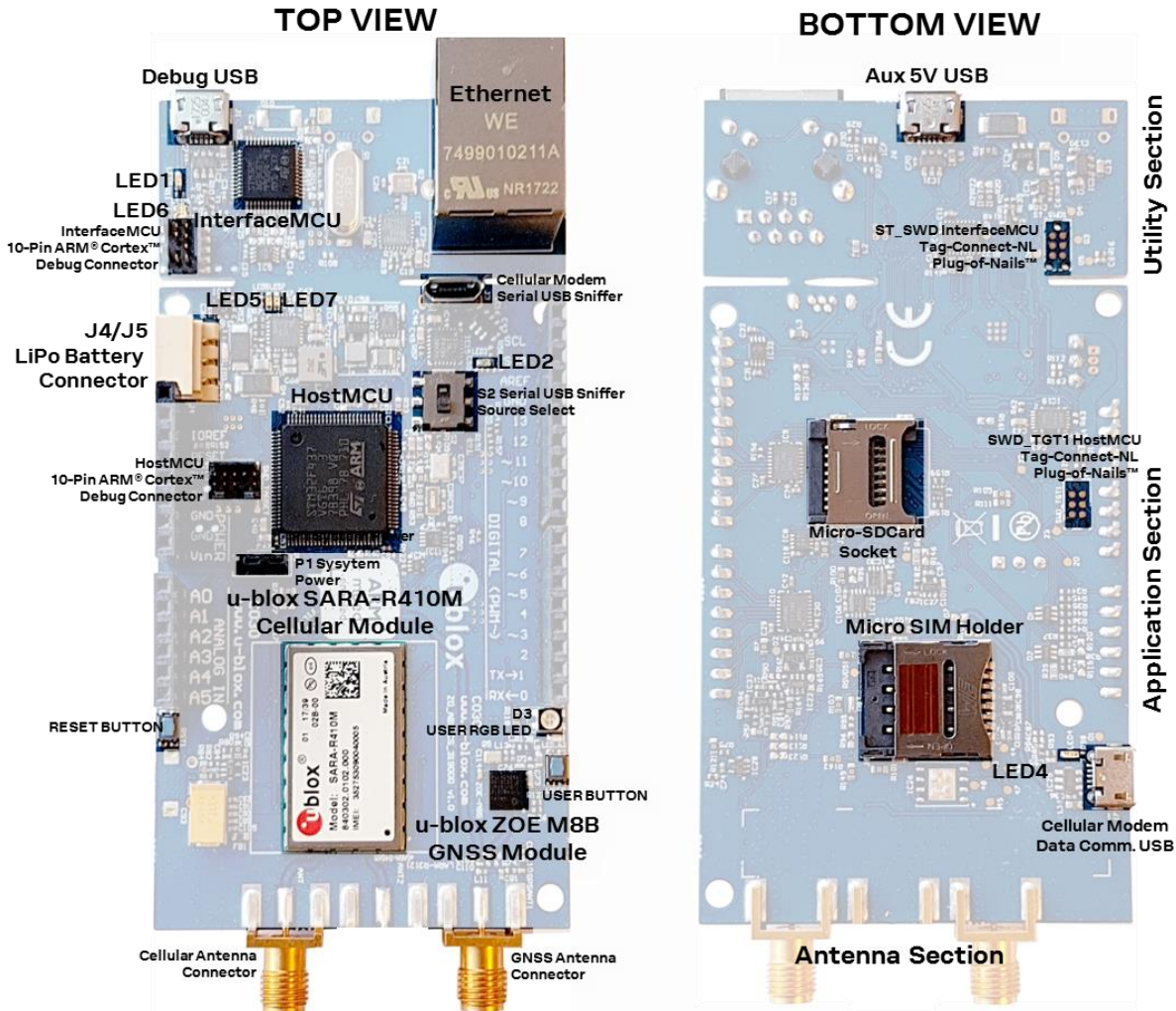


Figure 10: C030-R410M major component locations

The connector specific to the C030-R3121 LTE Cat 1 variant is:

- Diversity cellular antenna connector

The C030-R3121 LTE Cat 1 variant specific component locations are shown in [Figure 11](#).

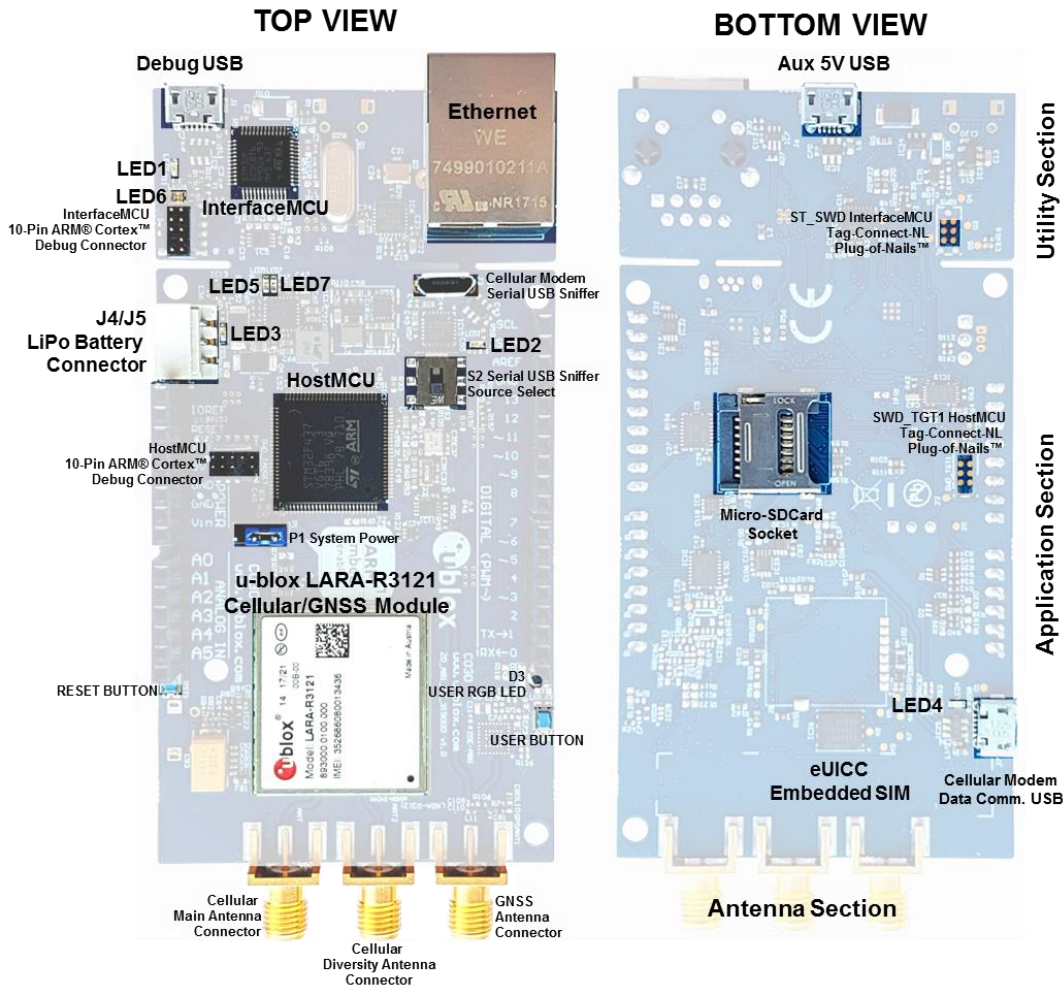


Figure 11: C030-R3121 major component locations

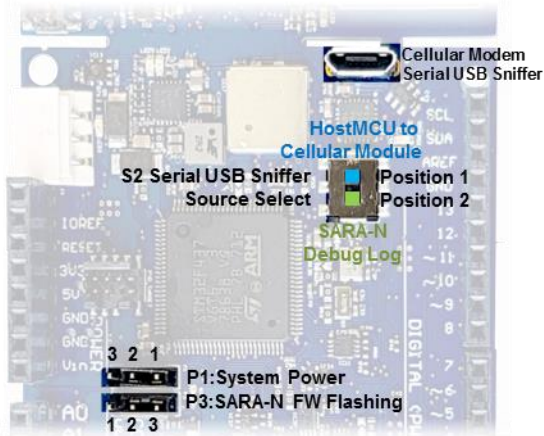
## 2.2 Buttons, jumpers and switches

The C030 is equipped with several buttons, jumpers and a switch that the user can easily utilize. The functions and locations of these components are provided in [Table 1](#) and shown in [Figure 8](#).

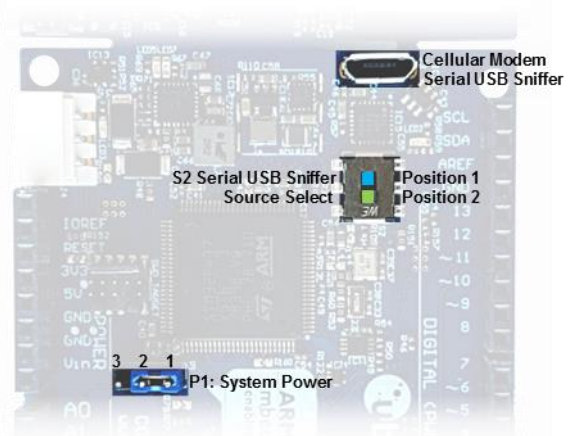
Annotation	Function	Description	Section
USER	User button	Push button for application use. Connected to HostMCU GPIO Port PC13	Application
RST1	Reset button	Push button to reset the HostMCU	Application
P1	System Power Jumper	System power input selection: <ul style="list-style-type: none"> <li>Pin 1-2: On board Power/Battery Management (<b>default configuration</b>)</li> <li>Pin 2-3: VIN pin of Arduino Uno R3 Interface</li> </ul>	Application
P3	SARA-N2 FW Flashing Jumper	Power supply jumper used for the C030-N211 FW upgrade <b>only</b> . Non-functional on other variants. <ul style="list-style-type: none"> <li>Pin 1-2: disabled (default configuration)</li> <li>Pin 2-3: flashing enabled</li> </ul>	Application
S2	Serial USB Sniffer Source Select	Select the cellular module communication UART channel to sniff: <ul style="list-style-type: none"> <li>On C030-U201 / C030-N211                             <ul style="list-style-type: none"> <li>Position 1: UART2 communication between HostMCU and cellular module (<b>default configuration</b>)</li> <li>Position 2: C030-N211 <b>only</b> debug output (921,600 b/s 8N1). Non-functional on other variants.</li> </ul> </li> <li>On C030-R410M / C030-R3121                             <ul style="list-style-type: none"> <li>Position 1: Isolation</li> <li>Position 2: UART1 communication between HostMCU and cellular module</li> </ul> </li> </ul>	Application

**Table 1: C030 buttons, jumpers, and switches**

The C030 P1 and P3 jumpers and S2 switch positions are depicted in [Figure 12](#) and [Figure 13](#).



**Figure 12: C030-U201 / C030-N211 jumper and switches**



**Figure 13: C030-R410M / C030-R3121 jumper and switches**



## 2.2.1 Utilization of cellular modem USB sniffer (and programmer)


The C030 cellular modem USB sniffer provides two virtual UART COM channels to the connected USB master (development PC). The cellular module USB sniffer USB VBUS 5VDC rail powers the application section of the C030. The virtual COM ports are utilized as follows:

C030-U201 / C030-N211 variants:

- Standard COM port as on the development PC: HostMCU USART1 Tx “printf” channel sniffing.
  - HostMCU USART1 Tx is also connected to the InterfaceMCU on the utility section
  - HostMCU USART1 Rx is connected to InterfaceMCU on the utility section
  - Host HostMCU USART1 Rx can be connected to the cellular modem USB sniffer standard COM port Tx channel via R137 link (see [Table 4](#)). In this case, do **one** of the following:
    - The utility section should be powered off (disconnect Debug USB)
    - Snap-off the utility section
    - Remove R133 link (see [Table 4](#))
- Enhanced COM port as on the development PC. Two operation modes can be selected by using the S2 switch (see [Figure 12](#)):
  1. **S2 Position 1:** HostMCU USART2 to cellular module communication. Allows direct access to the cellular module. In this case, implement the following steps:
    - Connect the R151 link(see [Table 4](#))
    - Remove the R105 link **or** set the HostMCU PD\_5 port as GPIO input to avoid collision
    - This mode is **only** used for **SARA-N2 FW Flashing/Programming** for C030-N211 variant. The P3 Jumper should be configured accordingly to utilize this function (see [Table 1](#))
  2. **S2 Position 2:** SARA-N2 module debug log output (GPIO1) with 921,600 b/s 8N1 configuration for the C030-N211 variant **only**.

C030-R410M / C030-R3121 variants:

- Standard COM port as on the development PC: HostMCU USART2 Tx “printf” channel sniffing.
  - HostMCU USART2 Tx is also connected to the InterfaceMCU on the utility section
  - HostMCU USART2 Rx is connected to InterfaceMCU on the Utility section
  - Host HostMCU USART2 Rx can be connected to the cellular modem USB sniffer standard COM port Tx channel via R137 link (see [Table 4](#)). In this case, do **one** of the following:
    - The utility section should be powered off (disconnect Debug USB)
    - Snap-off the utility section
    - Remove R133 link (see [Table 4](#))
- Enhanced COM port as on the development PC. Two operation modes can be selected by using the S2 switch (see [Figure 13](#)):
  1. S2 Position 1: Isolation
  2. **S2 Position 2:** HostMCU USART1 to cellular module communication. Allows direct access to the cellular module. In this case, do **one** the following:
    - Remove R105 link
    - set the HostMCU PA\_5 Port as GPIO input to avoid collusion

 Enhanced COM port Mode 1 direct access to the cellular module allows using development PC applications like u-blox m-center, to exercise the cellular module AT command interface bypassing the C030 HostMCU.













 On the R410M / R3121 variants, usage of USART1 and USART2 have been swapped as compared with the U201 / N211 variants.

## 2.3 LED indicators

The C030 has a few LEDs to indicate the board status for generic application use. Due to the low power design of C030, if the C030 is **not** connected to an external power source or is powered from battery only, all the LEDs except D3 (User RGB LED) and LED\_G3 (GNSS Time Pulse LED) are off.

As the D3 and LED\_G3 LEDs are controlled by the application, they can be completely turned off to save power.

The C030 LED indicators are listed in [Table 2](#) and their locations are depicted in [Figure 8](#).

Annotation	Function	Description	Color
LED1	Debug USB VBUS	VBUS 5 V indicator for InterfaceMCU supply	
LED2	Serial USB Sniffer VBUS	VBUS 5 V indicator for serial USB sniffer supply	
LED3	Aux 5 V USB VBUS	VBUS 5 V indicator for 5 VDC supply input	
LED4	Cellular module USB VBUS	VBUS 5 V indicator (not available for the C030-N211)	
LED5	Battery charging / man. Input	Battery Charging/Management 5 VDC input supply indicator	
LED6	STLink/CMSIS-DAP status	InterfaceMCU Debugging/Flashing status RED/GREEN indicator	
LED7	Battery charging status	Battery Charging/Management battery charging status indicator	
D3	User RGB LED	HostMCU GPIO driven; PE_3: RED, PE_4: GREEN, PE_1: BLUE (all negative logic)	
LED_G3 <sup>1</sup>	GNSS time pulse	GNSS status with 1 s blinks. Managed by HostMCU GPIO PA_15. 0 = off, 1 = on  Not supported by C030-R410M / C030-R3121.	
ETH Green <sup>2</sup>	ETH connection speed	Connection speed indication. On:100 Mb/s, Off:10 Mb/s	
ETH Yellow <sup>2</sup>	ETH transaction/traffic	Indicates Ethernet transaction. Controlled by HostMCU GPIO PE_7	

**Table 2: C030 LED indicators**

<sup>1</sup> GNSS Time Pulse LED indicator, LED\_G3, is powered by the application section 3.3 VDC rail controlled by the HostMCU PE\_0 port. If the Application Section 3.3 VDC supply rail is not turned on, the GNSS Time Pulse LED does not light up.


<sup>2</sup> Ethernet LED indicators are powered by 3.3 VDC generated from the Debug USB VBUS, which powers the whole Utility section. If the Debug USB is not connected to a USB Master (for example, a development PC), the Utility section is powered down, and therefore the Ethernet LED indicators do not light up.


## 2.4 Connectors

The C030 has various connectors as listed in [Table 3](#). See [Figure 8](#), [Figure 9](#), [Figure 10](#) and [Figure 11](#) for connector locations.

Name	Function	Description	Section
ETH1	Ethernet receptacle	10/100 Mb/s Ethernet network connector	Utility
J6	Auxiliary 5V USB	Micro USB Device connector for auxiliary 5 VDC supply input to connect a high current 5 VDC PSU	Utility
J1	Debug USB	Micro USB Device connector for 5 VDC supply and ST-Link/CMSIS-DAP debug interface	Utility
J2	Micro SD Card Socket	Micro SD card holder for FAT file system	Application
J3	Serial USB Sniffer	Micro USB Device connector for 5 VDC supply and Serial USB Sniffer interface	Application
J4/J5	LiPo Battery Connector	LiPo Chargeable battery connector. J4:Not populated alternative connector, J5:Molex 22-05-7035	Application
J7	Cellular Module USB	Micro USB device connector for cellular module USB interface	Application
J8	SIM card holder	SIM card holder (for C030-N211 and C030-R410M only)	Application
SWD	InterfaceMCU Debug	10-pin Arm Cortex Debug Connector for InterfaceMCU (may not be populated)	Utility
ST_SWD	InterfaceMCU Debug	Tag-Connect-NL Plug-of-Nails™ connector compatible PCB touch points footprint for InterfaceMCU	Utility
SWD_TARGET	HostMCU Debug	10-pin Arm Cortex Debug Connector for InterfaceMCU (may not be populated)	Application
SWD_TGT1	HostMCU Debug	Tag-Connect-NL Plug-of-Nails connector compatible PCB touch points footprint for HostMCU	Application
ANT	Cellular Main Antenna	SMA connector for the cellular module primary antenna (ANT1, Tx/Rx). N/A for C030-N211	Application
ANT2	Cellular Diversity Antenna	SMA connector for the cellular module secondary antenna (ANT2, Rx). For C030-R3121 only	Application
GPSANT	GNSS receiver antenna	SMA connector for the GNSS module (RF_IN, Rx) or the LARA-R3121 GPS receiver. N/A for C030-N211	Application

**Table 3: C030 connector description**

 The J2 Micro SD Card Socket shares the Arduino Interface D10 to D13 pins, which are used as an SPI bus to the HostMCU SPI4 peripheral. The D10 pin (NSS) is used as an SD Card SPI Slave Select signal. When the SPI bus on the Arduino Interface is utilized by other SPI slaves on daughter boards, free Arduino digital IO lines should be utilized for Slave Select signals.

 As the SD card interface and its supply voltage are designed to work with 3.3 VDC, the SD card socket shall not be used when the Arduino interface IOREF voltage level is set to higher than 3.3 VDC. Such usage could cause a permanent damage and/or a failure to an SD card inserted in the J2 socket and the C030's Arduino™ interface level translators. (See R152 and R153 links in [Table 4](#)).

## 2.5 Configuration links / components

The C030 has multiple configurations links and components as SMT footprints, which require de-soldering/soldering these links or components on the PCB. The footprints of these configuration links, which are listed in [Table 4](#) and depicted in [Figure 14](#), are adequate to solder 0603 SMT components or short with solder.

Name	Function	Variant <sup>3</sup>				Description
		U201	N211	R410M	R3121	
R2	InterfaceMCU 1.8VDC supply sampling	●	●	●	●	Utilized for monitoring HostMCU 1.8 VDC supply level through a voltage divider
R3	InterfaceMCU PB_3 Port pull up link	●	●	●	●	Link to InterfaceMCU 3.3 VDC rail
R5	InterfaceMCU 3.3VDC analog reference link	○	○	●	●	Reference voltage for InterfaceMCU AtoD conversion
R6	Cellular module current sense	○	○	●	●	(Provisional <sup>4</sup> ) Connected to cellular module power supply current instrumentation amplifier output to measure the current level
R7	GNSS module current sense	○	○	●	●	(Provisional <sup>4</sup> ) Connected to GNSS module power supply current instrumentation amplifier output to measure the current level
R14	InterfaceMCU 32 kHz Clock input	○	○	○	○	Ground connection
R15	InterfaceMCU BOOT0 pull up	○	○	○	○	Link to InterfaceMCU 3.3 VDC PSU
R20	InterfaceMCU USART2 Virtual COM Tx link	●	●	●	●	Link to HostMCU USART1 Tx signal through 3.3 V to 1.8 V level translator
R21	InterfaceMCU USART2 Virtual COM Rx link	●	●	●	●	Link to HostMCU USART1 Rx signal through 3.3 V to 1.8 V level translator
R22	InterfaceMCU Virtual COM Loop back	○	○	○	○	For testing InterfaceMCU Virtual COM port
R23	InterfaceMCU I2C1 SDA link	○	○	○	○	(Provisional <sup>5</sup> ) Link to HostMCU I2C3 SDA bus through 3.3 V to 1.8 V level translator
R25	InterfaceMCU I2C1 SCL link	○	○	○	○	(Provisional <sup>5</sup> ) Link to HostMCU I2C3 SCL bus through 3.3 V to 1.8 V level translator
R31	Arduino Interface IOREF to 3.3V	●	●	●	●	33 Ω link to 3.3 VDC
R33	Arduino Interface 3.3V supply	●	●	●	●	Link to 3.3 VDC rail
R38	Arduino Interface A4 pin voltage divisor	●	●	●	●	1 kΩ voltage divisor resistor for analog input. It could be removed for I2C SDA alternative usage
R39	Arduino Interface A5 pin voltage divisor	●	●	●	●	1 kΩ voltage divisor resistor for analog input. It could be removed for I2C SCL alternative usage
R47	HostMCU BOOT1 Pull down	○	○	○	○	HostMCU BOOT1 input setting to '0'
R48	HostMCU Temp Sensor power link	●	●	●	●	Si7034-A10 Temperature sensor power supply link <sup>6</sup> . Supply feeding to the temperature sensor from the HostMCU PD14 when it is set to '1'. PD14 Push-Pull output circuitry limits the current to the sensor.

<sup>3</sup> ●: Connected/populated, ○: Not connected/open

<sup>4</sup> Provisional feature (Module current consumption): instrumenting the current consumption of the Cellular and GNSS Modules from the InterfaceMCU to characterize and instrument the application behavior during development.

<sup>5</sup> Provisional feature (I2C Bus Access): accessing Application section sensors and devices on the HostMCU I2C3 Bus from InterfaceMCU to characterize and instrument the application behavior during development.

<sup>6</sup> The Si7034-A10 is a Temperature and Relative Humidity Sensor. The HostMCU PD\_4 port cannot provide enough current to the sensor to run the humidity sensor's heating element. So the humidity feature of the sensor shall not be used.

Name	Function	Variant <sup>3</sup>				Description
		U201	N211	R410M	R3121	
R53	HostMCU 32 kHz RTC link	●	●	●	●	Links RTC crystal to the HostMCU
R56	Application Section 3.3VDC PSU control	●	●	●	●	Links the HostMCU PE_0 port to control 3.3VDC PSU. '0':disable, '1':enable
R59	HostMCU Reset Pull up	○	○	○	○	The application section reset circuitry pull up resistor
R60	HostMCU 32 kHz RTC link	●	●	●	●	Links RTC crystal to the HostMCU
R61	Host MCU 12 MHz XTAL link	●	●	●	●	The HostMCU 12 MHz crystal link
R68	HostMCU BOOT0 Pull down	●	●	●	●	HostMCU BOOT0 10 kΩ Pull down to ground for input setting to '0'
R77	Cellular Module voltage translator supply	●	○	●	●	Voltage translator supply level for the cellular module side for the HostMCU USART2 communication. Link the translator supply input to Cellular Module's V_INT internal supply output
R78	Cellular Module voltage translator supply	○	●	○	○	Voltage translator supply level for the cellular module side for the HostMCU USART2 communication. Link the translator supply input to the application section supply rail VSYS. For R410M/R3121 USART1 is used.
R79	LiPo Battery charging link	○	○	●	●	Battery Charging and Management circuitry link to LiPo Battery for charging
R95	Cellular Module UB_M_PWRON to M_VBCKUP link	●	○	○	○	100 kΩ connection between M_VBCKUP and UB_M_PWRON nets
R96	Cellular Module V_BCKP link	●	●	○	○	Link to M_VBCKUP net
R97	Cellular Module PWR_ON link	●	○	●	●	The HostMCU PD2 port UB_M_PWRON signal to Cellular Module PWR_ON pin
R99	The HostMCU PC11port to Cellular Module GPIO1 link	○	○	○	○	The HostMCU UART4 Rx to Cellular Module GPIO1 link
R100	Serial USB Sniffer to Cellular Module GPIO1 link	○	●	○	○	Link to SARA-N2 Debug Log output GPIO1 Not functional on C030-R3121
R101	Cellular Module USB VBUS link	●	○	●	●	Cellular Module VUSB_DET
R102	Cellular Module GPIO2 link	●	●	●	●	Link to the HostMCU PD1 port
R103	Cellular Module to GNSS Module link	●	●	●	●	Cellular Module GPIO4 to GNSS Module GPS_EXTINT link Not functional on C030-R3121
R104	Cellular Module USB Data_N signal link	●	○	●	●	Cellular Module USB signal to J7 Cellular Module USB connector
R105	HostMCU USART2 Tx link For R410M/R3121 USART1	●	●	●	●	When removed, isolates the HostMCU USART2 Tx pin PD_5 from the cellular module. Could be used in a configuration to drive the cellular module from the Serial USB Sniffer directly.
R107	Cellular Module USB Data_P signal link	●	○	●	●	Cellular Module USB signal to the J7 Cellular Module USB connector
R111	HostMCU USART2 Rx link For R410M/R3121 USART1	●	●	●	●	When removed isolates HostMCU USART2 Rx pin PD_6 from the Cellular Module Could be used in a configuration to drive the Cellular Module from the Serial USB Sniffer directly
R112	Cellular Module Flash provision	○	○	○	○	SARA-N2 Flash provision

Name	Function	Variant <sup>3</sup>				Description
		U201	N211	R410M	R3121	
R113	Cellular and GNSS Module I2C Bus link	●	●	○	○	Link for I2C SCL signal Not functional on C030-R3121
R114	Cellular and GNSS Module I2C Bus link	●	●	○	○	Link for I2C SDA signal Not functional on C030-R3121
R115	Cellular Module GPIO2 option	○	○	○	○	Cellular Module GPIO2 to Ground
R116	Cellular Module Pin 21 option	●	●	●	●	Cellular Module Pin 21 to Ground
R117	Cellular Module RSVD pin option	●	●	●	●	Cellular Module RSVD pin to ground
R118	GNSS current sense amplifier supply link	●	●	○	○	Link to 3.3 VDC
R119	Arduino™ Uno R3 interface A5 pin I2C provision	○	○	○	○	Link to Arduino™ Uno R3 interface SCL pin
R120	Arduino™ Uno R3 interface A4 pin I2C provision	○	○	○	○	Link to Arduino™ Uno R3 interface SDA pin
R121	GNSS Module Time Pulse indicator LED link	●	●	●	○	Link to LED_G3 for GNSS Time Pulse indication
R124	HostMCU 1.8V Backup Battery link	●	●	●	●	Links the 1.8 V battery backed supply rail to the HostMCU 4 kB of battery backed SRAM
R133	HostMCU USART1 Virtual COM Rx link For R410M/R3121 USART2	●	●	●	●	Link to InterfaceMCU USART2 Rx signal through 1.8 V to 3.3 V level translator
R134	HostMCU USART1 Virtual COM Tx link For R410M/R3121 USART2	●	●	●	●	Link to InterfaceMCU USART2 Tx signal through 1.8 V to 3.3 V level translator
R135	HostMCU External System Clock (Osc.) link	○	○	○	○	Link to 8 MHz clock generated from InterfaceMCU to drive the HostMCU
R136	HostMCU USART1 USB Sniffer Tx link For R410M/R3121 USART2	●	●	●	●	Link to Serial USB Sniffer Rx input
R137	HostMCU USART1 USB Sniffer Rx link For R410M/R3121 USART2	○	○	○	○	Link to Serial USB Sniffer Tx output
R142	InterfaceMCU 3.3 VDC supply sampling	○	○	○	○	Utilized for monitoring the InterfaceMCU 3.3VDC supply level
R144	HostMCU PA0 pull up	○	○	○	○	HostMCU PA_0-WKUP pin setting
R145	HostMCU BOOT1 Pull up	●	●	●	●	HostMCU BOOT1 input setting to '1'
R146	HostMCU BOOT0 Pull up	○	○	○	○	HostMCU BOOT0 input setting to '1'
R147	Serial USB Sniffer Reset link	○	○	○	○	Link between Serial USB Sniffer's reset input to the Application section reset signal
R150	The Si7034-A10 is a Temperature and Relative Humidity Sensor power link	○	○	○	○	Link to 1.8VDC supply rail. See R48 link for utilization.
R151	Serial USB Sniffer Tx link to Cellular Module	○	○			When connected links the Cellular Module to the Serial USB Sniffer directly. To use isolate HostMCU USART2 Tx pin on port PD_5 by removing R105, or set port PD_5 as input
R152	Arduino™ interface IOREF voltage level selection for 3.3 VDC	●	●	●	●	Link to Arduino™ interface 3.3 V pin
R153	Arduino™ interface IOREF voltage level selection for 5 VDC	○	○	○	○	Link to Arduino™ interface 5 V pin
R174	Serial USB Sniffer Tx link to Cellular Module			●	●	Links the Cellular Module to the Serial USB Sniffer directly for R410M/R3121 variants.

**Table 4: C030 HW configuration links and components**

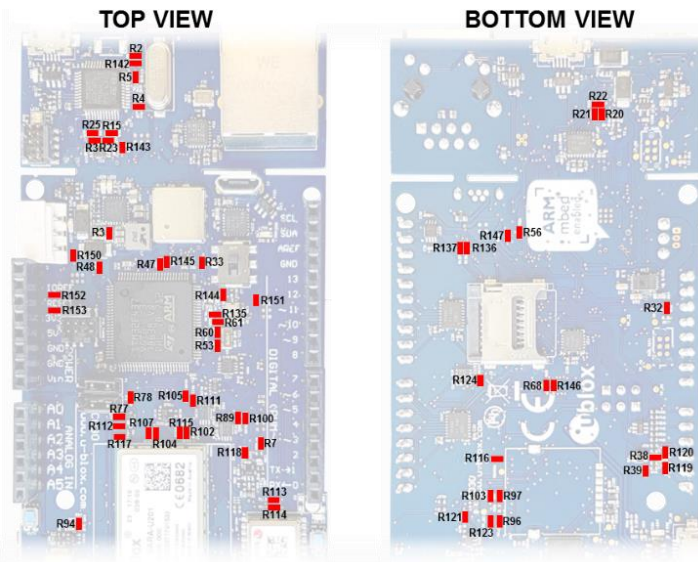


Figure 14: C030 configuration links and components

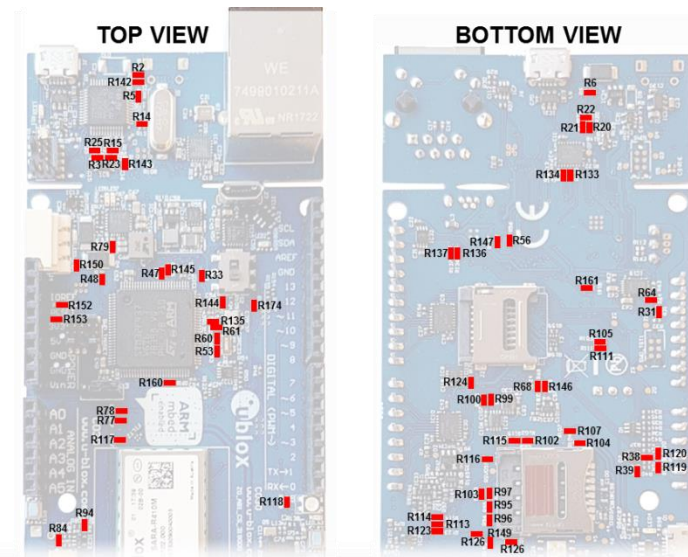


Figure 15: C030-R410M configuration links and components

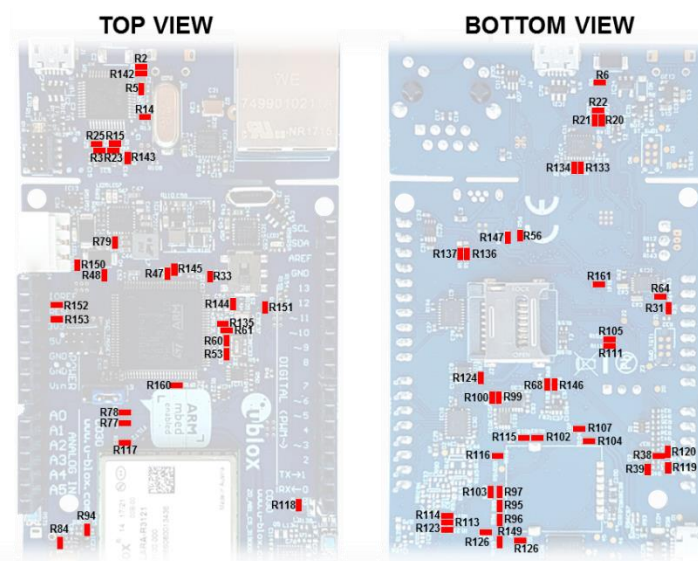


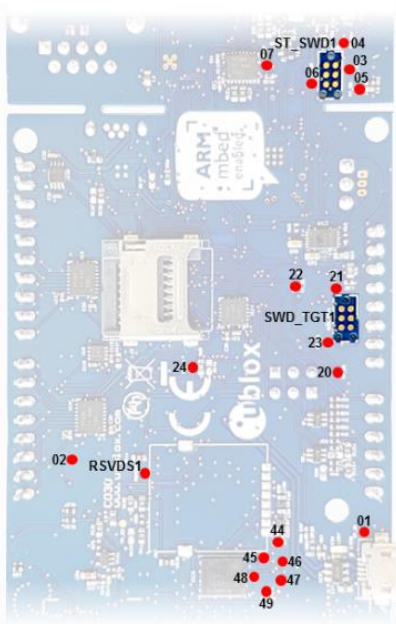
Figure 16: C030-R3121 Configuration links and components

## 2.6 Test, break out points, and debug interfaces

The C030 has test and break out points to access key signals of the circuitry as well as interface and Host MCU debug interfaces placed on the bottom side of the PCB for easy access. These are listed in [Table 5](#) and depicted in [Figure 17](#).

Name	Signal
01	Cellular module supply voltage
02	GNSS module supply voltage
03	InterfaceMCU SWDCLK
04	InterfaceMCU SWDIO
05	InterfaceMCU reset
06	3.3 VDC supply for InterfaceMCU
07	OE signal for IC4 level translator between Utility and Application sections
08 to 19	N/A
20	1.8VDC supply for Host MCU
21	Host MCU SWDIO
22	Host MCU Reset
23	Host MCU SWDCLK
24	Host MCU BOOT0
44	Cellular module pin 44 break-out (SPK_P). Unused
45	Cellular module pin 45 break-out (SPK_N). Unused
46	Cellular module pin 46 break-out (MIC_BIAS). Unused
47	Cellular module pin 47 break-out (MIC_GND). Unused
48	Cellular module pin 48 break-out (MIC_N). Unused
49	Cellular module pin 49 break-out (MIC_P). Unused
RSVDS1	Cellular module pin 19 break-out (RSVD, Reserved). Unused
ST-SWD1	Tag-Connect-NL Plug-of-Nails™ connector compatible PCB touch points footprint for Interface MCU
SWD_TGT1	Tag-Connect-NL Plug-of-Nails™ connector compatible PCB touch points footprint for Host MCU

**Table 5: C030 test and break out points and debug interfaces**



**Figure 17: C030 test and break out points and debug interfaces (bottom view)**



## 2.7 Arduino™ UNO R3 compatible interface pin out

C030 Arduino™ UNO R3 compatible interface details are given in [Table 6](#) and depicted in [Figure 18](#).

Conn.	Pin N°	Arduino naming	Description	HostMCU port assignment	Alternate functions and notes
Ard1A	1	n.c.	Not connected		
	2	IOREF	IO reference voltage level. Connected to 3.3 VDC		Could be used as input for external IO level setting.
	3	nR	Reset signal input. Negative logic		
	4	3.3V	3.3 VDC supply output		Controlled by HostMCU Port PE_0 0: Disable, 1:Enable
	5	5V	5 VDC Reference input		Could be used as IO Reference input
	6	GND	Ground level		
	7	GND	Ground level		
	8	VIN	External DC supply input	In the range of 2.5 VDC to 5.5 VDC	See Jumper J1 in section <a href="#">2.4</a>
Ard1B	9	A0	Analog input	PA_3 Analog input <sup>7</sup>	GPIO, Ext. interrupt
	10	A1	Analog input	PC_0 Analog input <sup>7</sup>	GPIO, Ext. interrupt
	11	A2	Analog input	PC_3 Analog input <sup>7</sup>	GPIO, Ext. interrupt
	12	A3	Analog input	PA_4 Analog input <sup>7</sup>	GPIO, Ext. interrupt
	13	A4	Analog input	PA_6 Analog input <sup>7</sup> , PB_7 I2C1 SDA <sup>8</sup>	GPIO, Ext. interrupt
	14	A5	Analog input	PB_0 Analog input <sup>7</sup> , PB_6 I2C1 SCL <sup>9</sup>	GPIO, Ext. interrupt
Ard1C	15	D0	Digital I/O, UART RX	PD_9, USART3_TX	GPIO, Ext. interrupt
	16	D1	Digital I/O, UART TX	PD_8, USART3_RX	GPIO, Ext. interrupt
	17	D2	Digital I/O	PD_11	USART3_CTS, GPIO, External interrupt
	18	D3	Digital I/O	PB_14	USART3_RTS, GPIO, PWM, Ext. interrupt
	19	D4	Digital I/O	PB_1	GPIO, PWM, Ext. interrupt
	20	D5	Digital I/O	PA_5	GPIO, PWM, Ext. interrupt
	21	D6	Digital I/O	PB_8	GPIO, PWM, Ext. interrupt
	22	D7	Digital I/O	PB_15	GPIO, PWM, Ext. interrupt
	23	D8	Digital I/O	PD_15	GPIO, Ext. interrupt
	24	D9	Digital I/O	PD_12	GPIO, Ext. interrupt
Ard1D	25	D10 <sup>10</sup>	Digital I/O	PE_11, SPI4 NSS, shared with SD Card	GPIO, PWM, Ext. interrupt
	26	D11	Digital I/O	PE_6, SPI4 MOSI, shared with SD Card	GPIO, PWM, Ext. interrupt
	27	D12	Digital I/O	PE_5, SPI4 MISO, shared with SD Card	GPIO, PWM, Ext. interrupt
	28	D13	Digital I/O	PE_2, SPI4 SCK, shared with SD Card	GPIO, Ext. interrupt
	29	GND	Ground level		
	30	AREF	3.3 VDC Reference		
	31	SDA	I2C SDA I/O	PB_6 I2C1 SCL	GPIO, Ext. interrupt
	32	SCL	I2C SCL Output	PB_7 I2C1 SDA	GPIO, Ext. interrupt

**Table 6: C030 Arduino UNO R3 compatible interface**

<sup>7</sup> Pin is connected to the port via 1 k $\Omega$ /1 k $\Omega$  resistive voltage divider.

<sup>8</sup> PB\_7 could be connected to the (A4) Ard1B Pin 13 to provide I2C1 SDA signal.

<sup>9</sup> PB\_6 could be connected to the (A5) Ard1B Pin 14 to provide I2C1 SCL signal.

<sup>10</sup> Arduino interface D10 to D13 pins are used as an SPI Bus to HostMCU SPI4 peripheral. The D10 to D13 pins are shared with the SD card socket.

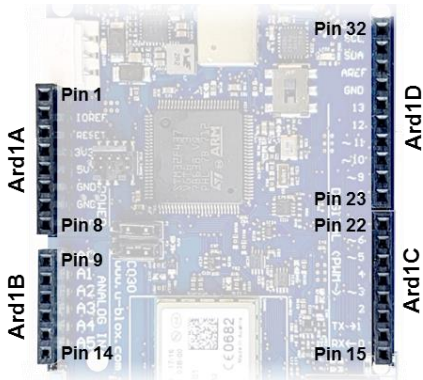



Figure 18: C030 Arduino™ UNO R3 connectors

## 2.8 Power supply options and LiPo battery usage

The C030 can be powered up from several resources, individually or all together. The power supply usage configurations are provided in [Table 7](#).

#	Connector	Description
1	Debug USB	Uses development PC's USB 5 VDC VBUS to power up the Utility and Application sections of the C030. It charges up the LiPo battery if it is connected.
2	Aux 5V USB	Auxiliary USB power input. A USB power supply could be connected to power up only the Application section of the C030. It charges up the LiPo battery if it is connected. There is no communication functionality.
3	Serial USB sniffer	Uses Development PC's USB 5 VDC VBUS to power up only the Application section of the C030. It charges up the LiPo battery if it is connected. The serial USB sniffer circuitry could only be powered from its dedicated USB connector.
4	LiPo battery	The C030 Application section could run only from a LiPo Battery connected. If one or many of the #1, #2, #3 USB connections are available. The LiPo Battery is charged up as well.
5	Arduino™ UNO R3 VIN Pin 8	Arduino™ UNO R3 VIN pin 8 could be used to power up entire the C030 Application section except serial USB sniffer circuitry. STLink (or CMSIS-DAP when available) feature could be used through the debug USB. However, the C030 Application section including LiPo Battery management circuitry is disconnected. The VIN input voltage should be in the range of 2.5 VDC to 5.5 VDC.

Table 7: C030 power supply options and LiPo battery usage

 The C030 could run on a single supply input from #1 debug USB or #3 serial USB sniffer. However, the cellular module transmission power demand might not be satisfied from these connections. In such a use case, the C030 might be suffering brownout dues to USB VBUS supply rail cuts due to USB current limitations. Therefore, either a 5 VDC USB power supply with ~3 ADC capacity should be connected to the Aux 5V USB connector and/or an adequate LiPo battery, such as a BAK LP-503759-IS-3, should be connected to the LiPo battery connector. The locations of the power supply connections are shown in [Figure 19](#). It is recommended to use LiPo battery in conjunction to the USB connections as high frequency current demands might not be provided by the USB VBUS rails but the LiPo battery

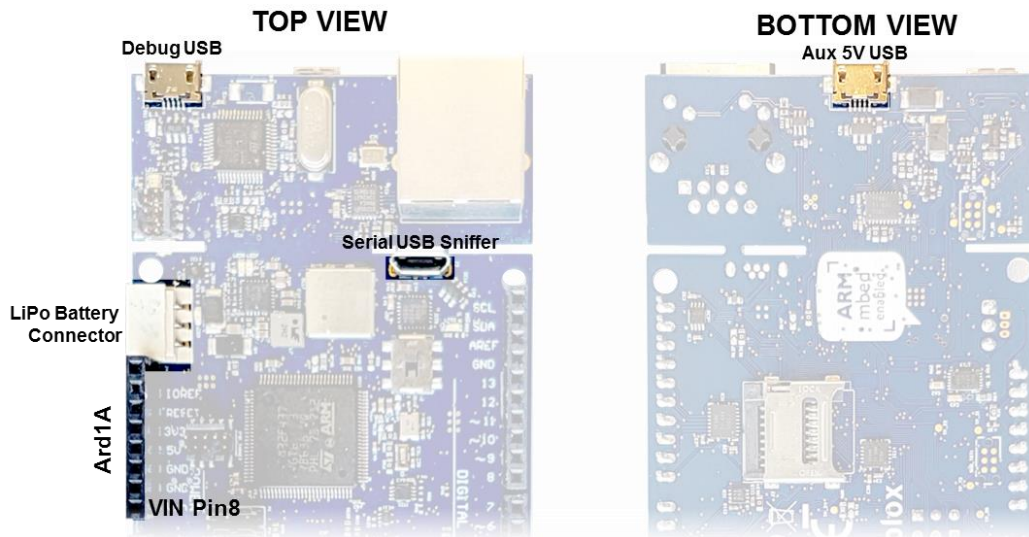


Figure 19: C030 power supply connection options

## 2.9 C030-N211 variant cellular module firmware upgrade

When new firmware is available for the SARA-N211 cellular module, it is possible to upgrade the firmware on the SARA-N211 that is on the C030-N211 board. For firmware upgrades, contact your local u-blox representative.

## 3 Getting started

### 3.1 eUICC (embedded SIM) activation

 This section applies to the C030-U201 and C030-R3121 only.

The C030-U201 / C030-R3121 variants have an integrated eUICC (embedded SIM) for international data roaming cellular connectivity service. The 50 MB of data or the 90-day period of cellular connectivity service, whichever comes first, are covered in the C030-U201 / C030-R3121 package to provide a seamless out-of-the-box experience.

The international data roaming connectivity service is provided by JT<sup>®</sup> JTGlobal. The service must be activated through the Internet. The JT<sup>®</sup> international data roaming cellular connectivity service activation procedure is provided below:

Visit <http://www.jtiotsims.com/ubxC030> (the link is forwarded automatically to <https://jtiotsims.com/ubxC030/>)

1. Register (or Login) to your account
2. Enter the C030-U201 / C030-R3121 IMSI code given on the C030-U201 / C030-R3121 board
3. Customize the PIN code or leave as default
4. Optionally name your IMSI for easier top up in the future
5. Accept the Terms and Conditions
6. Click “Activate” to start your connectivity service.

### 3.2 C030 board setup

1. (Omit for C030-U201 / C030-R3121) Insert the SIM card into the SIM connector/card holder.
2. (Omit for C030-N211) Connect the cellular antenna to the cellular main antenna SMA female connector (ANT1)
3. (Optional) connect the Diversity cellular antenna to the cellular diversity antenna SMA female connector (ANT2)
4. (Omit for C030-N211) Connect the GNSS antenna to the GNSS antenna SMA female.
5. Configure the C030 as described in section [2.2](#).
6. Power up the C030 board as described in section [2.8](#).

### 3.3 Development PC USB driver configuration

Although the USB drivers can be loaded by the development PC operating system automatically, it is recommended to follow the guidelines mentioned below:

The debug USB port STLink/V2-1 interface needs a driver. These drivers are available at: [http://www.st.com/content/st\\_com/en/products/embedded-software/development-tool-software/stsw-link009.html](http://www.st.com/content/st_com/en/products/embedded-software/development-tool-software/stsw-link009.html).

Similarly, the cellular modem USB sniffer USB port interface needs a driver, which is available at: <http://www.silabs.com/products/interface/usb-bridges/classic-usb-bridges/device.cp2105>

## 3.4 Getting started with Mbed

Up-to-date information on how to operate the C030 starter kit within the Mbed development environment is available at:

- For the C030-U201 variant: <https://developer.mbed.org/platforms/ublox-C030-U201/>  
(Link is forwarded automatically to the site <https://os.mbed.com/platforms/ublox-C030-U201/>)
- For the C030-N211 variant: <https://developer.mbed.org/platforms/ublox-C030-N211/>  
(Link is forwarded automatically to the site <https://os.mbed.com/platforms/ublox-C030-N211/>)
- For C030-R410M variant: <https://developer.mbed.org/platforms/ublox-C030-R410M/>  
(Link is forwarded automatically to the site <https://os.mbed.com/platforms/ublox-C030-R410M/>)
- For C030-R3121 variant: <https://developer.mbed.org/platforms/ublox-C030-R3121/>  
(Link is forwarded automatically to the site <https://os.mbed.com/platforms/ublox-C030-R3121/>)

## 4 Approvals

### 4.1 C030-U201 European Conformance CE mark

The C030-U201 application board has been evaluated against the essential requirements of the 2014/53/EU Radio Equipment Directive.

In order to satisfy the essential requirements of the 2014/53/EU Radio Equipment Directive, the device is compliant with the following standards:

- Radio Frequency spectrum use (Article 3.2):
  - EN 301 511
  - EN 301 908-1
  - EN 301 908-2
  - EN 303 413
- Electromagnetic Compatibility (Article 3.1b):
  - EN 301 489-1
  - EN 301 489-19
  - EN 301 489-52
- Health and Safety (Article 3.1a)
  - EN 62368-1
  - EN 62311 and EN 62479

The conformity assessment procedure for C030-U201 application boards, referred to in Article 17 and detailed in Annex III of Directive 2014/53/EU, has been followed.

Thus, the following marking is included in the product:



There are no restrictions for the commercialization of the C030-U201 application boards in all the countries of the European Union.

- ⚠ Radiofrequency radiation exposure Information: this equipment complies with radiation exposure limits prescribed for an uncontrolled environment for fixed and mobile use conditions. This equipment should be installed and operated with a minimum distance of 20 cm between the radiator and the body of the user or nearby persons. This transmitter must not be collocated or operating in conjunction with any other antenna or transmitter except as authorized in the certification of the product.
- ⚠ The gain of the system antenna(s) used for C030-U201 application boards (i.e. the combined transmission line, connector, cable losses and radiating element gain) must not exceed 2.96 dBi (in the 900 MHz band, i.e. GSM 900 or UMTS FDD-8 band), 7.85 dBi (in the 1800 MHz band, i.e. GSM 1800 band), 11.84 dBi (in the 2100 MHz band, i.e. UMTS FDD-1 band) for mobile and fixed or mobile operating configurations.

## 4.2 C030-N211 European Conformance CE mark

The C030-N211 application board has been evaluated against the essential requirements of the 2014/53/EU Radio Equipment Directive.

In order to satisfy the essential requirements of the 2014/53/EU Radio Equipment Directive, the device is compliant with the following standards:

- Radio Frequency spectrum use (Article 3.2):
  - EN 301 908-1
  - EN 301 908-13
  - EN 303 413
- Electromagnetic Compatibility (Article 3.1b):
  - EN 301 489-1
  - EN 301 489-19
  - EN 301 489-52
- Health and Safety (Article 3.1a)
  - EN 62368-1
  - EN 62311 and EN 62479

The conformity assessment procedure for C030-N211 application boards, referred to in Article 17 and detailed in Annex III of Directive 2014/53/EU, has been followed.

Thus, the following marking is included in the product:



There are no restrictions for the commercialization of the C030-N211 application boards in all the countries of the European Union.

- ⚠ Radiofrequency radiation exposure Information: this equipment complies with radiation exposure limits prescribed for an uncontrolled environment for fixed and mobile use conditions. This equipment should be installed and operated with a minimum distance of 20 cm between the radiator and the body of the user or nearby persons. This transmitter must not be collocated or operating in conjunction with any other antenna or transmitter except as authorized in the certification of the product.
- ⚠ The gain of the system antenna(s) used for C030-N211 application boards (i.e. the combined transmission line, connector, cable losses and radiating element gain) must not exceed 9.2 dBi (in the 800 MHz band, i.e. LTE band 20) and 9.4 dBi (in the 900 MHz band, i.e. LTE band 8) for mobile and fixed or mobile operating configurations.

# Appendix

## A Glossary


Abbreviation	Definition
Arm	Arm (Advanced RISC Machines) Holdings
CE	Certification Mark for EHS compliance in the European Economic Area
CTS	Clear To Send
eUICC	embedded SIM
FDD	Frequency Division Duplex
GLONASS	Global Navigation Satellite System
GND	Ground
GNSS	Generic Navy Simulation System
GPIO	General Purpose Input Output
GSM	Global System for Mobile Communication
HSPA	High Speed Packet Access
I2C	Inter-Integrated Circuit
IMSI	International Mobile Station Identity
IoT	Internet of Things
LCC	Leadless Chip Carrier
LTE	Long Term Evolution
PCB	Printed Circuit Board
PIN	Personal Identification Number
PWM	Pulse Width Modulation
RAM	Random Access Memory
RTS	Request To Send
SCL	Serial Clock
SDA	Serial Data
SIM	Subscriber Identification Module
SiP	System in Package
SPI	Serial Peripheral Interface
UART	Universal Asynchronous Receiver-Transmitter
USB	Universal Serial Bus

**Table 8: Explanation of the abbreviations and terms used**



## Related documentation

- [1] u-blox SARA-U2 series data sheet, [UBX-13005287](#)
- [2] u-blox SARA-N2 series data sheet, [UBX-15025564](#)
- [3] u-blox SARA-R4/SARA-N4 series data sheet, [UBX-16024152](#)
- [4] u-blox LARA-R3121 data sheet, [UBX-18007123](#)
- [5] u-blox nested design application note, [UBX-16007243](#)

 For regular updates to u-blox documentation and to receive product change notifications, register on our homepage ([www.u-blox.com](http://www.u-blox.com)).

## Revision history

Revision	Date	Name	Comments
R01	13-Jul-2017	euyg	Initial release.
R02	29-Nov-2017	euyg	Updated C030-N211 and C030-U201 product status
R03	07-Mar-2018	euyg	Updated C030-U201 product status. Added Approvals section
R04	23-Mar-2018	lpah	Updated C030-N211 product status.
R05	26-Oct-2018	lpah	Extended document applicability to C030-R410M / C030-R3121
R06	31-Jan-2021	alos	Updated C030-N211, C030-R410M, C030-R3121 product status

# Contact

For complete contact information, visit us at [www.u-blox.com](http://www.u-blox.com).

## u-blox Offices

### North, Central and South America

#### u-blox America, Inc.

Phone: +1 703 483 3180  
E-mail: [info\\_us@u-blox.com](mailto:info_us@u-blox.com)

#### Regional Office West Coast:

Phone: +1 408 573 3640  
E-mail: [info\\_us@u-blox.com](mailto:info_us@u-blox.com)

#### Technical Support:

Phone: +1 703 483 3185  
E-mail: [support@u-blox.com](mailto:support@u-blox.com)

### Headquarters

#### Europe, Middle East, Africa

#### u-blox AG

Phone: +41 44 722 74 44  
E-mail: [info@u-blox.com](mailto:info@u-blox.com)  
Support: [support@u-blox.com](mailto:support@u-blox.com)

### Asia, Australia, Pacific

#### u-blox Singapore Pte. Ltd.

Phone: +65 6734 3811  
E-mail: [info\\_ap@u-blox.com](mailto:info_ap@u-blox.com)  
Support: [support\\_ap@u-blox.com](mailto:support_ap@u-blox.com)

#### Regional Office Australia:

Phone: +61 3 9566 7255  
E-mail: [info\\_anz@u-blox.com](mailto:info_anz@u-blox.com)  
Support: [support\\_ap@u-blox.com](mailto:support_ap@u-blox.com)

#### Regional Office China (Beijing):

Phone: +86 10 68 133 545  
E-mail: [info\\_cn@u-blox.com](mailto:info_cn@u-blox.com)  
Support: [support\\_cn@u-blox.com](mailto:support_cn@u-blox.com)

#### Regional Office China (Chongqing):

Phone: +86 23 6815 1588  
E-mail: [info\\_cn@u-blox.com](mailto:info_cn@u-blox.com)  
Support: [support\\_cn@u-blox.com](mailto:support_cn@u-blox.com)

#### Regional Office China (Shanghai):

Phone: +86 21 6090 4832  
E-mail: [info\\_cn@u-blox.com](mailto:info_cn@u-blox.com)  
Support: [support\\_cn@u-blox.com](mailto:support_cn@u-blox.com)

#### Regional Office China (Shenzhen):

Phone: +86 755 8627 1083  
E-mail: [info\\_cn@u-blox.com](mailto:info_cn@u-blox.com)  
Support: [support\\_cn@u-blox.com](mailto:support_cn@u-blox.com)

#### Regional Office India:

Phone: +91 80 405 092 00  
E-mail: [info\\_in@u-blox.com](mailto:info_in@u-blox.com)  
Support: [support\\_in@u-blox.com](mailto:support_in@u-blox.com)

#### Regional Office Japan (Osaka):

Phone: +81 6 6941 3660  
E-mail: [info\\_jp@u-blox.com](mailto:info_jp@u-blox.com)  
Support: [support\\_jp@u-blox.com](mailto:support_jp@u-blox.com)

#### Regional Office Japan (Tokyo):

Phone: +81 3 5775 3850  
E-mail: [info\\_jp@u-blox.com](mailto:info_jp@u-blox.com)  
Support: [support\\_jp@u-blox.com](mailto:support_jp@u-blox.com)

#### Regional Office Korea:

Phone: +82 2 542 0861  
E-mail: [info\\_kr@u-blox.com](mailto:info_kr@u-blox.com)  
Support: [support\\_kr@u-blox.com](mailto:support_kr@u-blox.com)

#### Regional Office Taiwan:

Phone: +886 2 2657 1090  
E-mail: [info\\_tw@u-blox.com](mailto:info_tw@u-blox.com)  
Support: [support\\_tw@u-blox.com](mailto:support_tw@u-blox.com)