

# CGA4F3X7S2A224M085AE

TDK Item Description : CGA4F3X7S2A224MT\*\*\*S



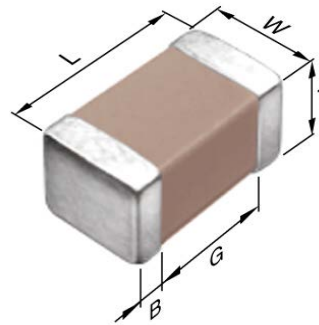
Equivalent C2012X7S2A224M for Automotive

## Application & Main Feature

Automotive Grade ( Soft Termination )

## Series

CGA4(2012) [EIA CC0805]



## Dimensions

L	2.00mm +0.45,-0.2mm
W	1.25mm +0.25,-0.2mm
T	0.85mm +/-0.15mm
B	0.20mm Min.
G	0.50mm Min.

## Temperature Characteristic

X7S (-55 to 125 degC +/-22%)

## Rated Voltage

2A (100Vdc)

## Capacitance

220nF

## Capacitance Tolerance

M (+/-20%)

## Dissipation Factor

5% Max.

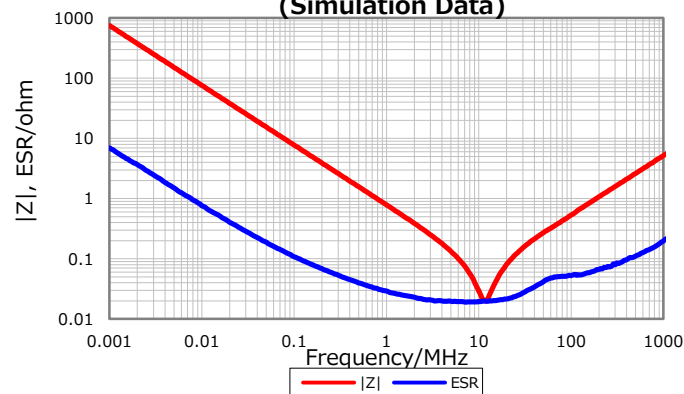
## Insulation Resistance

2.272Gohm Min

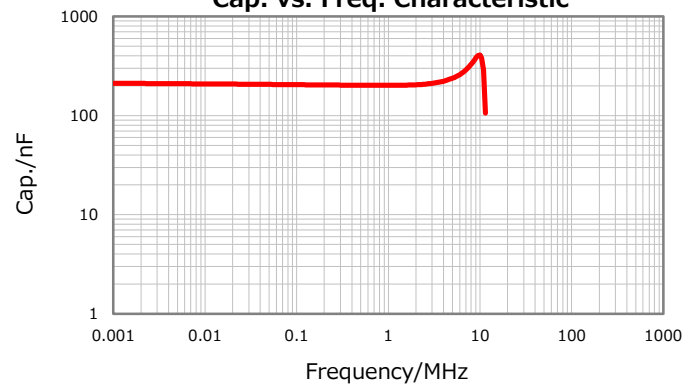
## AEC-Q200

Yes

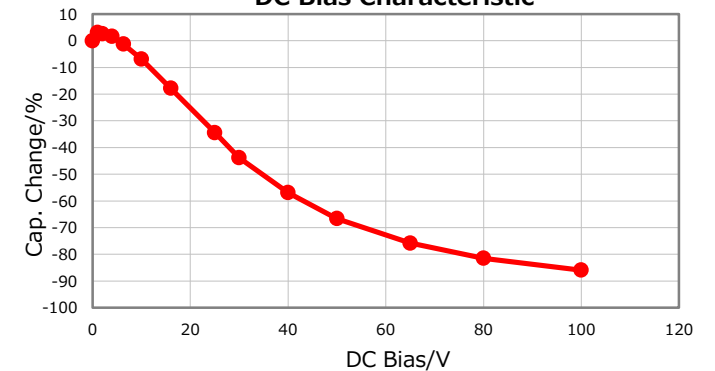
## |Z|, ESR vs. Freq. Characteristics (Simulation Data)



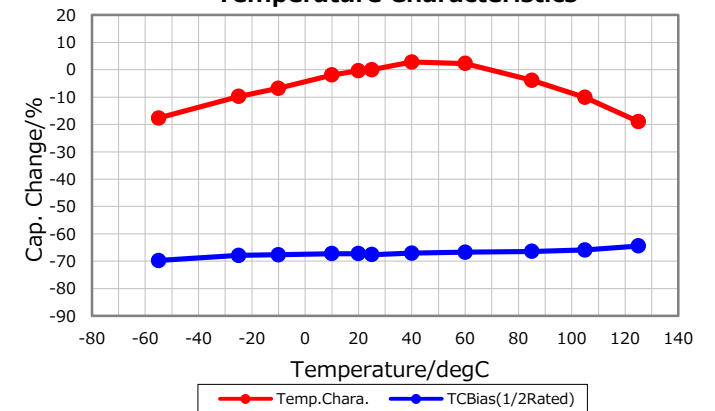
## Cap. vs. Freq. Characteristic



## DC Bias Characteristic



## Temperature Characteristics



## Ripple Temperature Rise Characteristics

