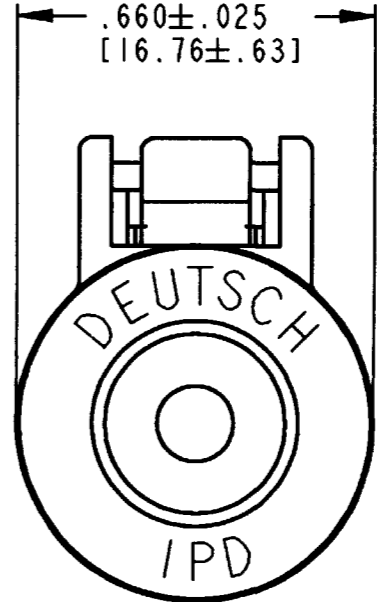
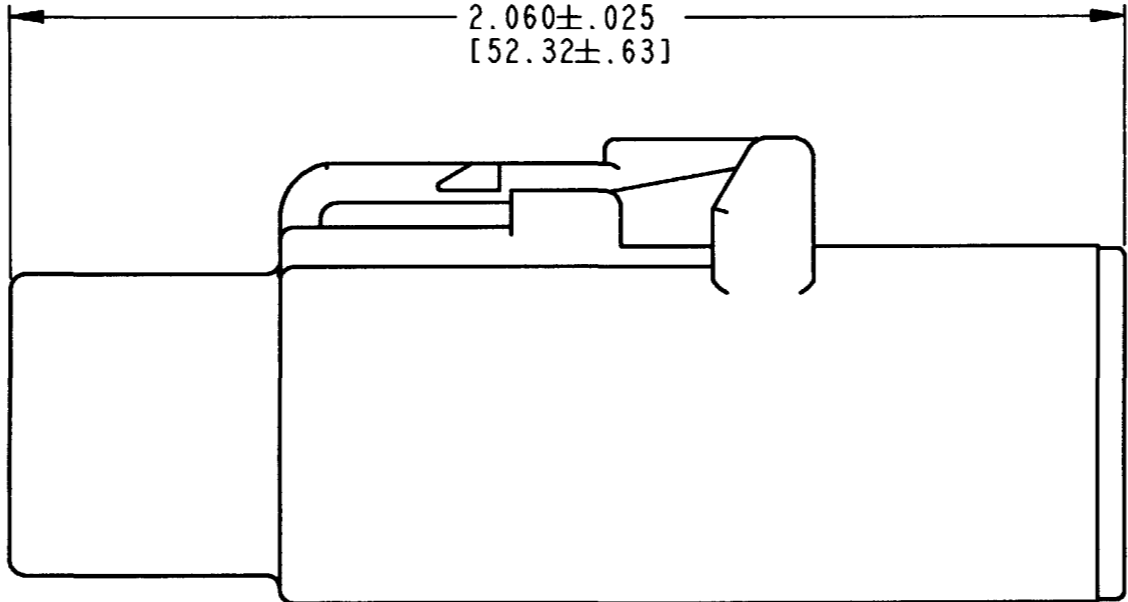
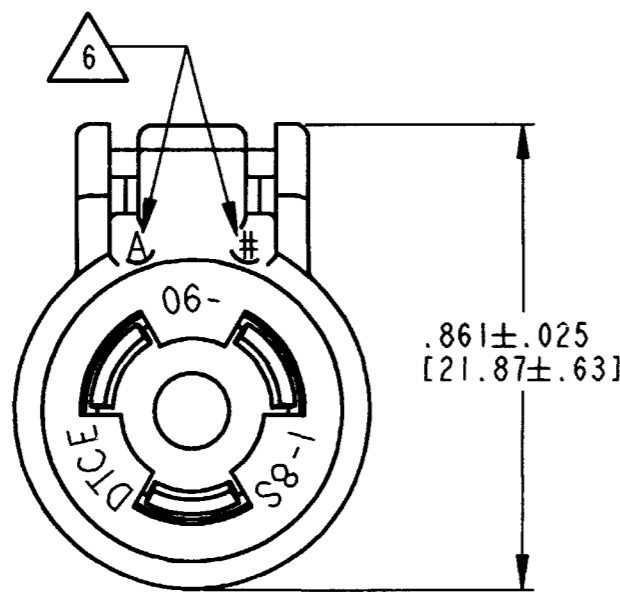


REV
B DTCE06-1-8S-E003

REVISIONS			
SYM	DESCRIPTION	DATE	APPROVED
NC	NEW RELEASE PER E.O. A14636	12/06/94	R.D.R.
A	REVISED PER E.O. A14893	09/28/95	R.D.R.
B	REVISED PER E.O. P16189	9-28-99	RDR



- 4. FOR CONTACT INFORMATION, SEE ENVELOPE DRAWING 4025-001-0000.
- 3. ALL DIMENSIONS ARE IN INCHES [MILLIMETERS].
- 2. THIS CONNECTOR SERIES WILL ACCOMMODATE THE FOLLOWING WIRE INSULATION DIAMETERS:

CONTACT SIZE	MINIMUM O.D.	MAXIMUM O.D.
8	.190 [4.83]	.240 [6.09]

1. CONSULT FACTORY FOR ELECTRICAL AND MATERIAL SPECIFICATIONS.
NOTES:

6. DATE CODE:
MONTH IS REPRESENTED BY SEQUENTIAL ALPHA CHARACTERS. EX: A = JANUARY.
YEAR IS REPRESENTED BY LAST NUMERIC DIGIT. EX: 2 = 2002.

5. THIS PLUG MATES WITH DTCE04-1-8P-**** RECEPTACLE
(**** = ALL MODIFICATIONS).

SIGNATURE & DATE	
DR	J. HAYNES 09/23/99
CHK	[Signature] 9/24/99
PE	[Signature] 9/24/99
APPD	R. Reed 9-28-99
SCALE	NONE WT

PLUG
POWER DT
SIZE 8
CE CONTACTS
E003 MOD.
COLOR: BLACK
ENVELOPE

CP	MATL. CODE
The Deutsch Company DEUTSCH I.P.D. 3850 INDUSTRIAL AVE. HEMET, CALIF. 92545	
B DTCE06-1-8S-E003	
DWG SIZE	CODE 11139 SHEET OF