

MAX20028

Step-Down Controller with Dual 2.1 MHz Step-Down DC-DC Converters

General Description

The MAX20028 power-management integrated circuit (PMIC) is a 2.1MHz, multichannel, DC-DC converter designed for automotive applications. The device integrates three supplies in a small footprint. The device includes one high-voltage step-down controller (OUT1) designed to run directly from a car battery, and two low-voltage step-down converters (OUT2/OUT3) cascaded from OUT1. Under no-load conditions, the MAX20028 consumes only 30 μ A of quiescent current, making it ideal for automotive applications.

The high-voltage synchronous step-down DC-DC controller (OUT1) operates from a voltage up to 36V continuous and is protected from load-dump transients up to 42V. There is a pin-selectable frequency option of either 2.1MHz or a factory-set frequency for 1.05MHz, 525kHz, 420kHz, or 350kHz. The low-voltage, synchronous step-down DC-DC converters run directly from OUT1 and can supply output currents up to 3A.

The device provides a spread-spectrum enable input (SSEN) to provide quick improvement in electromagnetic interference when needed. There is also a SYNC I/O for providing either an input to synchronize to an external clock source or an output of the internally generated clock (see the [Selector Guide](#) for the different options available). The device includes overtemperature shutdown and over-current limiting. The device also includes individual $\overline{\text{RESET}}$ outputs and individual enable inputs. The individual $\overline{\text{RESET1}}$ outputs provide voltage monitoring for all output channels.

The MAX20028 is available in a 32-pin (5mm x 5mm x 0.75mm) side-wettable TQFN-EP package and is specified for operation over the -40°C to +125°C automotive temperature range.

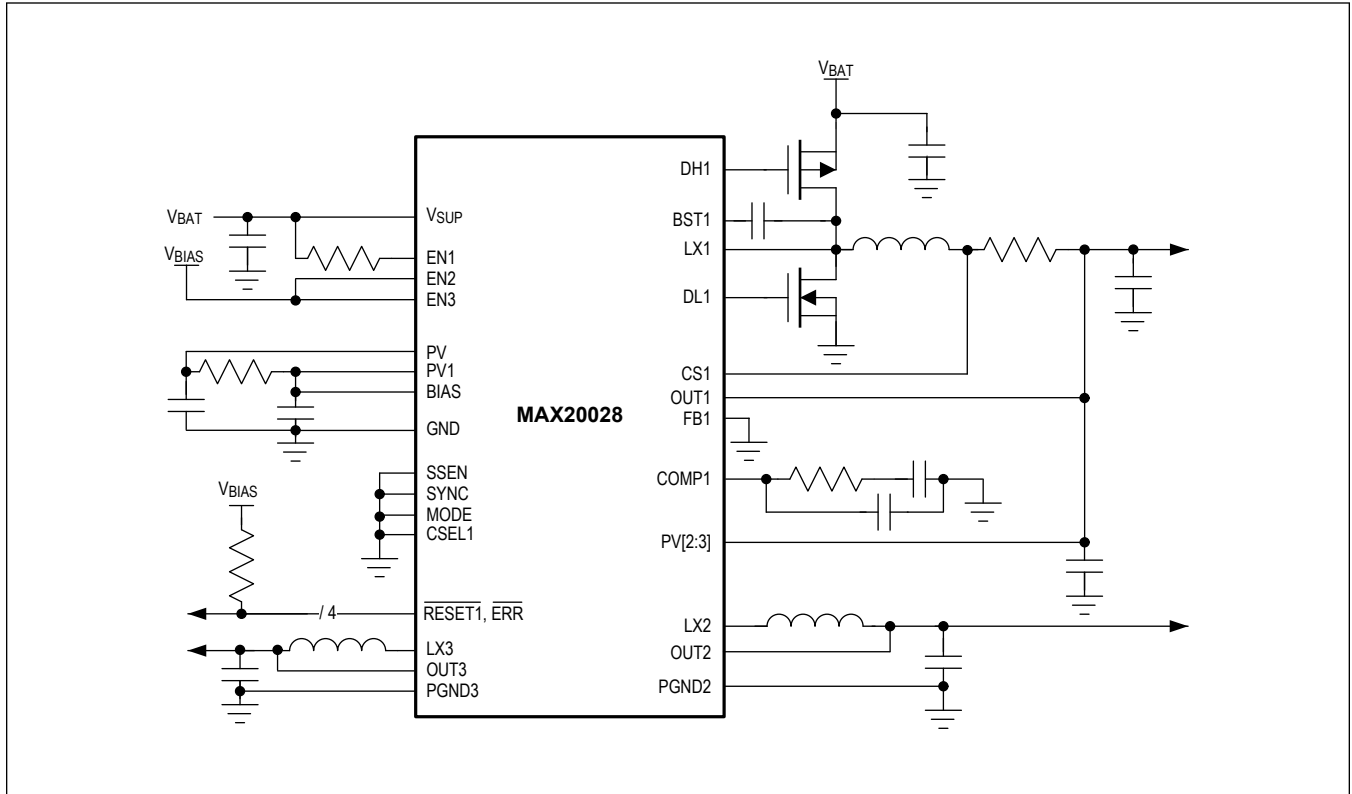
Applications

- Automotive
- Industrial
- ADAS

Benefits and Features

- High-Efficiency Voltage DC-DC Controller Saves Power
 - 3.5V to 36V Operating Supply Voltage
 - Output Voltage: Pin Selectable, Fixed, or Resistor-Divider Adjustable
 - 350kHz to 2.1MHz Operation
 - 30 μ A Quiescent Current with DC-DC Controller Enabled
- Dual 2.1MHz DC-DC Converters with Integrated FETs Saves Space
 - OUT2 and OUT3 Are Cascaded from OUT1, Improving Efficiency
 - 3A Output Current
 - 0.8V to 3.95V Output Voltage
 - 25% Lower C_{OUT2} and C_{OUT3} Compared to the MAX16993
 - Fixed or Resistor-Divider-Adjustable Output Voltage
 - 180° Out-of-Phase Operation
- High Accuracy to Meet ASIL Specification
 - $\pm 1\%$ FB Accuracy, $\pm 2\%$ Output-Voltage Accuracy, and $\pm 0.5\%$ OV/UV Accuracy
 - Excellent Load-Transient Performance
- Robust for the Automotive Environment
 - Current-Mode Architecture with Forced-PWM and Skip Modes of Operations
 - Frequency Synchronization Input/Output Reduces System Noise
 - Individual Enable Inputs and $\overline{\text{RESET1}}$ Outputs
 - Overtemperature and Short-Circuit Protection
 - AEQ-100 Qualified

Simplified Schematic



Absolute Maximum Ratings

V _{SUP} , EN1 to GND.....	-0.3V to +45V	FB1, EN2, EN3 to GND	-0.3V to +6.0V
PV to GND.....	-0.3V to +6.0V	RESET_, ERR to GND	-0.3V to +6.0V
PV1 to GND.....	-0.3V to +6.0V	CS1 to OUT1	-0.3V to +6.0V
PV2 to GND, PV2 to PGND2	-0.3V to +6.0V	CSEL1, SYNC, SSEN to GND.....	-0.3V to +6.0V
PV3 to GND, PV3 to PGND3	-0.3V to +6.0V	COMP1 to GND	-0.3V to PV + 0.3V
PGND2, PGND3 to GND.....	-0.3V to +0.3V	LX2, LX3 Output Short-Circuit Duration.....	Continuous
LX1 to GND	-6.0V to V _{SUP} + 6.0V	Continuous Power Dissipation (T _A = +70°C, TQFN derate 34.5mW/°C above +70°C.)	2758.6mW
BST1 to LX1	-0.3V to +6.0V	Operating Temperature Range	-40°C to +125°C
DH1 to LX1	-0.3V to PV1 + 0.3V	Storage Temperature Range	-65°C to +150°C
LX2 to PGND2.....	-0.3V to PV2 + 0.3V	Soldering Temperature (Reflow).....	+260°C
LX3 to PGND3.....	-0.3V to PV3 + 0.3V	Lead Temperature (Soldering, 10s).....	+300°C
OUT1 - OUT3, CS1 to GND	-0.3V to +6.0V		

Stresses beyond those listed under "Absolute Maximum Ratings" may cause permanent damage to the device. These are stress ratings only, and functional operation of the device at these or any other conditions beyond those indicated in the operational sections of the specifications is not implied. Exposure to absolute maximum rating conditions for extended periods may affect device reliability.

Package Information

32 TQFN-EP

Package Code	T3255Y+4C
Outline Number	21-100214
Land Pattern Number	90-100082
THERMAL RESISTANCE	
Junction to Ambient (θ _{JA})	29°C/W
Junction to Case (θ _{JC})	1.7°C/W

For the latest package outline information and land patterns (footprints), go to www.maximintegrated.com/packages. Note that a "+", "#", or "-" in the package code indicates RoHS status only. Package drawings may show a different suffix character, but the drawing pertains to the package regardless of RoHS status.

Package thermal resistances were obtained using the method described in JEDEC specification JESD51-7, using a four-layer board. For detailed information on package thermal considerations, refer to www.maximintegrated.com/thermal-tutorial.

Electrical Characteristics

(V_{SUP} = 14V, V_{PV} = V_{PV1} = V_{BIAS}, V_{PV2} = V_{PV3} = V_{OUT1}, T_A = T_J = -40°C to +125°C, unless otherwise noted. Typical values are at T_A = +25°C under normal conditions, unless otherwise noted. (Note 1))

PARAMETER	SYMBOL	CONDITIONS	MIN	TYP	MAX	UNITS
Supply Voltage Startup Threshold	V _{SUP} , STARTUP	V _{SUP} rising, MAX20028ATJ_	4.25	4.5	4.75	V
		V _{SUP} rising, MAX20028BATJ_	3.9	4.1	4.3	
Supply Voltage Range	V _{SUP}	Normal operation, after Buck 1 startup	3.5		36	V
Supply Current	I _{SUP}	V _{EN1} = V _{EN2} = V _{EN3} = 0V		4	15	µA
		V _{EN1} = 5V, V _{EN2} = V _{EN3} = 0V (no load)		26	60	
Oscillator Frequency	f _{SW}		2.0	2.1	2.2	MHz
SYNC Input Frequency Range			1.7		2.4	MHz
BIAS Regulator Voltage	V _{BIAS}	6V ≤ V _{SUP} ≤ 42V, no switchover	4.5	5.0	5.5	V

Electrical Characteristics (continued)

($V_{SUP} = 14V$, $V_{PV} = V_{PV1} = V_{BIAS}$, $V_{PV2} = V_{PV3} = V_{OUT1}$, $T_A = T_J = -40^{\circ}C$ to $+125^{\circ}C$, unless otherwise noted. Typical values are at $T_A = +25^{\circ}C$ under normal conditions, unless otherwise noted. (Note 1))

PARAMETER	SYMBOL	CONDITIONS		MIN	TYP	MAX	UNITS
PV_ Power-On Reset		V _{BIAS} falling, MAX20028ATJ_		2.5	2.7	2.9	V
		Hysteresis, MAX20028ATJ_			0.45		
PV_ Power-On Reset		V _{BIAS} falling, MAX20028BATJ_		2.5	2.7	2.95	V
		Hysteresis, MAX20028BATJ_			0.55		
OUT1: HIGH-VOLTAGE SYNCHRONOUS STEP-DOWN DC-DC CONTROLLER							
OUT1 Switching Frequency	f _{SW1}	Internally generated (see the Selector Guide)	V _{CSEL1} = V _{GND}		2100		kHz
			V _{CSEL1} = V _{BIAS} (factory option)		1050		
			V _{CSEL1} = V _{BIAS} (factory option)		525		
			V _{CSEL1} = V _{BIAS} (factory option)		420		
			V _{CSEL1} = V _{BIAS} (factory option)		350		
Voltage	V _{OUT1}	Fixed option (see the Selector Guide)	V _{FB1} = V _{BIAS} (factory option)	4.9	5.0	5.1	V
			V _{FB1} = V _{GND} (factory option)	3.25	3.3	3.35	
FB1 Regulation Voltage		Adjustable option (see the Selector Guide)		0.985	1	1.015	V
Error-Amplifier Transconductance	g _{MEA}			300	700	1200	μS
Voltage Accuracy	V _{OUT1}	5.5V ≤ V _{SUP} ≤ 18V, 0 < V _{LIM1} < 75mV	PWM mode	-2.0		+2.0	%
DC Load Regulation		PWM mode			0.02		%/A
DC Line Regulation		PWM mode			0.03		%/V
OUT1 Discharge Resistance		V _{EN1} = V _{GND} or V _{SUP}			100	200	Ω
High-Side Output-Drive Resistance		V _{DH1} rising, I _{DH1} = 100mA			2	4	Ω
		V _{DH1} falling, I _{DH1} = 100mA			1	4	
Low-Side Output- Drive Resistance		V _{DL1} rising, I _{DL1} = 100mA			2.5	5	Ω
		V _{DL1} falling, I _{DL1} = 100mA			1.5	3	
Output Current-Limit Threshold	V _{LIM1}	CS1 - OUT1		100	120	150	mV
Skip-Current Threshold	I _{SKIP}	CS1 - OUT1, no load		10	35	60	mV
Soft-Start Ramp Time					4		ms
LX_ Leakage Current		V _{LX1} = V _{SUP} , T _A = +25°C			0.01		μA
Maximum Duty Cycle		PWM mode			97.2		%
Minimum On-Time					30		ns
OUT2 AND OUT3: LOW-VOLTAGE SYNCHRONOUS STEP-DOWN DC-DC CONVERTERS							
Supply Voltage Range	V _{SUP}			2.7		5.5	V

Electrical Characteristics (continued)

($V_{SUP} = 14V$, $V_{PV} = V_{PV1} = V_{BIAS}$, $V_{PV2} = V_{PV3} = V_{OUT1}$, $T_A = T_J = -40^{\circ}C$ to $+125^{\circ}C$, unless otherwise noted. Typical values are at $T_A = +25^{\circ}C$ under normal conditions, unless otherwise noted. (Note 1))

PARAMETER	SYMBOL	CONDITIONS	MIN	TYP	MAX	UNITS
Supply Current	$I_{PV_}$	$V_{EN_} = 5V$, no load		0.1	5	μA
Skip-Mode Peak Current				$0.2 \times I_{LMAX}$		mA
Voltage Accuracy	V_{OUT}	PWM mode, $0A \leq I_{LOAD} \leq I_{LMAX}$. Including line and load regulation	-1.8		+1.8	%
Feedback Voltage		Adjustable mode, $I_{OUT_} = 0mA$	0.790	0.802	0.814	V
LX_ On-Resistance High		$I_{LX_} = -800mA$		70	110	m Ω
LX_ On-Resistance Low		$I_{LX_} = 800mA$		50	90	m Ω
Current-Limit Threshold	I_{LMAX}	Option 1 (3.0A DC)	5.0	5.6		A
		Option 2 (1.5A DC)	2.5	3.0		
LX_ Rise/Fall Time		$PV_2 = PV_3 = 3.3V$, $I_{OUT_} = 2A$		4		ns
Soft-Start Ramp Time				2.5		ms
LX_ Leakage Current		$T_A = +25^{\circ}C$		0.01		μA
Duty-Cycle Range		PWM mode	15		100	%
LX_ Discharge Resistance				22	48	Ω
RESET OUTPUTS ($\overline{RESET1} - \overline{RESET3}$)						
OV_ Threshold		Rising (external feedback divider)	105.7	107	108.3	%
		Rising (internal feedback divider)	106.2	107	108	
UV_ Threshold		Falling (relative to nominal output voltage) (internal feedback divider)	94.5	95.5	96.6	%
		Falling (relative to nominal output voltage) (external feedback divider)	94.2	95.5	96.9	
UV_ Hysteresis				2.5		%
OUT1 Active Timeout Period		See the Selector Guide (16,384 clocks)		7.8		ms
		See the Selector Guide (8192 clocks)		3.9		
		See the Selector Guide (4096 clocks)		1.9		
		See the Selector Guide (256 clocks)		0.1		
OUT2, OUT3 Active Timeout Period		See the Selector Guide (16,384 clocks)		7.8		ms
		See the Selector Guide (8192 clocks)		3.9		
		See the Selector Guide (4096 clocks)		1.9		
		See the Selector Guide (256 clocks)		0.1		
Output Low Level		$I_{SINK} = 3mA$		0.1	0.2	V
Propagation Time		$OUT_1 - OUT_3$, 5% below threshold	4			μs
ERROR STATUS OUTPUT (ERR)						
Output Low Level		$I_{SINK} = 3mA$		0.1	0.2	V
THERMAL OVERLOAD						
Thermal-Warning Temperature				+150		$^{\circ}C$

Electrical Characteristics (continued)

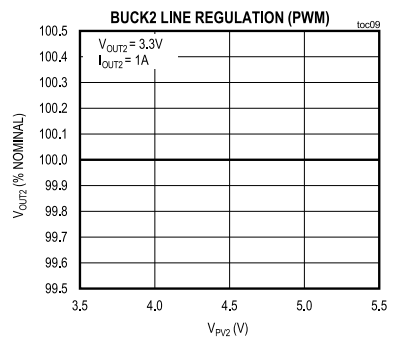
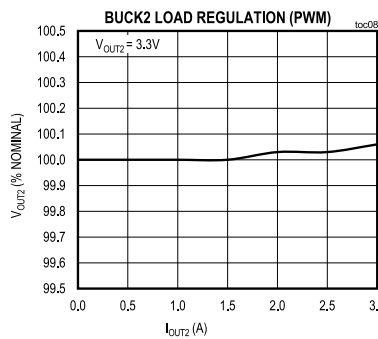
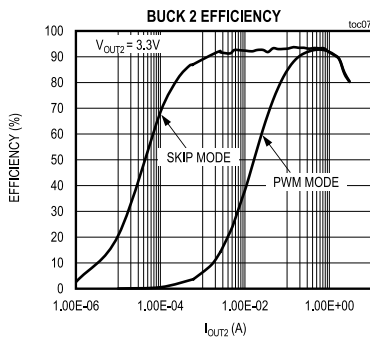
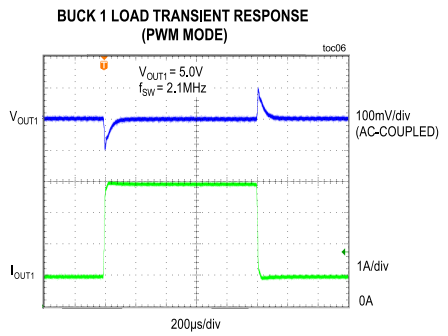
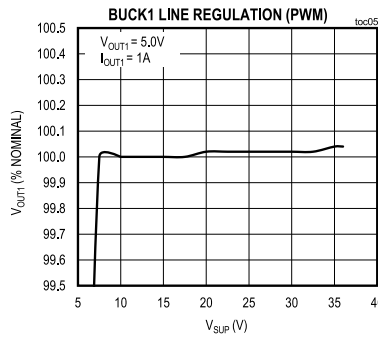
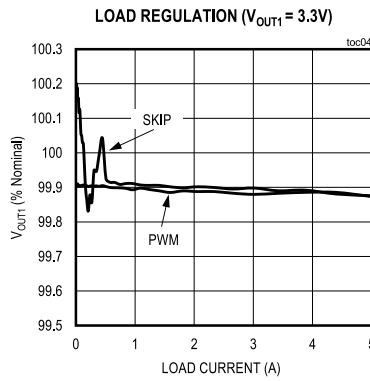
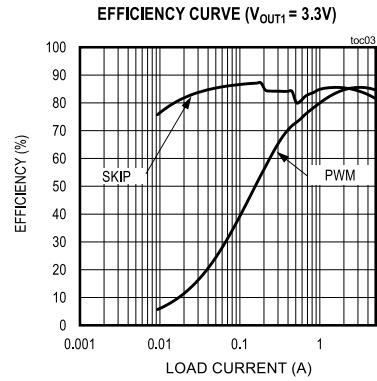
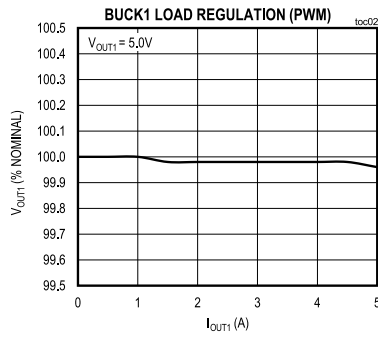
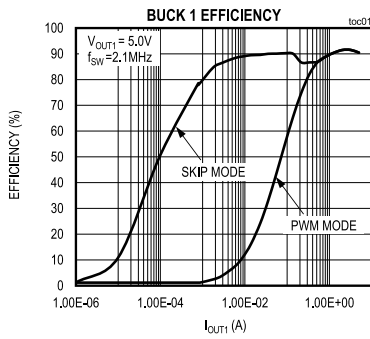
($V_{SUP} = 14V$, $V_{PV} = V_{PV1} = V_{BIAS}$, $V_{PV2} = V_{PV3} = V_{OUT1}$, $T_A = T_J = -40^{\circ}C$ to $+125^{\circ}C$, unless otherwise noted. Typical values are at $T_A = +25^{\circ}C$ under normal conditions, unless otherwise noted. (Note 1))

PARAMETER	SYMBOL	CONDITIONS	MIN	TYP	MAX	UNITS
Thermal-Shutdown Temperature				+170		$^{\circ}C$
Thermal-Shutdown Hysteresis				15		$^{\circ}C$
ENABLE INPUTS (EN1–EN3)						
Input High		V_{EN_rising}	1.6	1.8	2.0	V
Hysteresis				0.2		V
EN_ Input Current		$V_{EN_} = 5V$	0.5	1.0	2.0	μA
SYNCHRONIZATION I/O (SYNC)						
Input High		SYNC input option (see the Selector Guide)		1.8		V
Input Low		SYNC input option (see the Selector Guide)		0.8		V
Input Current		SYNC input option (see the Selector Guide); $V_{SYNC} = 5V$		50	80	μA
Output High Level		SYNC output option (see the Selector Guide); $V_{PV} = 5V$, $I_{SINK} = 1mA$	4.9	4.98		V
Output Low Level		SYNC output option (see the Selector Guide), $I_{SINK} = 1mA$		0.02	0.1	V
Pulldown Resistance				100		$k\Omega$
LOGIC INPUT (CSEL1)						
Input High				1.4		V
Input Low				0.5		V
Input Current		$T_A = +25^{\circ}C$		2		μA

Note 1: All units are 100% production tested at $T_A = +25^{\circ}C$. All temperature limits are guaranteed by design.

Typical Operating Characteristics

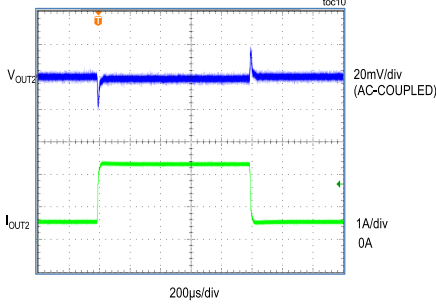
($V_{SUP} = 14V$, $T_A = +25^\circ C$, unless otherwise noted)



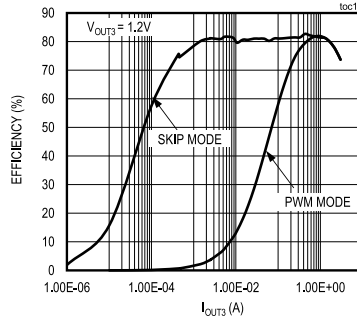
Typical Operating Characteristics (continued)

($V_{SUP} = 14V$, $T_A = +25^\circ C$, unless otherwise noted)

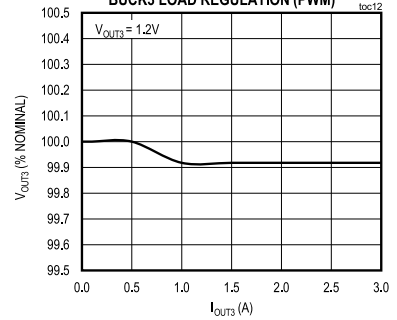
BUCK 2 LOAD TRANSIENT RESPONSE (PWM MODE) toc10



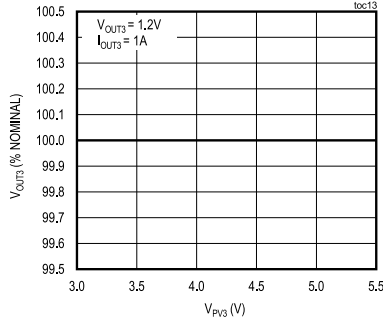
BUCK 3 EFFICIENCY toc11



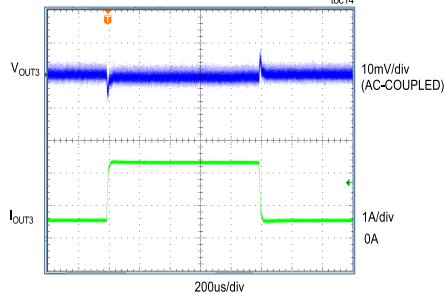
BUCK3 LOAD REGULATION (PWM) toc12



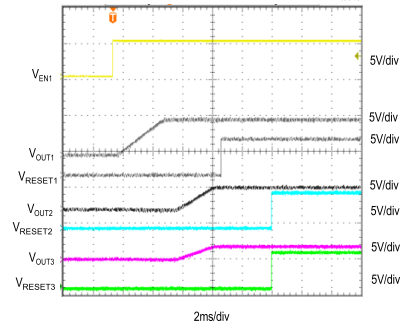
BUCK3 LINE REGULATION (PWM) toc13



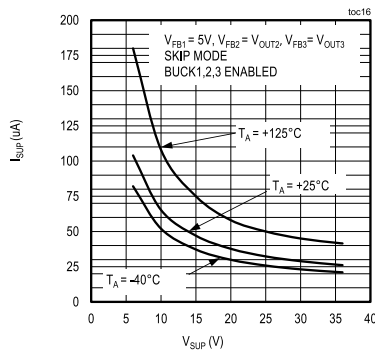
BUCK 3 LOAD TRANSIENT RESPONSE (PWM MODE) toc14



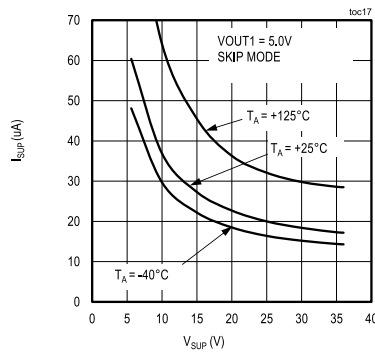
STARTUP SEQUENCE (V_EN2 = V_EN3 = V_OUT1) toc15



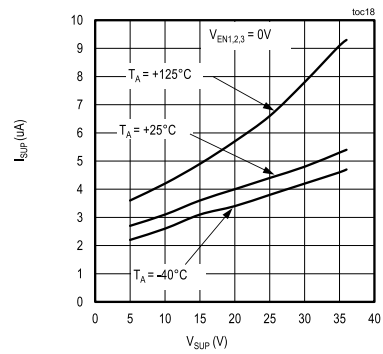
SUPPLY CURRENT vs. SUPPLY VOLTAGE toc16



SUPPLY CURRENT vs. SUPPLY VOLTAGE toc17

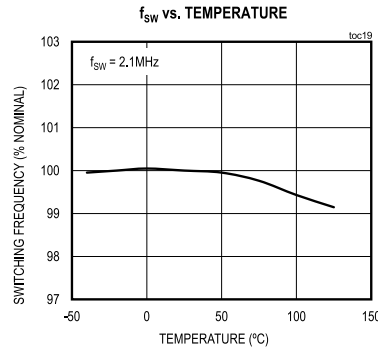


SHUTDOWN CURRENT vs. SUPPLY VOLTAGE toc18

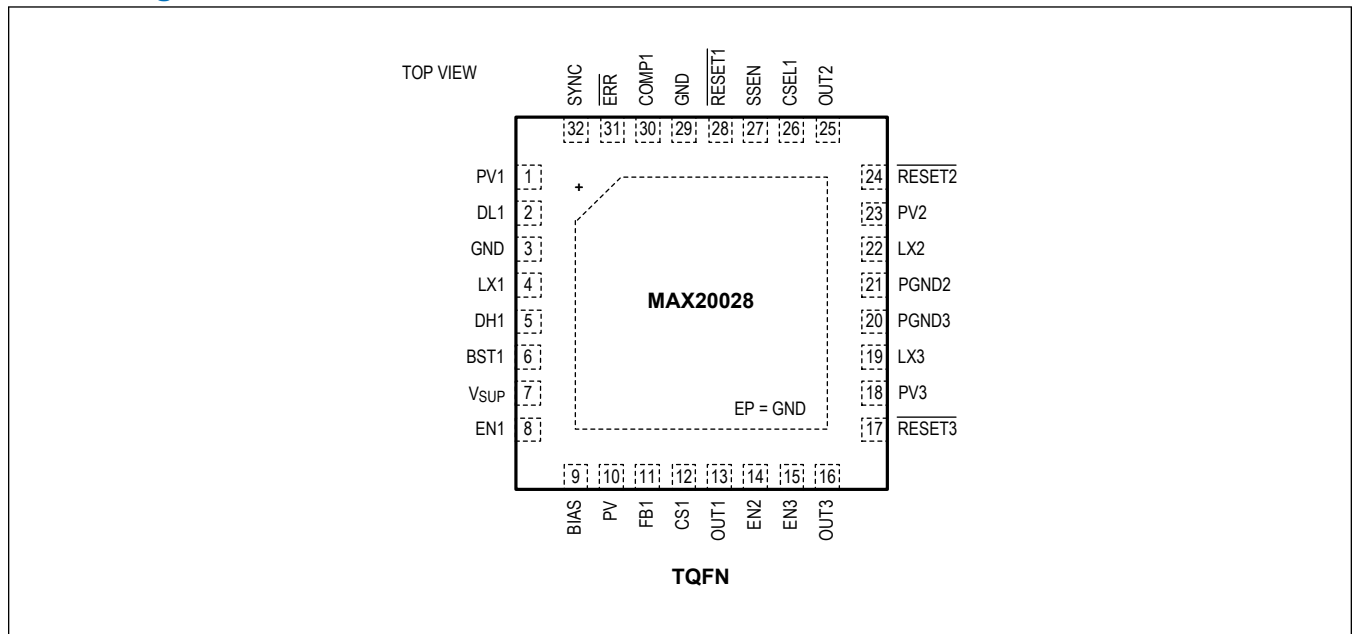


Typical Operating Characteristics (continued)

(V_{SUP} = 14V, T_A = +25°C, unless otherwise noted)



Pin Configuration



Pin Description

PIN	NAME	FUNCTION
1	PV1	Supply Input for Buck 1 Low-Side Gate Drive. Connect a ceramic bypass capacitor of at least 0.1µF from PV1 to GND.
2	DL1	Low-Side Gate-Drive Output for Buck 1. DL1 output voltage swings from V _{GND} to V _{PV1} .
3	GND	Power Ground for Buck 1
4	LX1	Inductor Connection for Buck 1. Connect LX1 to the switched side of the inductor. LX1 serves as the lower supply rail for the DH1 high-side gate drive.
5	DH1	High-Side Gate-Drive Output for Buck 1. DH1 output voltage swings from V _{LX1} to V _{BST1} .

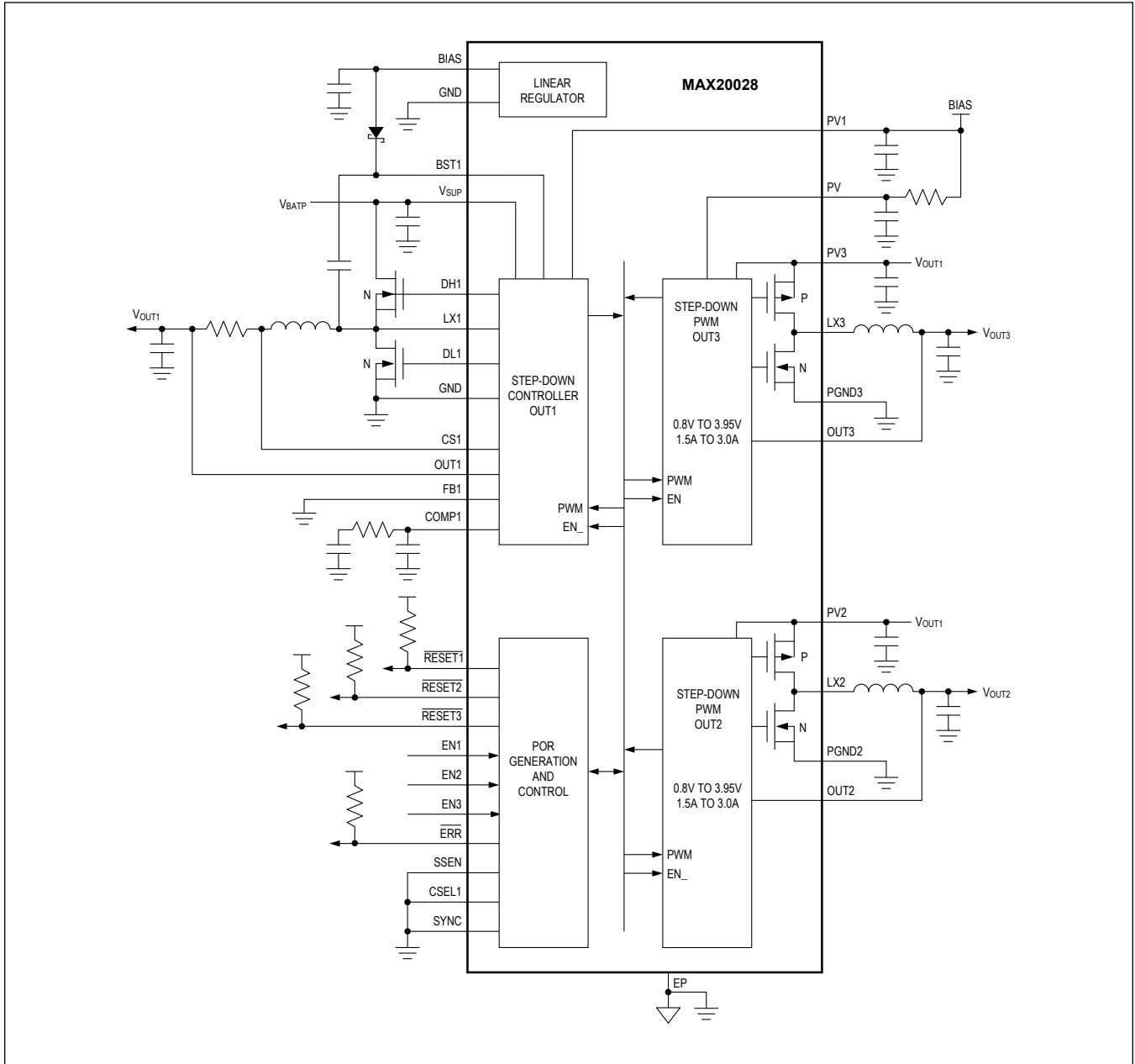
Pin Description (continued)

PIN	NAME	FUNCTION
6	BST1	Bootstrap Capacitor Connection for High-Side Gate Drive of Buck 1. Connect a high-voltage diode between BIAS and BST1. Connect a ceramic capacitor between BST1 and LX1. See the <i>High-Side Gate-Drive Supply (BST1)</i> section.
7	V _{SUP}	Supply Input. Bypass V _{SUP} with a minimum 0.1μF capacitor as close as possible to the device.
8	EN1	High-Voltage Tolerant, Active-High Digital Enable Input for Buck 1. Driving EN1 high enables Buck 1.
9	BIAS	5V Internal Linear Regulator Output. Bypass BIAS to GND with a low-ESR ceramic capacitor of 2.2μF minimum value. BIAS provides the power to the internal circuitry. See the <i>Linear Regulator (BIAS)</i> section.
10	PV	Analog Supply. Connect PV to BIAS through a 10Ω resistor and connect a 1μF ceramic capacitor from PV to ground.
11	FB1	Feedback Input for Buck 1. For the fixed output-voltage option, connect FB1 to BIAS for the factory-trimmed (3.0V to 3.75V or 4.6V to 5.35V) fixed output. Connect FB1 to GND for the 3.3V fixed output. For the resistor-divider-adjustable output-voltage option, connect FB1 to a resistive divider between OUT1 and GND to adjust the output voltage between 3.0V and 5.5V. In adjustable mode, FB1 regulates to 1.0V (typ). See the <i>OUT1 Adjustable Output-Voltage Option</i> section.
12	CS1	Positive Current-Sense Input for Buck 1. Connect CS1 to the positive terminal of the current-sense resistor. See the <i>Current-Limit/Short-Circuit Protection and Current-Sense Measurement</i> sections.
13	OUT1	Output Sense and Negative Current-Sense Input for Buck 1. The buck uses OUT1 to sense the output voltage. Connect OUT1 to the negative terminal of the current-sense resistor. See the <i>Current-Limit/Short-Circuit Protection and Current-Sense Measurement</i> sections.
14	EN2	Active-High Digital Enable Input for Buck 2. Driving EN2 high enables Buck 2.
15	EN3	Active-High Digital Enable Input for Buck 3. Driving EN3 high enables Buck 3.
16	OUT3	Buck Converter 3 Voltage-Sense Input. Connect OUT3 to the output of Buck 3. Connect OUT3 to an external feedback divider when setting DC-DC3 voltage externally. See the <i>OUT2/OUT3 Adjustable Output-Voltage Option</i> section.
17	$\overline{\text{RESET3}}$	Open-Drain Buck 3 Reset Output. $\overline{\text{RESET3}}$ remains low for a fixed time after the output of Buck 3 has reached its regulation level (see the <i>Selector Guide</i>). To obtain a logic signal, pull up $\overline{\text{RESET3}}$ with an external resistor connected to a positive voltage lower than 5V.
18	PV3	Buck 3 Voltage Input. Connect a 2.2μF or larger ceramic capacitor from PV3 to PGND3. Connect PV3 to OUT1.
19	LX3	Buck 3 Switching Node. LX3 is high impedance when the device is off.
20	PGND3	Power Ground for Buck 3
21	PGND2	Power Ground for Buck 2
22	LX2	Buck 2 Switching Node. LX2 is high impedance when the device is off.
23	PV2	Buck 2 Voltage Input. Connect a 2.2μF or larger ceramic capacitor from PV2 to PGND2. Connect PV2 to OUT1.
24	$\overline{\text{RESET2}}$	Open-Drain Buck 2 Reset Output. $\overline{\text{RESET2}}$ remains low for a fixed time after the output of Buck 2 has reached its regulation level (see the <i>Selector Guide</i>). To obtain a logic signal, pull up $\overline{\text{RESET2}}$ with an external resistor connected to a positive voltage lower than 5V.
25	OUT2	Buck Converter 2 Voltage-Sense Input. Connect OUT2 to the output of Buck 2. Connect OUT2 to an external feedback divider when setting DC-DC2 voltage externally. See the <i>OUT2/OUT3 Adjustable Output-Voltage Option</i> section.
26	CSEL1	Buck 1 Clock Select. Connect CSEL1 to GND for 2.1MHz operation. Connect CSEL1 to BIAS for an OTP-programmable divide-down operation. See the <i>Selector Guide</i> for the f _{SW1} divide ratio.
27	SSEN	Spread-Spectrum Enable. Connect SSEN to GND for standard oscillator operation. Connect SSEN to BIAS to enable the spread-spectrum oscillator.

Pin Description (continued)

PIN	NAME	FUNCTION
28	$\overline{\text{RESET1}}$	Open-Drain Buck 1 Reset Output. $\overline{\text{RESET1}}$ remains low for a fixed time after the output of Buck 1 has reached its regulation level (see the <i>Selector Guide</i>). To obtain a logic signal, pull up $\overline{\text{RESET1}}$ with an external resistor connected to an appropriate voltage.
29	GND	Analog Ground
30	COMP1	Compensation for Buck 1. See the <i>Compensation Network</i> section.
31	ERR	Open-Drain Error-Status Output. ERR signals a thermal-warning/shutdown condition. To obtain a logic signal, pull up ERR with an external resistor connected to a positive voltage lower than 5V.
32	SYNC	Synchronization Input/Output. SYNC allows the device to synchronize to other supplies. Connect SYNC to GND or leave unconnected to enable skip-mode operation under light loads. Connect SYNC to BIAS or an external clock to enable fixed-frequency forced-PWM-mode operation. When configured as an output, SYNC outputs the internally generated 2.1MHz clock.
—	EP	Exposed Pad. Connect the exposed pad to ground. Connecting the exposed pad to ground does not remove the requirement for proper ground connections to PGND2–PGND3 and GND. The exposed pad is attached with epoxy to the substrate of the die, making it an excellent path to remove heat from the IC.

Typical Operating Circuit



Detailed Description

The MAX20028 PMIC is a 2.1MHz, multichannel, DC-DC converter designed for automotive applications. The device includes one high-voltage step-down controller (OUT1) designed to run directly from a car battery, and two low-voltage step-down converters (OUT2/OUT3) cascaded from OUT1.

The 2.1MHz, high-voltage buck controller operates with a 3.5V to 36V input voltage range and is protected from load-dump transients up to 42V. The high-frequency operation eliminates AM band interference and reduces the solution footprint. It can provide an output voltage between 3.0V and 5.5V set at the factory or with external resistors. The device has two pin-selectable frequency options, 2.1MHz or a lower frequency based on the factory setting. Available factory-set frequencies are 1.05MHz, 525kHz, 420kHz, or 350kHz. Under no-load conditions, the device consumes only 30 μ A of quiescent current with OUT1 enabled.

The dual buck converters can deliver 1.5A or 3.0A of load current per output. They operate directly from OUT1 and provide 0.8V to 3.95V output voltage range. Factory-trimmed output voltages achieve $\pm 1.8\%$ output voltage over load, line, and temperature without using expensive $\pm 0.1\%$ resistors. In addition, adjustable output-voltage versions can be set to any desired values between 0.8V and 3.6V using an external resistive divider. On-board low $R_{DS(ON)}$ switches help minimize efficiency losses at heavy loads and reduce critical/parasitic inductance, making the layout a much simpler task with respect to discrete solutions. Following a simple layout and footprint ensures first-pass success in new designs (see the [PCB Layout Guidelines](#) section).

The device features either a SYNC input or a SYNC output (see the [Synchronization Input/Output \(SYNC\)](#) section and the [Selector Guide](#)). Optional spread-spectrum frequency modulation minimizes radiated electromagnetic emissions due to the switching frequency; factory-programmable synchronization I/O (SYNC) allows better noise immunity. Additional features include 4ms fixed soft-start for OUT1 and 2.5ms for OUT2/OUT3, individual \overline{RESET}_n outputs, and overcurrent/overtemperature protections. See the [Selector Guide](#) for the available options.

Enable Inputs (EN1-EN3)

All three regulators have their own enable input. When EN1 exceeds the EN1 high threshold, the internal linear regulator is switched on. When V_{SUP} exceeds the $V_{SUP,STARTUP}$ threshold, Buck 1 is enabled and OUT1 starts to ramp up with a 4ms soft-start. Once the Buck 1 soft-start is complete, Buck 2 and Buck 3 can be enabled. When either Buck 2 or Buck 3 is enabled, the corresponding output ramps up with a 2.5ms soft-start. When an enable input is pulled low, the converter is switched off and the corresponding \overline{OUT}_n and \overline{RESET}_n are driven low. If EN1 is low, all regulators are disabled.

Reset Outputs (\overline{RESET}_1 - \overline{RESET}_3)

The device features individual open-drain \overline{RESET}_n outputs for each buck output that asserts when the buck output voltage drops 6% below the regulated voltage. \overline{RESET}_n remains asserted for a fixed timeout period after the buck output rises up to its regulated voltage. The fixed timeout period is programmable between 0.1ms and 7.4ms (see the [Selector Guide](#)). To obtain a logic signal, pull up \overline{RESET}_n with an external resistor connected to a positive voltage lower than 5V.

Linear Regulator (BIAS)

The device features a 5V internal linear regulator (BIAS). Connect BIAS to PV, which acts as a supply for internal circuitry. Also connect BIAS to PV1, which acts as a supply for the low-side gate driver of Buck 1. Bypass BIAS with a 2.2 μ F or larger ceramic capacitor as close as possible to the device. BIAS can provide up to 125mA (max), but is not designed to supply external loads.

After OUT1 completes soft-start, and depending on the OUT1 voltage setting, BIAS LDO can be turned off with the BIAS pin internally shorted to the OUT1 pin to power up internal circuits and provide gate drive for the Buck 1 low-side FET. This BIAS switchover is allowed for internally set OUT1 voltages above 4.2V (both in FPWM and skip modes of operation), and for internally set OUT1 voltages below 4.2V when in skip mode of operation. BIAS switchover is not allowed if external divider option is used for OUT1.

Internal Oscillator

Buck 1 Clock Select (CSEL1)

The device offers a Buck 1 clock-select input. Connect CSEL1 to GND for 2.1MHz operation. Connect CSEL1 to BIAS to divide down the Buck 1 clock frequency by 2, 4, 5, or 6 (see the [Selector Guide](#)). Buck 2 and Buck 3 switch at 2.1MHz (typ) and are not controlled by CSEL1.

Spread-Spectrum Enable (SSEN)

The device features a spread-spectrum enable (SSEN) input that can quickly enable spread-spectrum operation to reduce radiated emissions. Connect SSEN to BIAS to enable the spread-spectrum oscillator. Connect SSEN to GND for standard oscillator operation. When spread spectrum is enabled, the internal oscillator frequency is varied between f_{SW} and $(f_{SW} + 6\%)$. The change in frequency has a sawtooth shape and a frequency of 4kHz (see [Figure 1](#)). This function does not apply to externally applied oscillation frequency. See the [Selector Guide](#) for available options.

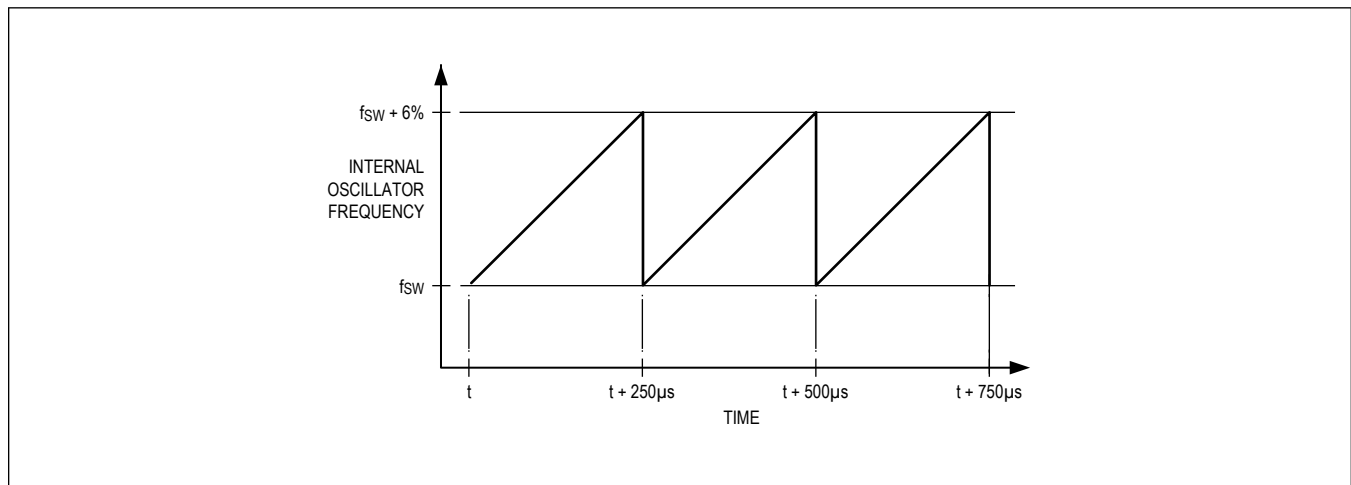


Figure 1. Effect of Spread Spectrum on Internal Oscillator

Synchronization Input/Output (SYNC)

SYNC is a factory-programmable I/O. See the [Selector Guide](#) for available options. When configured as an input, a logic-high on SYNC enables fixed-frequency, forced-PWM mode. Apply an external clock on the SYNC input to synchronize the internal oscillator to an external clock. The SYNC input accepts signal frequencies in the range of $1.7\text{MHz} < f_{SYNC} < 2.4\text{MHz}$. The external clock should have a duty cycle of 50%. A logic-low at the SYNC input enables the device to enter a low-power skip mode under light-load conditions. When configured as an output, SYNC outputs the internally generated 2.1MHz clock that switches from V_{PV} to V_{GND} . All converters operate in forced-PWM mode when SYNC is configured as an output.

Common Protection Features

Undervoltage Lockout

The device offers an undervoltage-lockout feature. Undervoltage detection is performed on the PV input. If V_{SUP} decreases to the point where Buck 1 is in dropout, PV begins to decrease. If PV falls below the UVLO threshold (2.7V, typ), all three converters switch off and the RESET_ outputs assert low. Once the device has been switched off, V_{SUP} must exceed the $V_{SUP,STARTUP}$ threshold before Buck 1 turns back on.

Output Overvoltage Protection

The device features overvoltage protection on the buck converter outputs. If the FB1 input exceeds the output overvoltage threshold, a discharge current is switched on at OUT1 and RESET1 asserts low.

Soft-Start

The device includes a 4ms fixed soft-start time on OUT1 and 2.5ms fixed soft-start time on OUT2/OUT3. Soft-start time limits startup inrush current by forcing the output voltage to ramp up towards its regulation point. If OUT1 is prebiased above 1.25V, all three buck converters do not start up until the prebias has been removed. Once the prebias has been removed, OUT1 self-discharges to GND and then goes into soft-start. For the MAX20028BATJ_ option, the prebias output protection has been disabled.

Thermal Warning and Overtemperature Protection

The device features an open-drain, thermal-warning indicator ($\overline{\text{ERR}}$). $\overline{\text{ERR}}$ asserts low when the junction temperature exceeds +145°C (typ). For a logic signal, connect a pullup resistor from $\overline{\text{ERR}}$ to a supply less than or equal to 5V. When the junction temperature exceeds +170°C (typ), an internal thermal sensor shuts down the buck converters, allowing the device to cool. The thermal sensor turns the device on again after the junction temperature cools by 30°C (typ).

Buck 1 (OUT1)

Buck controller 1 uses a PWM current-mode-control scheme. An internal transconductance amplifier establishes an integrated error voltage. The heart of the PWM controller is an open-loop comparator that compares the integrated voltage-feedback signal against the amplified current-sense signal plus the slope-compensation ramp, which are summed into the main PWM comparator to preserve inner-loop stability and eliminate inductor staircasing. At each rising edge of the internal clock, the high-side MOSFET turns on until the PWM comparator trips, or the maximum duty cycle is reached, or the peak current limit is reached. During this on-time, current ramps up through the inductor, storing energy in a magnetic field and sourcing current to the output. The current-mode feedback system regulates the peak inductor current as a function of the output voltage error signal. The circuit acts as a switch-mode transconductance amplifier and pushes the output LC filter pole normally found in a voltage-mode PWM to a higher frequency.

During the second half of the cycle, the high-side MOSFET turns off and the low-side MOSFET turns on. The inductor releases the stored energy as the current ramps down, providing current to the output. The output capacitor stores charge when the inductor current exceeds the required load current and discharges when the inductor current is lower, smoothing the voltage across the load. Under soft-overload conditions, when the peak inductor current exceeds the selected current limit (see the [Current-Limit/Short-Circuit Protection](#) section), the high-side MOSFET is turned off immediately and the low-side MOSFET is turned on and remains on to let the inductor current ramp down until the next clock cycle.

PWM/Skip Modes

The device features a synchronization input that puts all the buck regulators either in skip mode or forced-PWM mode of operation (see the [Synchronization Input/Output \(SYNC\)](#) section). In PWM mode of operation, the regulator switches at a constant frequency with variable on-time. In skip mode of operation, the regulator's switching frequency is load dependent until the output load reaches a certain threshold. At higher load current, the switching frequency does not change and the operating mode is similar to the PWM mode. Skip mode helps improve efficiency in light-load applications by allowing the regulator to turn on the high-side switch only when the output voltage falls below a set threshold. As such, the regulator does not switch MOSFETs on and off as often as is the case in PWM mode. Consequently, the gate charge and switching losses are much lower in skip mode.

Minimum On-Time and Duty Cycle

The high-side gate driver for Buck 1 has a minimum on-time of 30ns (typ). This helps ensure no skipped pulses when operating the device in PWM mode at 2.1MHz with supply voltage up to 36V and output voltage down to 3.3V (see the [Electrical Characteristics](#) table).

Current-Limit/Short-Circuit Protection

OUT1 offers a current-limit feature that protects Buck 1 against short-circuit and overload conditions on the buck controller. Buck 1 offers a current-limit sense input (CS1). Place a sense resistor in the path of the channel 1 current flow. Connect CS1 to the high side of the sense resistor and OUT1 to the low side of the sense resistor. Current-limit protection activates once the voltage across the sense resistor increases above the 120mV (typ) current-limit threshold. In the event of a short-circuit or overload condition, the high-side MOSFET remains on until the inductor current reaches the current-limit threshold. The converter then turns on the low-side MOSFET and the inductor current ramps down. The

converter allows the high-side MOSFET to turn on only when the voltage across the current-sense resistor ramps down to below 120mV (typ). This cycle repeats until the short or overload condition is removed.

Current-Sense Measurement

For the best current-sense accuracy and overcurrent protection, use a 1% tolerance current-sense resistor between the inductor and output, as shown in [Figure 2](#). This configuration constantly monitors the inductor current, allowing accurate current-limit protection. Use low-inductance current-sense resistors for accurate measurement.

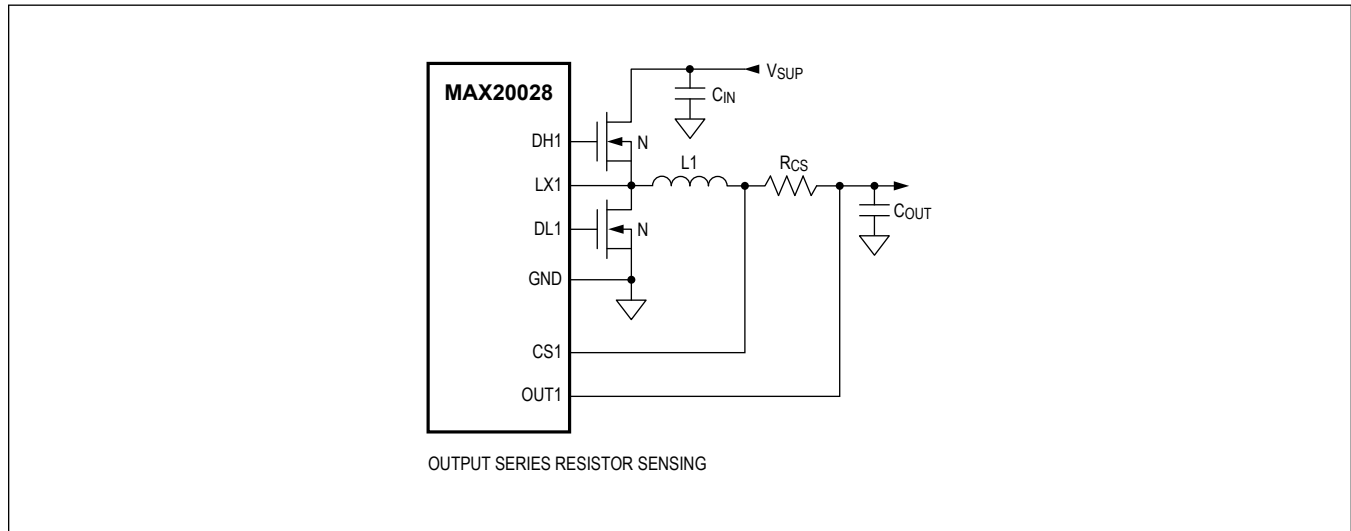


Figure 2. Current-Sense Configuration

High-Side Gate-Drive Supply (BST1)

The high-side MOSFET is turned on by closing an internal switch between BST1 and DH1 and transferring the bootstrap capacitor's charge (at BST1) to the gate of the high-side MOSFET. This charge refreshes when the high-side MOSFET turns off and the LX1 voltage drops down to ground potential, taking the negative terminal of the capacitor to the same potential. At this time, the bootstrap diode recharges the positive terminal of the bootstrap capacitor. The selected n-channel high-side MOSFET determines the appropriate boost capacitance values (CBST1 in the [Typical Operating Circuit](#)) according to the following equation:

$$C_{BST1} = \frac{Q_G}{\Delta V_{BST1}}$$

where Q_G is the total gate charge of the high-side MOSFET and ΔV_{BST1} is the voltage variation allowed on the high-side MOSFET driver after turn-on. Choose ΔV_{BST1} such that the available gate-drive voltage is not significantly degraded (e.g., $\Delta V_{BST1} = 100\text{mV}$ to 300mV) when determining $CBST1$. Use a Schottky diode when efficiency is most important, as this maximizes the gate-drive voltage. If the quiescent current at high temperature is important, a low-leakage switching diode should be used.

The boost capacitor should be a low-ESR ceramic capacitor. A minimum value of 100nF works in most cases. A minimum value of 470nF is recommended when using a Schottky diode.

Dropout

When OUT1 input voltage is lower than the desired output voltage, the converter is in dropout mode. Buck 1 continuously draws current from the bootstrap capacitor when the high-side switch is on. Therefore, the bootstrap capacitor needs to be refreshed periodically. When in dropout, the Buck 1 high-side gate drive shuts off every $8\mu\text{s}$, at which point the low-side gate drive turns on for 120ns.

Buck 2 and Buck 3 (OUT2 and OUT3)

Buck converters 2 and 3 are high-efficiency, low-voltage converters with integrated FETs. They use a PWM current-mode-control scheme operated at 2.1MHz to optimize component size and efficiency, while eliminating AM band interference. The buck converters can be configured to deliver 1.5A or 3.0A per channel. They operate directly from OUT1 and have either fixed or resistor-programmable output voltages that range from 0.8V to 3.95V (see the [Selector Guide](#)). Buck 2 and Buck 3 feature low on-resistance internal FETs that contribute to high efficiency and smaller system cost and board space. Integration of the p-channel high-side FET enables both channels to operate with 100% duty cycle when the input voltage falls to near the output voltage. They feature a programmable active timeout period (see the [Selector Guide](#)) that adds a fixed delay before the corresponding RESET_n can go high.

FPWM/Skip Modes

The device features a synchronization input (SYNC) that puts the converter either in skip mode or forced-PWM (FPWM) mode of operation. See the [Internal Oscillator](#) section. In FPWM mode, the converter switches at a constant frequency with variable on-time. In skip mode, the converter's switching frequency is load-dependent until the output load reaches a certain threshold. At higher load current, the switching frequency does not change and the operating mode is similar to the FPWM mode.

Skip mode helps improve efficiency in light-load applications by allowing the converters to turn on the high-side switch only when the output voltage falls below a set threshold. As such, the converter does not switch MOSFETs on and off, as often is the case in FPWM mode. Consequently, the gate charge and switching losses are much lower in skip mode.

Current-Limit/Short-Circuit Protection

Buck converters 2 and 3 feature current-limit protection that protects the device against short-circuit and overload conditions at their outputs. The current-limit value is dependent on the version selected, 1.5A or 3.0A (max) DC current. See the [Selector Guide](#) for the current-limit value of the chosen option and the [Electrical Characteristics](#) table for the corresponding current limit. In the event of a short-circuit or overload condition at an output, the high-side MOSFET remains on until the inductor current reaches the high-side MOSFET's current-limit threshold. The converter then turns on the low-side MOSFET and the inductor current ramps down.

The converter allows the low-side MOSFET to turn off only when the inductor current ramps down to the low-side MOSFET's current threshold. This cycle repeats until the short or overload condition is removed.

Selector Guide

OPTION	BUCK 1			BUCK 2			BUCK 3			SYNC
	FIXED OUTPUT VOLTAGE (V)	f _{sw1} DIVIDE RATIO FROM f _{sw}	ACTIVE TIMEOUT PERIOD (ms)	FIXED OUTPUT VOLTAGE (V)	MAX OUTPUT CURRENT (A)	ACTIVE TIMEOUT PERIOD (ms)	FIXED OUTPUT VOLTAGE (V)	MAX OUTPUT CURRENT (A)	ACTIVE TIMEOUT PERIOD (SAME AS BUCK 2) (ms)	
A	3.3/5	÷5	3.9	ADJ	3.0	3.9	ADJ	3.0	3.9	Input
B	3.3/5	÷5	3.9	ADJ	1.5	3.9	ADJ	1.5	3.9	Input
C	ADJ	÷5	3.9	ADJ	1.5	3.9	ADJ	1.50	3.9	Input

Applications Information

OUT1 Adjustable Output-Voltage Option

The device's adjustable output-voltage version (see the [Selector Guide](#) for details) allows the customer to set OUT1 voltage between 3.0V and 5.5V. Connect a resistive divider from OUT1 to FB1 to GND to set the output voltage ([Figure 3](#)). Select R₂ (FB1 to GND resistor) less than or equal to 100kΩ. Calculate R₁ (V_{OUT1} to FB1 resistor) with the following equation:

$$R_1 = R_2 \left[\left(\frac{V_{OUT1}}{V_{FB1}} \right) - 1 \right]$$

where V_{FB1} = 1V (see the [Electrical Characteristics](#) table).

The external feedback resistive divider must be frequency compensated for proper operation. Place a capacitor across R₁ in the resistive divider network. Use the following equation to determine the value of the capacitor:

if R₂/R₁ > 1, C₁ = C(R₂/R₁) else, C₁ = C, where C = 10pF.

For fixed-output options, connect FB1 to BIAS for the factory-programmed, fixed-output voltage. Connect FB1 to GND for a fixed 3.3V output voltage.

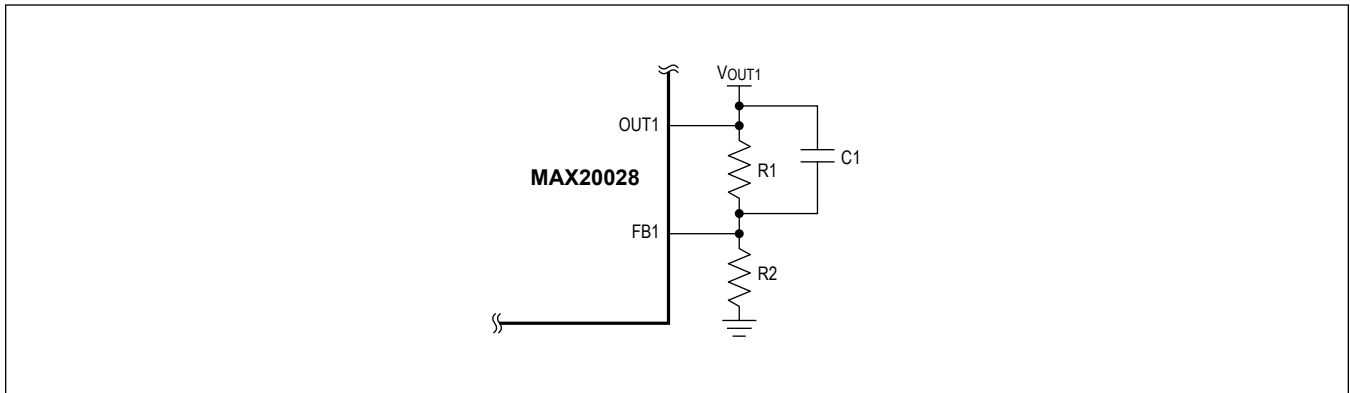


Figure 3. Adjustable OUT1 Voltage Configuration

OUT1 Current-Sense Resistor Selection

Choose the current-sense resistor based on the maximum inductor current ripple factor (K_{INDMAX}) and minimum current-limit threshold across current-sense resistor (V_{LIM1MIN} = 0.1V).

The formula for calculating the current-sense resistor is:

$$R_{CSMAX} = \frac{V_{LIM1MIN}}{I_{OUTMAX} \times \left(1 + \frac{K_{INDMAX}}{2} \right)}$$

where I_{OUTMAX} is the maximum load current for Buck 1 and K_{INDMAX} is the maximum inductor current ripple factor. The maximum inductor current ripple factor is a function of the inductor chosen, as well as the operating conditions, and is typically chosen between 0.3 and 0.4:

$$K_{INDMAX} = \frac{(V_{SUP} - V_{OUT}) \times D}{I_{OUTMAX} \times \left(1 + \frac{K_{INDMAX}}{2} \right)}$$

where D is the duty cycle. Below is a numerical example to calculate the current-sense resistor in [Figure 3](#). The maximum inductor current ripple factor is chosen at the maximum supply voltage (36V) to be 0.4:

$$R_{CSMAX} = \frac{0.1}{I_{OUTMAX} \times f_{SW1}[\text{MHz}] \times L[\mu\text{H}]} = \frac{0.1}{5 \times \left(1 + \frac{0.4}{2}\right)} = 0.0166\Omega$$

OUT1 Inductor Selection

Three key inductor parameters must be specified for operation with the device: inductance value (L), inductor saturation current (I_{SAT}), and DC resistance (R_{DCR}). Use the following formulas to determine the minimum inductor value:

$$L_{MIN1}[\text{H}] = 1.3 \times (V_{SUPMAX} - V_{OUT1}) \times \left(\frac{V_{OUT1}}{V_{SUPMAX}}\right) \times \left(\frac{1}{f_{SW1} \times I_{OUTMAX} \times K_{INDMAX}}\right)$$

where f_{SW1} is the operating frequency and 1.3 is a coefficient that accounts for inductance initial precision.

or:

$$L_{MIN2}[\mu\text{H}] = 1.3 \times \frac{V_{OUT1}}{0.8} \times R_{CS} \times A_{V_CS} \times \frac{2.1 \times 10^6}{f_{SW1}}$$

where A_{V_CS} is current-sense amplifier gain (8V/V, typ). For proper operation, the chosen inductor value must be greater than or equal to L_{MIN1} and L_{MIN2} . The maximum inductor value recommended is twice the chosen value from the above formulas.

[Table 1](#) lists some of the inductor values for 5A output current and several switching frequencies and output voltages.

Table 1. Inductor Values vs. (V_{SUPMAX} , V_{OUT1})

V_{SUPMAX} to V_{OUT1} (V)	$V_{SUPMAX} = 36\text{V}$, $V_{OUT1} = 5\text{V}$					$V_{SUPMAX} = 36\text{V}$, $V_{OUT1} = 3.3\text{V}$				
f_{SW1} (MHz)	2.1	1.05	0.525	0.420	0.35	2.1	1.05	0.525	0.420	0.350
INDUCTOR (μH), $I_{LOAD} = 5\text{A}$	1.5	3.3	5.6	6.8	8.2	1.0	2.2	4.7	4.7	6.8

Buck 1 Input Capacitor

The device is designed to operate with a single 0.1 μF capacitor on the V_{SUP} input and a single 0.1 μF capacitor on the PV1 input. Place these capacitors as close as possible to their corresponding inputs to ensure the best EMI and jitter performance.

OUT1 Output Capacitor

The primary purpose of the OUT1 output capacitor is to reduce the change in V_{OUT1} during load transient conditions. The minimum capacitor depends on the output voltage, maximum current, and load regulation accuracy. Use the following formula to determine the minimum output capacitor for Buck 1:

$$C_{OUT} \geq \frac{I_{OUT1(MAX)}}{2\pi \times f_{CO} \times \Delta V_{OUT1}}$$

where f_{CO} is the crossover frequency set by R_C and C_C , and ΔV_{OUT1} is the allowable undershoot/overshoot voltage during a load-transient condition measured in volts (V).

For proper functionality, ceramic capacitors must be used. To avoid instability, make sure that the self-resonance of the ceramic capacitors is above 1MHz.

Buck 1 MOSFET Selection

Buck 1 drives two external logic-level n-channel MOSFETs as the circuit switch elements. The key selection parameters to choose these MOSFETs are:

- On-resistance ($R_{DS(ON)}$)
- Maximum drain-to-source voltage ($V_{DS(MAX)}$)
- Minimum threshold voltage ($V_{TH(MIN)}$)
- Total gate charge (Q_G)
- Reverse transfer capacitance (C_{RSS})
- Power dissipation

Both n-channel MOSFETs must be logic-level types with guaranteed on-resistance specifications at $V_{GS} = 4.5V$ when V_{OUT1} is set to 5V or $V_{GS} = 3V$ when V_{OUT1} is set to 3.3V. The conduction losses at minimum input voltage should not exceed MOSFET package thermal limits or violate the overall thermal budget. Also, ensure that the conduction losses plus switching losses at the maximum input voltage do not exceed package ratings or violate the overall thermal budget. In particular, check that the dV/dt caused by DH1 turning on does not pull up the DL1 gate through its drain-to-gate capacitance. This is the most frequent cause of cross-conduction problems.

Gate-charge losses are dissipated by the driver and do not heat the MOSFET; therefore, the power dissipation in the device due to drive losses must be checked. Both MOSFETs must be selected so that their total gate charge is low enough; therefore, $PV1/V_{OUT1}$ can power both drivers without overheating the device:

$$P_{DRIVE} = V_{OUT1} \times (Q_{GTOTH} + Q_{GTOTL}) \times f_{SW1}$$

where Q_{GTOTL} is the low-side MOSFET total gate charge and Q_{GTOTH} is the high-side MOSFET total gate charge. Select MOSFETs with a Q_G total of less than 10nC. The n-channel MOSFETs must deliver the average current to the load and the peak current during switching. Dual MOSFETs in a single package can be an economical solution. To reduce switching noise for smaller MOSFETs, use a series resistor in the DH1 path and additional gate capacitance. Contact the factory for guidance using gate resistors.

Compensation Network

The device uses a current-mode-control scheme that regulates the output voltage by forcing the required current through the external inductor, so the controller uses the voltage drop across the DC resistance of the inductor or the alternate series current-sense resistor to measure the inductor current. Current-mode control eliminates the double pole in the feedback loop caused by the inductor and output capacitor, resulting in a smaller phase shift, and requiring less elaborate error-amplifier compensation than voltage-mode control. A single series resistor (R_C) and capacitor (C_C) is all that is required to have a stable, high-bandwidth loop in applications where ceramic capacitors are used for output filtering (see [Figure 4](#)). For other types of capacitors, due to the higher capacitance and ESR, the frequency of the zero created by the capacitance and ESR is lower than the desired closed-loop crossover frequency. To stabilize a non-ceramic output capacitor loop, add another compensation capacitor (C_F) from COMP1 to GND to cancel this ESR zero.

The basic regulator loop is modeled as a power modulator, output feedback divider, and an error amplifier (see [Figure 4](#)). The power modulator has a DC gain set by $g_{mc} \times R_{LOAD}$, with a pole and zero pair set by R_{LOAD} , the output capacitor (C_{OUT}), and its ESR. The loop response is set by the following equation:

$$GAIN_{MOD(dc)} = g_{mc} \times R_{LOAD}$$

where $R_{LOAD} = V_{OUT}/I_{OUT(MAX)}$ in ohms (Ω) and $g_{mc} = 1/(A_{V_CS} \times R_{DC})$ in Siemens (S). A_{V_CS} is the voltage gain of the current-sense amplifier and is typically 8V/V. R_{DC} is the DC resistance of the inductor or the current-sense resistor in ohms (Ω).

In a current-mode step-down converter, the output capacitor and load resistance introduce a pole at the following frequency:

$$f_{pMOD} = \frac{1}{2\pi \times C_{OUT} \times R_{LOAD}}$$

The unity-gain frequency of the power stage is set by C_{OUT} and g_{mc} :

$$f_{UGAINpMOD} = \frac{g_{mc}}{2\pi \times ESR \times C_{OUT}}$$

The output capacitor and its ESR also introduce a zero at:

$$f_{zMOD} = \frac{1}{2\pi \times ESR \times C_{OUT}}$$

When C_{OUT} is composed of "n" identical capacitors in parallel, the resulting $C_{OUT} = n \times C_{OUT(EACH)}$, and $ESR = ESR(EACH)/n$. Note that the capacitor zero for a parallel combination of like-value capacitors is the same as for an individual capacitor.

The feedback voltage-divider has a gain of $GAIN_{FB} = V_{FB}/V_{OUT}$, where V_{FB} is 1V (typ).

The transconductance error amplifier has a DC gain of $GAIN_{EA(DC)} = g_{m,EA} \times R_{OUT,EA}$, where $g_{m,EA}$ is the error-

amplifier transconductance, which is $660\mu\text{S}$ (typ), and $R_{\text{OUT,EA}}$ is the output resistance of the error amplifier, which is $30\text{M}\Omega$ (typ).

A dominant pole (f_{dpEA}) is set by the compensation capacitor (C_C) and the amplifier output resistance ($R_{\text{OUT,EA}}$). A zero (f_{zEA}) is set by the compensation resistor (R_C) and the compensation capacitor (C_C). There is an optional pole (f_{pEA}) set by C_F and R_C to cancel the output capacitor ESR zero if it occurs near the crossover frequency (f_C , where the loop gain equals 1 (0dB)).

Thus:

$$f_{\text{dpEA}} = \frac{1}{2\pi \times C_C \times (R_{\text{OUT,EA}} + R_C)}$$

$$f_{\text{zEA}} = \frac{1}{2\pi \times C_C \times R_C}$$

$$f_{\text{pEA}} = \frac{1}{2\pi \times C_F |R_C|}$$

The loop-gain crossover frequency (f_C) should be set below 1/5 of the switching frequency and much higher than the power-modulator pole (f_{pMOD}). Select a value for f_C in the range:

$$f_{\text{pMOD}} < f_C \leq \frac{f_{\text{SW}}}{10}$$

At the crossover frequency, the total loop gain must be equal to 1.

Thus:

$$\text{GAIN}_{\text{MOD}}(f_C) \times \frac{V_{\text{FB}}}{V_{\text{OUT}}} \times \text{GAIN}_{\text{EA}}(f_C) = 1$$

$$\text{GAIN}_{\text{EA}}(f_C) = g_{m, \text{EA}} \times R_C$$

$$\text{GAIN}_{\text{MOD}}(f_C) = \text{GAIN}_{\text{MOD}}(\text{dc}) \times \frac{f_{\text{pMOD}}}{f_C}$$

Therefore:

$$\text{GAIN}_{\text{MOD}}(f_C) \times \frac{V_{\text{FB}}}{V_{\text{OUT}}} \times g_{m, \text{EA}} \times R_C = 1$$

Solving for R_C :

$$R_C = \frac{V_{\text{OUT}}}{g_{m, \text{EA}} \times V_{\text{FB}} \times \text{GAIN}_{\text{MOD}}(f_C)}$$

Set the error-amplifier compensation zero formed by R_C and C_C at the f_{pMOD} . Calculate the value of C_C as follows:

$$C_C = \frac{1}{2\pi \times f_{\text{pMOD}} \times R_C}$$

If f_{zMOD} is less than $5 \times f_C$, add a second capacitor C_F from COMP1 to GND. The value of C_F is:

$$C_F = \frac{1}{2\pi \times f_{\text{zMOD}} \times R_C}$$

As the load current decreases, the modulator pole also decreases; however, the modulator gain increases accordingly and the crossover frequency remains the same.

Below is a numerical example to calculate the compensation-network component values of [Figure 4](#):

$$A_{V_CS} = 8V / V$$

$$R_{\text{DCR}} = 22\text{m}\Omega$$

$$g_{mc} = \frac{1}{(A_{V_CS} \times R_{DC})} = \frac{1}{(8 \times 0.022)} = 5.68$$

$$V_{OUT} = 5V$$

$$I_{OUT(MAX)} = 5A$$

$$R_{LOAD} = \frac{V_{OUT}}{I_{OUT(MAX)}} = \frac{5V}{6A} = 0.833\Omega$$

$$C_{OUT} = 4 \times 47\mu F = 188\mu F$$

$$ESR = \frac{9m\Omega}{4} = 2.25m\Omega$$

$$f_{SW} = 0.420MHz$$

$$GAIN_{MOD(dc)} = 5.68 \times 0.833 = 4.73$$

$$f_{pMOD} = \frac{1}{2\pi \times 188\mu F \times 0.833} \approx 376kHz$$

Since $f_{zMOD} > f_c$:

$$R_C \approx 33k\Omega$$

$$C_C \approx 4.7nF$$

$$C_F \approx 12pF$$

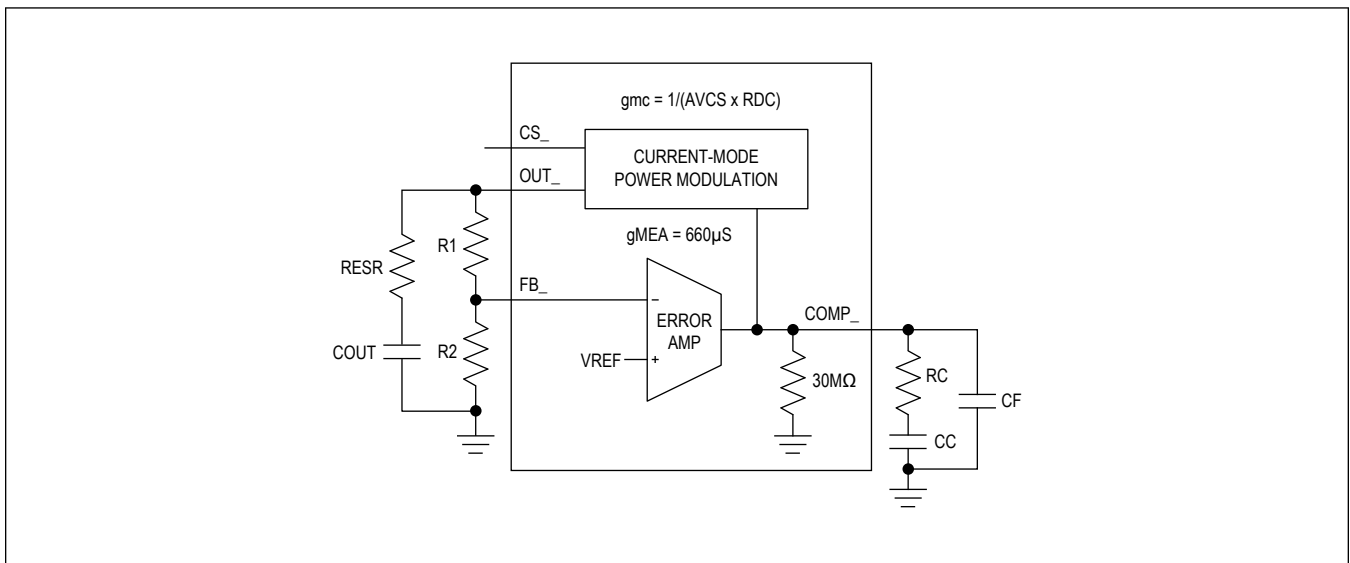


Figure 4. Compensation Network

OUT2/OUT3 Adjustable Output-Voltage Option

The device’s adjustable output-voltage version (see the [Selector Guide](#) for details) allows the customer to set the outputs to any voltage between 0.8V and 3.95V. Connect a resistive divider from the buck converter output (V_{OUT_BUCK}) to $OUT_$ to GND to set the output voltage (Figure 5). Select R_4 ($OUT_$ to GND resistor) less than or equal to 100kΩ. Calculate R_3 (V_{OUT_BUCK} to $OUT_$ resistor) with the following equation:

$$R_3 = R_4 \left[\left(\frac{V_{OUT_BUCK}}{V_{OUT_}} \right) - 1 \right]$$

where $V_{OUT_} = 0.802\text{mV}$ (see the [Electrical Characteristics](#) table).

The external feedback resistive divider must be frequency compensated for proper operation. Place a capacitor in parallel to R3 in the resistive-divider network. Use the following equation to determine the value of the capacitor:

$$\text{if } \frac{R_4}{R_3} > 1, C_2 = C \left(\frac{R_4}{R_3} \right)$$

else, $C_2 = C$, where $C = 10\text{pF}$.

For fixed output-voltage options, connect $OUT_$ to $V_{OUT_}$ for the factory-programmed, fixed-output voltage between 0.8V and 3.95V.

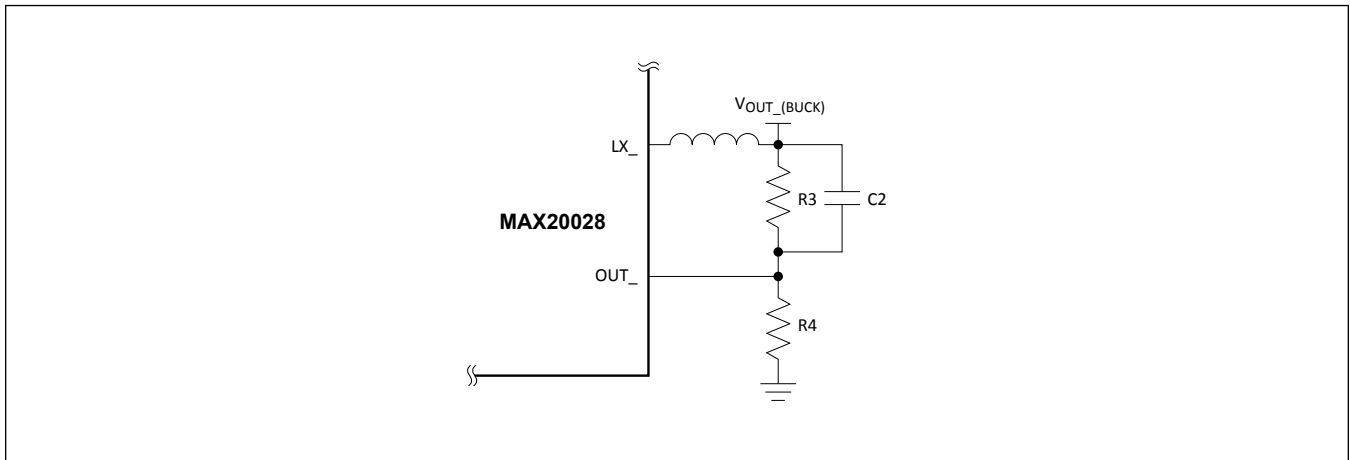


Figure 5. Adjustable $OUT2/OUT3$ Voltage Configuration

OUT2/OUT3 Inductor Selection

Three key inductor parameters must be specified for operation with the device: inductance value (L), inductor saturation current (I_{SAT}), and DC resistance (R_{DCR}). To select inductor value, the ratio of inductor peak-to-peak AC current to DC average current (LIR) must be selected first. A good compromise between size and loss is a 30% peak-to-peak ripple current to average-current ratio (LIR = 0.3). The switching frequency, input voltage, output voltage, and selected LIR then determine the inductor value as follows:

$$L_{MIN} = \frac{(V_{OUT1} - V_{OUT}) \times V_{OUT}}{(V_{OUT1} \times 2.1\text{MHz} \times I_{OUT(MAX)} \times \text{LIR})}$$

where V_{OUT1} , V_{OUT} , and $I_{OUT(MAX)}$ are typical values and are the maximum output current capability of the output (3A or 1.5A). The inductor value should also not be too large to guarantee there is enough ripple current in the feedback loop:

$$L_{MAX} = 2 \times L_{MIN}$$

Select a typical inductor value between and the first standard value greater than is usually the best choice, as it provides the best transient performance and smallest size inductor:

$$L_{MIN} \leq L \leq L_{MAX}$$

Table 2. Inductor Values vs. ($V_{PV_}$, V_{OUT})

$V_{PV_}$ TO V_{OUT} (V)	$V_{PV2/3} = 5.5\text{V}$, $V_{OUT2/3} = 3.3\text{V}$	$V_{PV2/3} = 5.5\text{V}$, $V_{OUT2/3} = 2.5\text{V}$	$V_{PV2/3} = 5.5\text{V}$, $V_{OUT2/3} = 1.5\text{V}$	$V_{PV2/3} = 3.0\text{V}$, $V_{OUT2/3} = 0.8\text{V}$
INDUCTOR (μH), $I_{LOAD} = 1.5\text{A}$	2.2	1.5	1.0	0.56
INDUCTOR (μH), $I_{LOAD} = 3.0\text{A}$	1.0	0.68	0.56	0.33

OUT2/OUT3 Input Capacitor

Place a single 4.7μF ceramic bypass capacitor on the PV2 and PV3 inputs. Phase interleaving of the two low-voltage buck converters contributes to a lower required input capacitance by cancelling input ripple currents. Place the bypass capacitors as close as possible to their corresponding PV_ input to ensure the best EMI and jitter performance.

OUT2/OUT3 Output Capacitor

The minimum capacitor required depends on output voltage. Use the following formula to determine the required output capacitance value:

$$C_{OUT(MIN)} = \frac{40 \times I_{MAX}}{V_{OUT_}} \mu F$$

This is the minimum derated capacitance value over initial, life, and temperature. When using ±20% X7R capacitors with adequate working voltage, the nominal output capacitance should total around 1.4 times the minimum value:

$$C_{OUT(NOM)} = C_{OUT(MIN)} \times 1.4$$

For proper functionality, ceramic capacitors must be used; make sure that the self-resonance of the ceramic capacitors at the converters' output converter is above 1MHz to avoid instability.

Thermal Considerations

How much power the package can dissipate strongly depends on the mounting method of the IC to the PCB and the copper area for cooling. Using the JEDEC test standard, the maximum power dissipation allowed is 2759mW in the TQFN package. More power dissipation can be handled by the package if great attention is given during PCB layout. For example, using the top and bottom copper as a heatsink and connecting the thermal vias to one of the middle layers (GND) transfers the heat from the package into the board more efficiently, resulting in lower junction temperature at high power dissipation in some MAX20028 applications. Furthermore, the solder mask around the IC area on both top and bottom layers can be removed to radiate the heat directly into the air. The maximum allowable power dissipation in the IC is as follows:

$$P_{MAX} = \frac{(T_{J(MAX)} - T_A)}{\theta_{JC} + \theta_{CA}}$$

where $T_{J(MAX)}$ is the maximum junction temperature (+150°C), T_A is the ambient air temperature, θ_{JC} is the thermal resistance from the junction to the case, and θ_{CA} is the thermal resistance from the case to the surrounding air through the PCB, copper traces, and the package materials. θ_{CA} is directly related to system-level variables and can be modified to increase the maximum power dissipation. The TQFN package has an exposed thermal pad on its underside. This pad provides a low thermal-resistance path for heat transfer into the PCB. This low thermally resistive path carries a majority of the heat away from the IC. The PCB is effectively a heatsink for the IC. The exposed pad should be connected to a large ground plane for proper thermal and electrical performance. The minimum size of the ground plane is dependent upon many system variables. To create an efficient path, the exposed pad should be soldered to a thermal landing and connected to the ground plane by thermal vias. The thermal landing should be at least as large as the exposed pad and can be made larger depending on the amount of free space from the exposed pad to the other pin landings. A sample layout is available on the MAX20028 evaluation kit to speed designs.

PCB Layout Guidelines

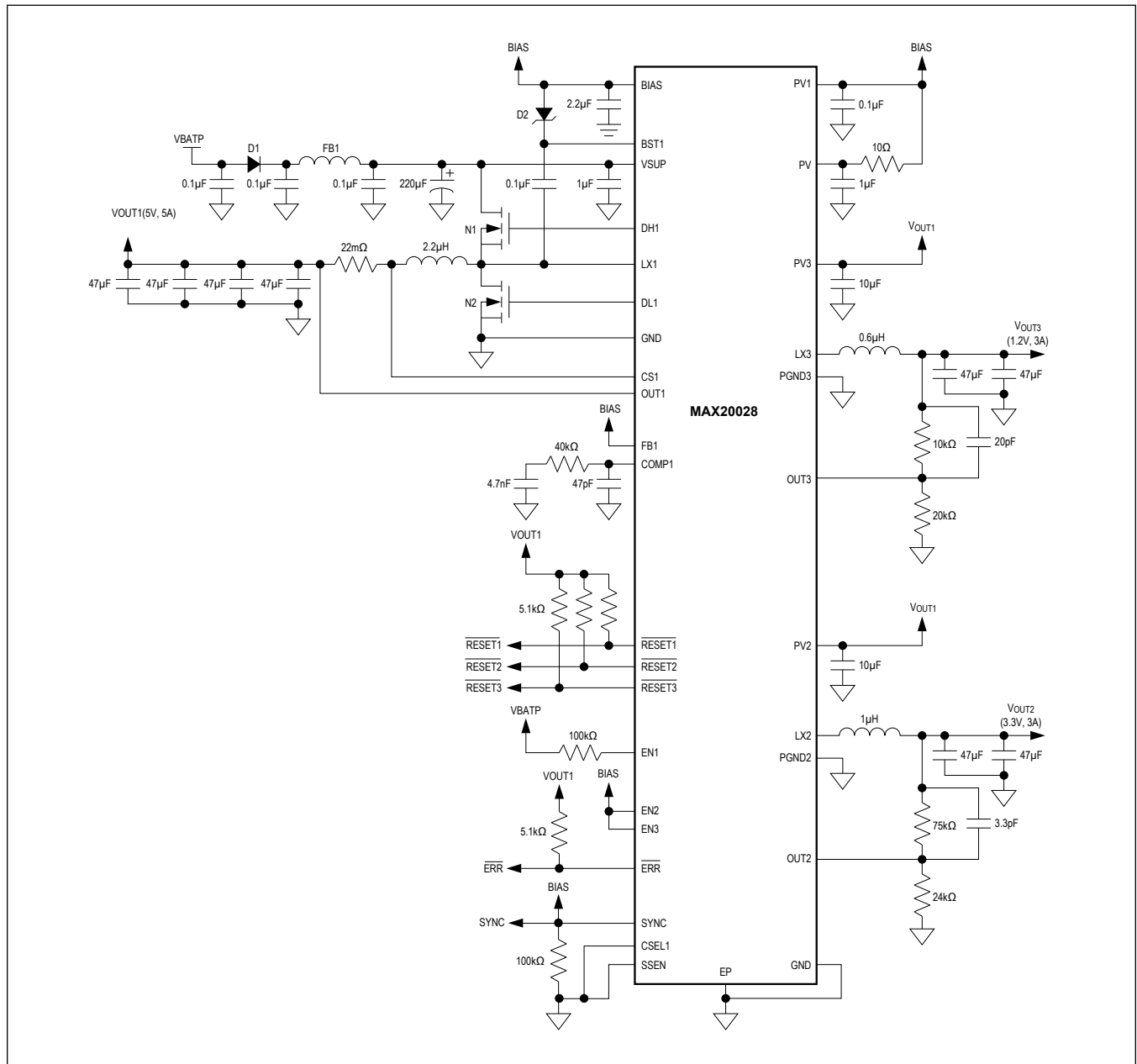
Careful PCB layout is critical to achieve low switching losses and clean, stable operation. Use a multilayer board whenever possible for better noise immunity and power dissipation. Follow these guidelines for good PCB layout:

1. Use a large contiguous copper plane under the device package. Ensure that all heat-dissipating components have adequate cooling.
2. Isolate the power components and high-current path from the sensitive analog circuitry. This is essential to prevent any noise coupling into the analog signals.
3. Keep the high-current paths short, especially at the ground terminals. This practice is essential for stable, jitter-free operation. The high-current path comprising input capacitor, high-side FET, inductor, and the output capacitor should be as short as possible.
4. Keep the power traces and load connections short. This practice is essential for high efficiency. Use thick copper

PCBs (2oz vs. 1oz) to enhance full-load efficiency.

- The analog signal lines should be routed away from the high-frequency planes. This ensures integrity of sensitive signals feeding back into the device.
- Use a single ground plane to reduce the chance of ground-potential differences. With a single ground plane, enough isolation between analog return signals and high-power signals must be maintained.

Typical Application Circuits



Ordering Information

PART NUMBER	TEMP RANGE	PIN-PACKAGE	STARTUP THRESHOLD	PREBIAS PROTECTION
MAX20028ATJ_ /VY+	-40°C to +125°C	32 TQFN-EP**	4.5V _{SUPPLY} (typ)	Enabled
MAX20028BATJ_ /VY++	-40°C to +125°C	32 TQFN-EP**	4.1V _{SUPPLY} (typ)	Disabled

Note: Insert the desired option letter (from the [Selector Guide](#)) into the blank to indicate buck switching frequency, active timeout period, fixed or adjustable output voltages, maximum output current, and SYNC functionality.

+Denotes lead(Pb)-free/RoHS-compliance.

/V denotes an AEC-Q100 automotive-qualified part.

Y = Side-wettable package.

**EP = Exposed pad.

T = Tape and reel. Devices are also available in tape-and-reel packaging. Specify tape and reel by adding "T" to the part number when ordering.

Contact factory for availability.

Factory-selectable features include:

- f_{SW1} divide ratio with respect to master clock
- DC-DC output voltage
- Number of cycles in active timeout period
- Independent current limit for each channel up to 3A
- SYNC input

Revision History

REVISION NUMBER	REVISION DATE	DESCRIPTION	PAGES CHANGED
0	12/14	Initial release	—
1	9/16	Updated Benefits and Features , Simplified Schematic , and Pin Description	1, 10
2	11/17	Updated General Description , Benefits and Features ; added two new TOCs (toc3 and toc4) in Typical Operating Characteristics section and renumbered remaining TOCs; updated pin 27 in Pin Description Table ; updated Detailed Description and Linear Regulator (BIAS) sections; added new Spread-Spectrum Enable (SSEN) section and Figure 1; updated OUT1 Current-Sense Resistor Selection and Compensation Network sections; updated Typical Application Circuit , Selector Guide , Ordering Information , and Package Information sections	1, 6, 10, 11, 12, 13, 16, 19, 22, 23
3	12/17	Updated Benefits and Features	1
4	3/19	Updated Pin Description Table ; updated Detailed Description and Applications Information sections.	9, 16, 17, 18, 19, 23
5	9/19	Updated Ordering Information section to remove remaining future-product notation	23
6	3/20	Updated Electrical Characteristics	4
7	3/22	Updated Electrical Characteristics , Soft-Start , and Ordering Information	3, 4, 15, 26