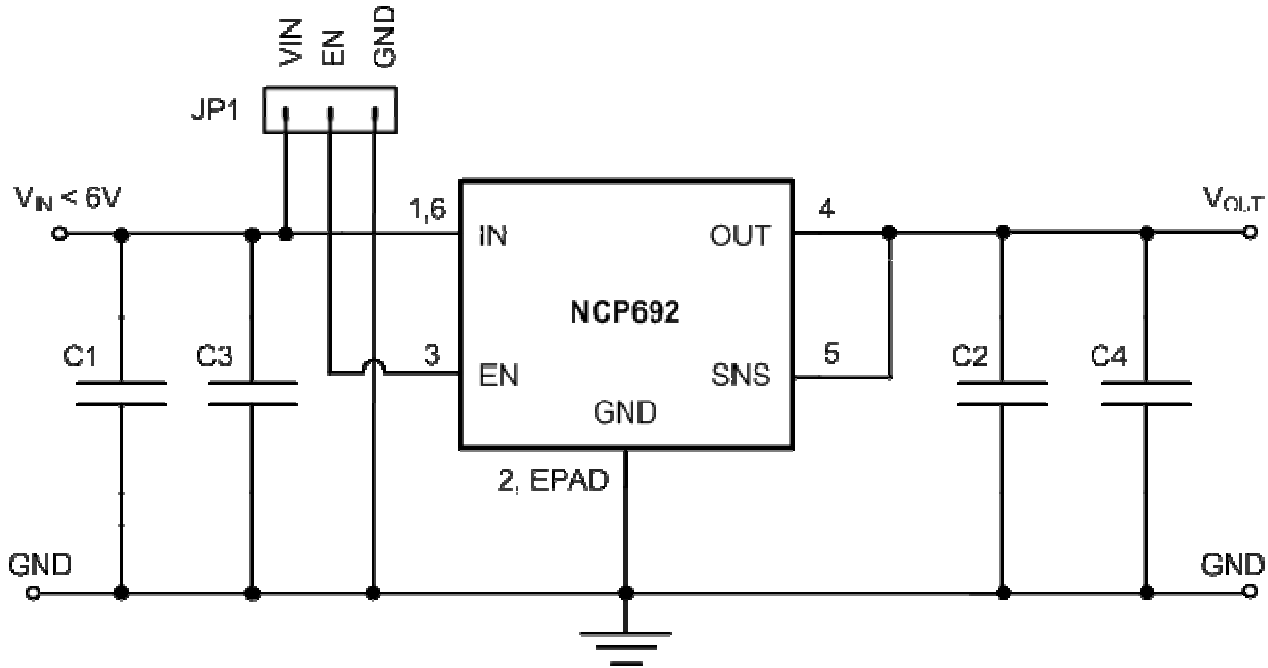


# Schematic for the NCP692, 1A, Fixed Output Voltage LDO Demonstration Board

ON Semiconductor



NCP692, 1A, Fixed Output Voltage LDO Schematic View