

MODELS:

PDU3XVN3G16, PDU3XVN10G16

3-Phase Monitored Rackmount PDU



400V
3-Phase Input



16A Red IEC
309 3P+N+E
Plug



230V Single-Phase
Output



36 Outlets

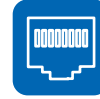


11kW

11kW Load
Capacity



Multimode
Load Meter



Network
Interface

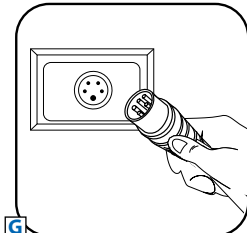


0U
Rackmount



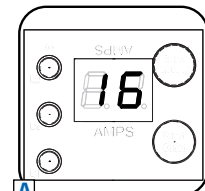
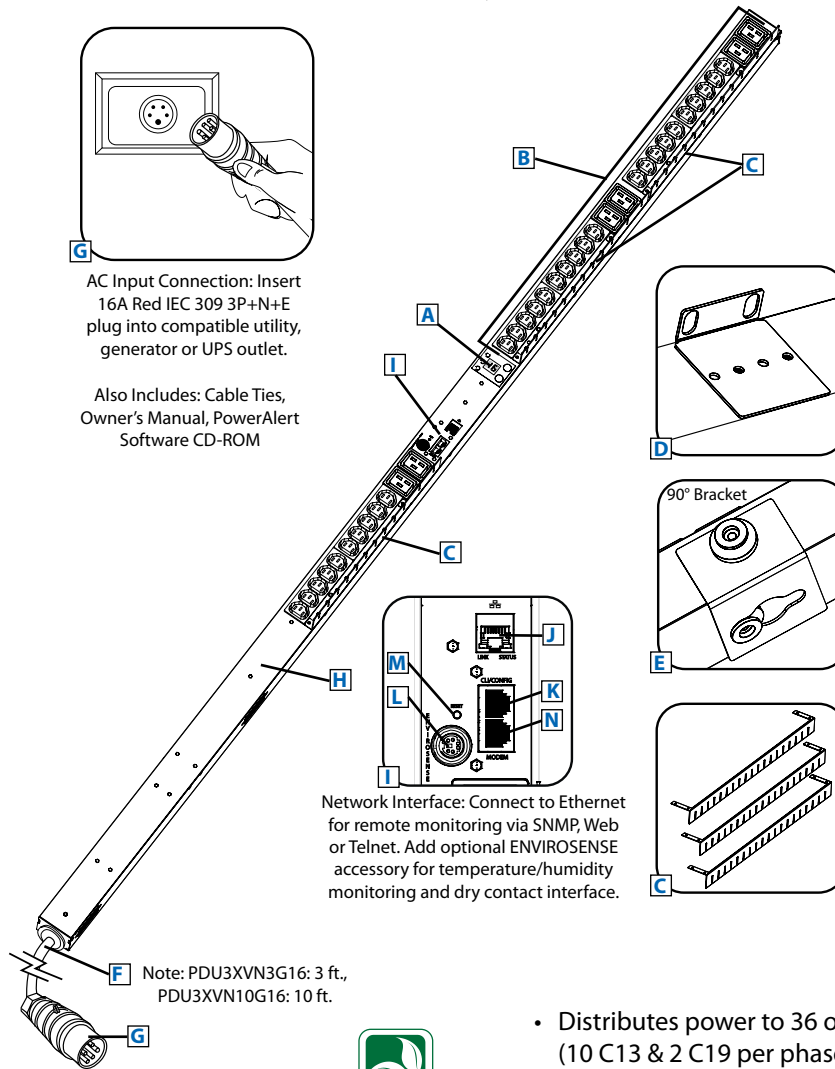
Toolless
Mounting
Buttons

- A** Digital Load Meter
- B** C13 and C19 Outlets
- C** Removable Cord Retention Brackets
- D** Removable Mounting Brackets
- E** Toolless Mounting Buttons with Removable 90° Rotation Brackets
- F** PDU3XVN3G16: 3-ft. Input Power Cord
PDU3XVN10G16: 10-ft. Input Power Cord
- G** 16A Red IEC 309 3P+N+E
- H** Durable Metal Case
- I** Network Interface
- J** RJ45 Ethernet Jack
- K** Manual Configuration Port
- L** Environmental Monitoring Port
- M** Network Interface Reset Button
- N** Modem Port (For Future Use)

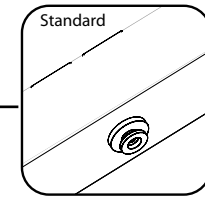
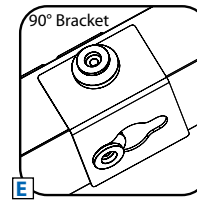
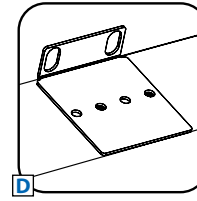


AC Input Connection: Insert 16A Red IEC 309 3P+N+E plug into compatible utility, generator or UPS outlet.

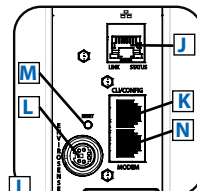
Also Includes: Cable Ties, Owner's Manual, PowerAlert Software CD-ROM



Multimode Load Meter: Display the load for any output phase, display the IP address or rotate the display 180°.



Note: Installed 17.67 mm toolless mounting buttons can be replaced with included 14.17 mm buttons for additional compatibility.



Network Interface: Connect to Ethernet for remote monitoring via SNMP, Web or Telnet. Add optional ENVIROSENSE accessory for temperature/humidity monitoring and dry contact interface.

Note: PDU3XVN3G16: 3 ft., PDU3XVN10G16: 10 ft.



Specifications

Models	PDU3XVN3G16, PDU3XVN10G16
Voltage	400V 3-Phase Input/230V Single-Phase Output
Frequency	50/60Hz
Load Capacity	11kW
Input Plug	16A Red IEC 309 3P+N+E
Input Cord Length	PDU3XVN3G16: 3 ft., PDU3XVN10G16: 10 ft.
Outlets	36 (30 C13 / 6 C19)
Primary Mounting Option	0U (Vertical) Rackmount
Unit Weight & Dimensions	PDU3XVN3G16: 12.5 lbs / 70 x 2.20 x 3.58 in. PDU3XVN10G16: 12.6 lbs / 70 x 2.20 x 3.58 in. See next page for detailed unit measurements.
Certifications	CE (EN60950-1), Class A, RoHS

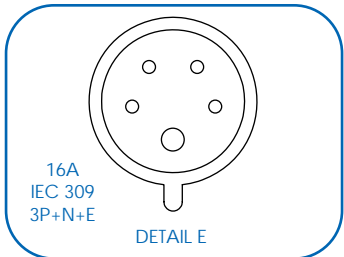
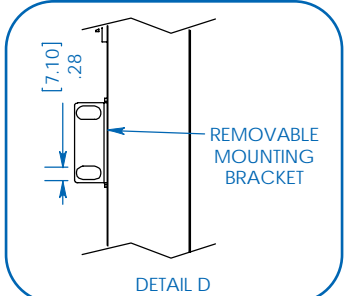
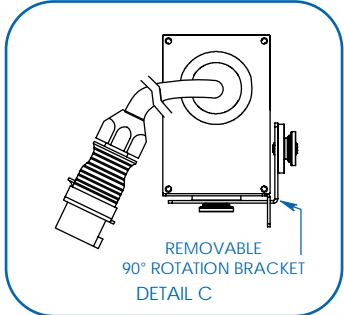
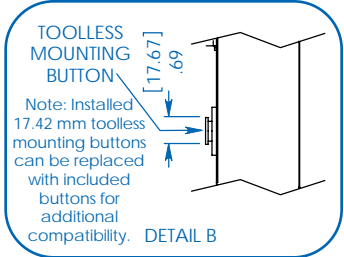
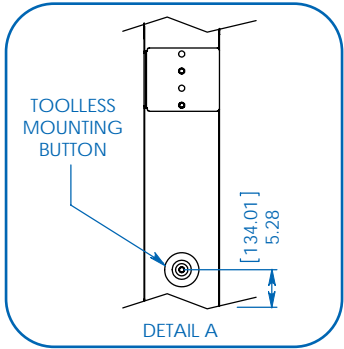
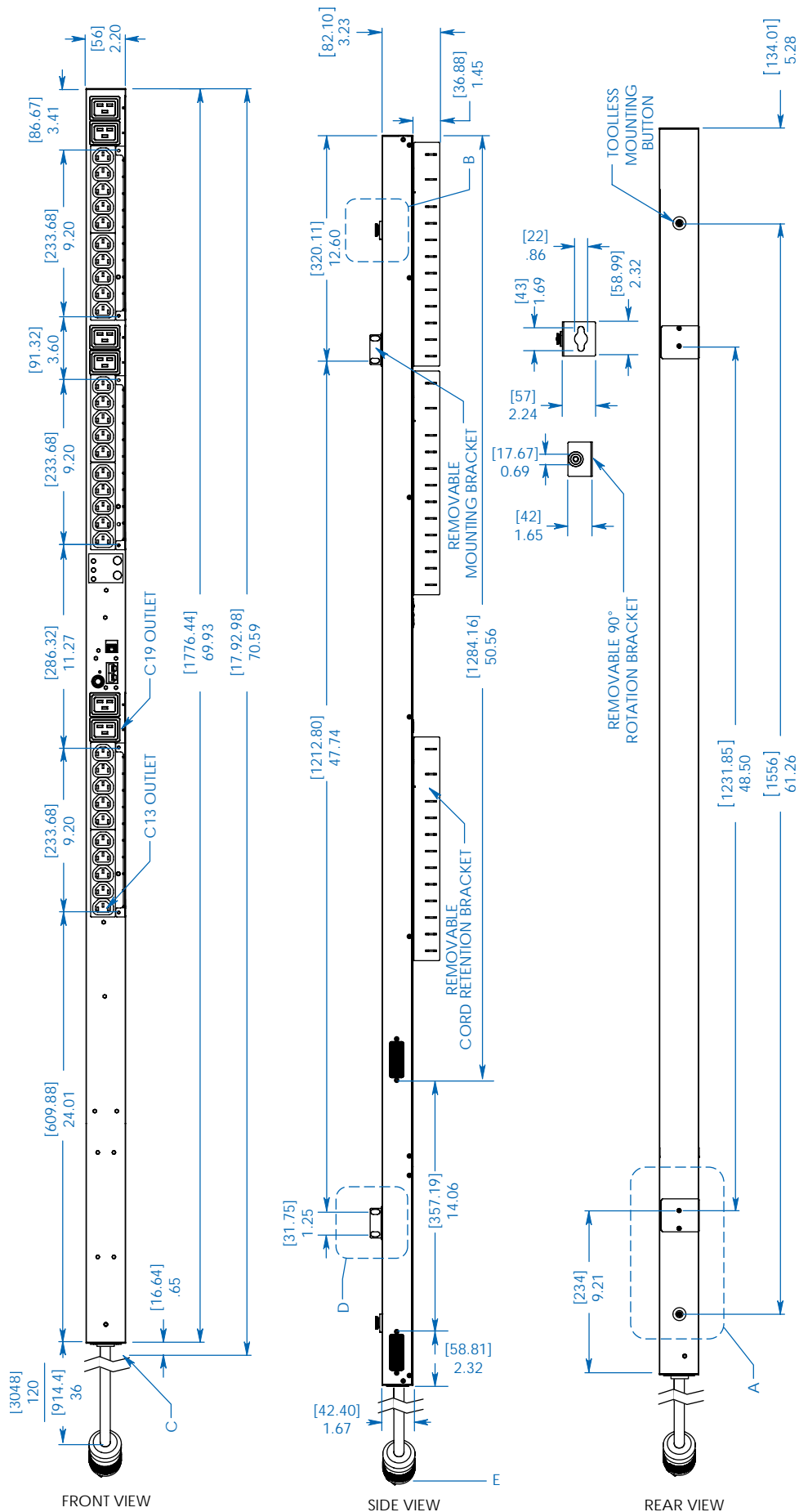
Tripp Lite has a policy of continuous improvement. Specifications are subject to change without notice.

- Distributes power to 36 outlets (10 C13 & 2 C19 per phase)
- Remote monitoring and control via SNMP, Web or Telnet
- Displays load for output phase in real time
- Perfect for rackmount server, network and telecom applications

SEE NEXT PAGE FOR DETAILED UNIT MEASUREMENTS



1111 W. 35th Street
Chicago, IL 60609 USA
773.869.1234
www.tripplite.com



Dimensions: [mm] INCHES

Tripp Lite has a policy of continuous improvement. Specifications are subject to change without notice.

MODELS:
PDU3XVN3G16,
PDU3XVN10G16



1111 W. 35th Street
 Chicago, IL 60609 USA
 773.869.1234

www.tripplite.com