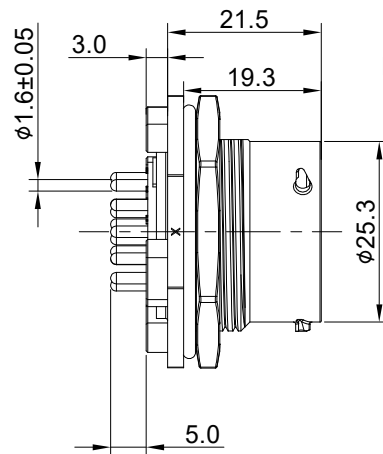
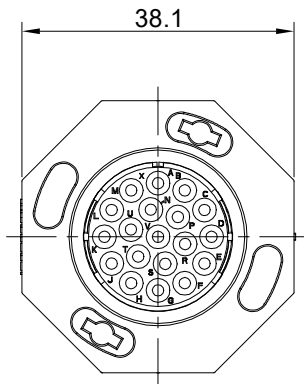
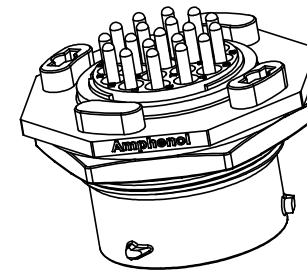
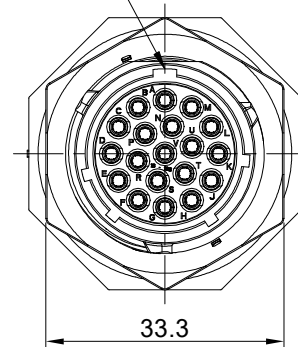


REVISIONS					
REV	ECO	DESCRIPTION	DATE	BY	APPR
A1	-	RELEASED DRAWING	Jul-25-2019	Ronald	Tommy



MASTER KEYWAY



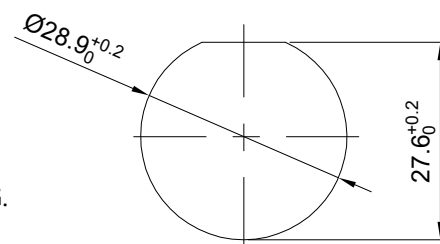
NOTES: (UNLESS OTHERWISE SPECIFIED)

1. MATERIAL:

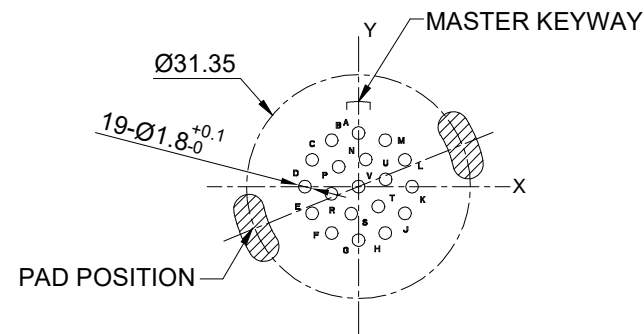
- SHELL: THERMOPLASTIC, UL94 V-0.
- INSERT: THERMOPLASTIC, UL94 V-0.
- O-RING: SILICONE RUBBER.
- SEAL GASKET: SILICONE RUBBER.
- JAM NUT: ALUMINIUM ALLOY, BLACK ANODIZING.
- CONTACT : COPPER ALLOY,GOLD PLATED.

2. SPECIFICATIONS:

- 2.1, RATED CURRENT: 13A (MAX).
 - 2.2, RATED VOLTAGE: 500V(AC/DC).
 - 2.3, OPERATING TEMPERATURE: -40°C ~ 125°C.
 - 2.4, DIELECTRIC WITHSTANDING VOLTAGE: LESS THAN 2 MILLIAMPS CURRENT LEAKAGE@2000 VOLTS AC.
 - 2.5, INSULATION RESISTANCE: 5000 MEGOHMS MIN.
 - 2.6, IP-CLASS: IP67 AND IP69K IN THE MATED CONDITION , PANEL EXTERNAL.
 - 2.7, MATING CYCLES DURABILITY: 500 CYCLES MIN.
 - 2.8, RoHS COMPLIANT.
3. SUITABLE CONTACTS : 16# CONTACT.
4. ALL DIMENSIONS ARE FOR REFERENCE USE ONLY.



RECOMMEND MOUNTING HOLE



RECOMMEND PCB LAYOUT

Position number	X	Y
A	0.000	7.500
B	-3.750	6.495
C	-6.495	3.750
D	-7.500	0.000
E	-6.495	-3.750
F	-3.750	-6.495
G	0.000	-7.500
H	3.750	-6.495
J	6.495	-3.750
K	7.500	0.000
L	6.495	3.750
M	3.750	6.495
N	1.016	3.791
P	-2.775	2.775
R	-3.791	-1.016
S	-1.016	-3.791
T	2.775	-2.775
U	3.791	1.016
V	0.000	0.000

KEY	PART NUMBER
N	RTS716ND19S03
W	RTS716WD19S03
X	RTS716XD19S03
Y	RTS716YD19S03
Z	RTS716ZD19S03

QUANTITY	PART NUMBER	DESCRIPTION	ITEM
MATERIALS LIST			
UNLESS OTHERWISE SPECIFIED 1) All dimensions are in metric(mm). 2) Tolerances are as follows: 1 PL DEC ±0.30 2 PL DEC ±0.15 3 PL DEC ±0.08 Fractions ±1/64 Angles ±1° 3) Note reference =		SIGNATURES DRAWN: Ronald Jul-25-2019 CHECKED: Martin Jul-25-2019 APPROVAL: Tommy Jul-25-2019	DATE Jul-25-2019
MATERIAL SPECIFICATIONS: THIS DRAWING IS SUPPLIED FOR INFORMATION ONLY. DESIGN FEATURES, SPECIFICATIONS AND PERFORMANCE DATA SHOWN HEREON ARE THE PROPERTY OF THE AMPHENOL CORPORATION. NO RIGHTS OF REPRODUCTION ARE IMPLIED. ALL DIMENSIONS ARE SUBJECT TO NORMAL MANUFACTURING VARIATIONS.		 Sine Systems - www.amphenol-sine.com 44724 Morley Drive Clinton Township, MI 48036	
PROCESS SPECIFICATIONS: NEXT ASSY:		RECEPTACLE, JAM NUT, 19POS SOCKET CONTACT, DIPSOLDER, SIZE 16	
SIZE B C-		DWG NO: RTS716*D19S03	
SCALE: NONE		REVISION A1	
RTS716*D19S03		SHEET 1 OF 1	

TITLE RECEPTACLE, JAM NUT, 19POS, SOCKET CONTACT, DIPSOLDER, SIZE 16 DWG NO: RTS716*D19S03 REV: A1 SH: 1 OF: 1