



Advisory Letter

Product Group: Vishay Siliconix/ Dec 29, 2022 / SIL-0162022

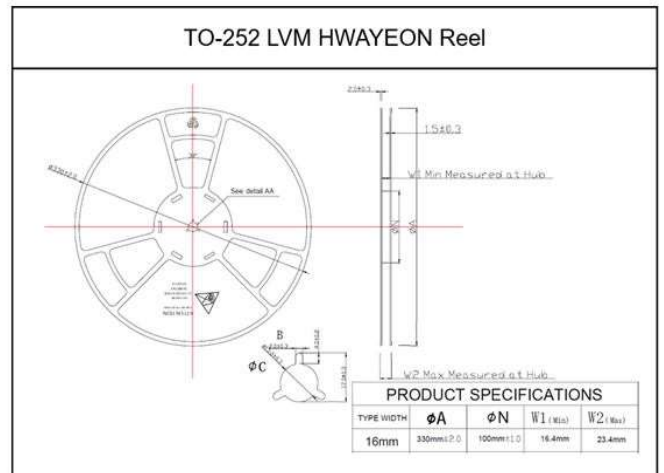
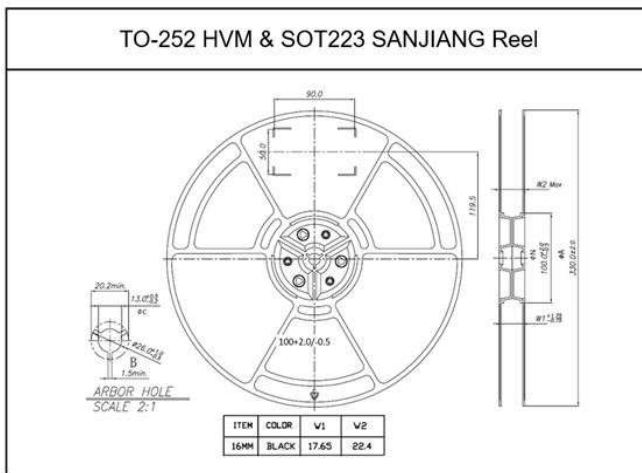
Subject: Reel Supplier & Design Change for TO252 HVM & SOT223 packages

Dear Valued Customer:

This advisory is being provided to you as an announcement that we will introduce an improved packing reel design change for Vishay Siliconix TO252 HVM & SOT223 packages at ATX, Weihai, China.

| | | |
|------|----------|---------------------|
| | Supplier | Affected Product |
| From | Sanjiang | TO-252 HVM & SOT223 |
| To | Hwayeon* | TO-252 HVM & SOT223 |

* Hwayeon Reel is currently used in TO-252 LVM package



The change is to standardize with Vishay Siliconix LVM products which will be implemented starting from January 2023 onwards and original reel availability will depend on distribution inventory status then.

Please refer to 2nd page of this advisory letter for affected parts list.

There will be no effect on the quality, reliability, or performance.

This is an advisory and does not require your response. Please do not hesitate to contact us if you have any questions or need further information.

Sincerely,

Michael Hsieh

Vishay Siliconix Senior Manager, Product Marketing

E-mail address: Michael.Hsieh@Vishay.com

Vishay Intertechnology, Inc.

Corporate Headquarters 63 Lincoln Highway, Malvern, PA 19355-2143 U.S.A. Phone (610) 644-1300 Fax (610) 296-0657 www.vishay.com

ONE OF THE WORLD'S LARGEST MANUFACTURERS OF DISCRETE SEMICONDUCTORS AND PASSIVE COMPONENT

Procedure #



Advisory Letter

Product Group: Vishay Siliconix/ Dec 29, 2022 / SIL-0162022

Affected Parts List

| DPAK | | | |
|-----------------|--------------------|--------------------|------------------|
| IRFR010TRLPBF | IRFR9014TRLPBF | SIHD240N60E-T5-GE3 | SIHFR310TRR-GE3 |
| IRFR010TRPBF | IRFR9014TRPBF | SIHD3N50DT1-GE3 | SIHFR320TR-GE3 |
| IRFR010TRRPBF | IRFR9020TRLPBF | SIHD3N50DT4-GE3 | SIHFR320TRL-GE3 |
| IRFR014TRLPBF | IRFR9020TRPBF | SIHD3N50DT5-GE3 | SIHFR420ATR-GE3 |
| IRFR014TRPBF | IRFR9024TRLPBF | SIHD4N80ET1-GE3 | SIHFR420ATRL-GE3 |
| IRFR014TRRPBF | IRFR9024TRPBF | SIHD4N80ET4-GE3 | SIHFR420TR-GE3 |
| IRFR020TRLPBF | IRFR9110TRLPBF | SIHD4N80ET5-GE3 | SIHFR420TRL-GE3 |
| IRFR020TRPBF | IRFR9110TRPBF | SIHD5N50DT1-GE3 | SIHFR420TRR-GE3 |
| IRFR020TRRPBF | IRFR9110TRRPBF | SIHD5N50DT4-GE3 | SIHFR430ATR-GE3 |
| IRFR024TRLPBF | IRFR9120TRLPBF | SIHD5N50DT5-GE3 | SIHFR430ATRL-GE3 |
| IRFR024TRPBF | IRFR9120TRPBF | SIHD6N62ET1-GE3 | SIHFR430ATRR-GE3 |
| IRFR024TRRPBF | IRFR9120TRRPBF | SIHD6N65ET1-GE3 | SIHFR9010TR-GE3 |
| IRFR110TRLPBF | IRFR9210TRLPBF | SIHD6N65ET4-GE3 | SIHFR9010TRL-GE3 |
| IRFR110TRPBF | IRFR9210TRPBF | SIHD6N65ET5-GE3 | SIHFR9014TR-GE3 |
| IRFR120TRLPBF | IRFR9214TRLPBF | SIHD6N80AET1-GE3 | SIHFR9014TRL-GE3 |
| IRFR120TRPBF | IRFR9214TRPBF | SIHD6N80AET4-GE3 | SIHFR9020TR-GE3 |
| IRFR120TRRPBF | IRFR9220TRLPBF | SIHD7N60ET1-GE3 | SIHFR9020TRL-GE3 |
| IRFR1N60ATRLPBF | IRFR9220TRPBF | SIHD7N60ET4-GE3 | SIHFR9024TR-GE3 |
| IRFR1N60ATRPBF | IRFR9220TRRPBF | SIHD7N60ET5-GE3 | SIHFR9024TRL-GE3 |
| IRFR210TRLPBF | IRFR9310TRLPBF | SIHFR010TR-GE3 | SIHFR9024TRR-GE3 |
| IRFR210TRPBF | IRFR9310TRPBF | SIHFR010TRL-GE3 | SIHFR9110TR-GE3 |
| IRFR210TRRPBF | IRFR9310TRRPBF | SIHFR014TR-GE3 | SIHFR9110TRL-GE3 |
| IRFR214TRLPBF | IRFRC20TRLPBF | SIHFR014TRL-GE3 | SIHFR9120TR-GE3 |
| IRFR214TRPBF | IRFRC20TRPBF | SIHFR020TR-GE3 | SIHFR9120TRL-GE3 |
| IRFR214TRRPBF | IRFRC20TRRPBF | SIHFR024TR-GE3 | SIHFR9210TR-GE3 |
| IRFR220TRLPBF | IRLR014TRLPBF | SIHFR024TRL-GE3 | SIHFR9214TR-GE3 |
| IRFR220TRPBF | IRLR014TRPBF | SIHFR110TR-GE3 | SIHFR9214TRL-GE3 |
| IRFR220TRRPBF | IRLR024TRLPBF | SIHFR110TRL-GE3 | SIHFR9220TR-GE3 |
| IRFR224TRLPBF | IRLR024TRPBF | SIHFR110TRR-GE3 | SIHFR9220TRL-GE3 |
| IRFR224TRPBF | IRLR110TRLPBF | SIHFR120TR-GE3 | SIHFR9220TRR-GE3 |
| IRFR224TRRPBF | IRLR110TRPBF | SIHFR120TRL-GE3 | SIHFR9310TR-GE3 |
| IRFR310TRLPBF | IRLR120TRLPBF | SIHFR120TRR-GE3 | SIHFR9310TRL-GE3 |
| IRFR310TRPBF | IRLR120TRPBF | SIHFR1N60ATR-GE3 | SIHFR9310TRR-GE3 |
| IRFR320TRLPBF | IRLR120TRRPBF | SIHFR1N60ATRL-GE3 | SIHFR9310TRR-GE3 |
| IRFR320TRPBF | SIHD11N80AE-T1-GE3 | SIHFR1N60ATRR-GE3 | SIHFR9310TRR-GE3 |
| IRFR320TRRPBF | SIHD11N80AE-T4-GE3 | SIHFR210TRL-GE3 | SIHFR9310TRR-GE3 |
| IRFR420ATRLPBF | SIHD12N50E-T1-GE3 | SIHFR210TRR-GE3 | SIHLR014TRL-GE3 |
| IRFR420ATRPBF | SIHD14N60ET1-GE3 | SIHFR214TR-GE3 | SIHLR024TR-GE3 |
| IRFR420TRLPBF | SIHD14N60ET4-GE3 | SIHFR214TRL-GE3 | SIHLR024TRL-GE3 |
| IRFR420TRPBF | SIHD14N60ET5-GE3 | SIHFR214TRR-GE3 | SIHLR110TR-GE3 |
| IRFR420TRRPBF | SIHD180N60ET1-GE3 | SIHFR220TRL-GE3 | SIHLR120TR-GE3 |
| IRFR430ATRLPBF | SIHD180N60ET4-GE3 | SIHFR224TR-GE3 | SIHLR120TRL-GE3 |
| IRFR430ATRPBF | SIHD186N60EFT1-GE3 | SIHFR224TRL-GE3 | SIHLR120TRR-GE3 |
| IRFR9010TRLPBF | SIHD240N60E-T1-GE3 | SIHFR310TR-GE3 | |
| IRFR9010TRPBF | SIHD240N60E-T4-GE3 | SIHFR310TRL-GE3 | |
| SOT223 | | | |
| IRFL014TRPBF | IRFL9014TRPBF | SIHFL014TR-GE3 | SIHFL9014TR-GE3 |
| IRFL110TRPBF | IRFL9110TRPBF | SIHFL110TR-GE3 | SIHFL9110TR-GE3 |
| IRFL210TRPBF | IRLL014TRPBF | SIHFL210TR-GE3 | SIHLL014TR-GE3 |
| IRFL214TRPBF | IRLL110TRPBF | SIHFL214TR-GE3 | SIHLL110TR-GE3 |

Vishay Intertechnology, Inc.

Corporate Headquarters 63 Lincoln Highway, Malvern, PA 19355-2143 U.S.A. Phone (610) 644-1300 Fax (610) 296-0657 www.vishay.com

ONE OF THE WORLD'S LARGEST MANUFACTURERS OF DISCRETE SEMICONDUCTORS AND PASSIVE COMPONENT

Procedure #