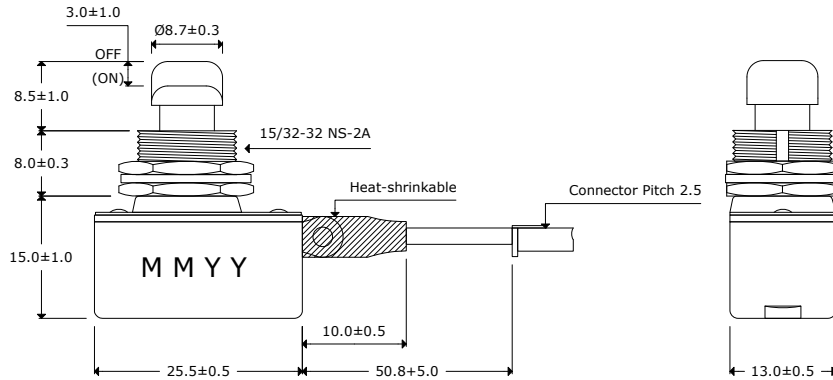
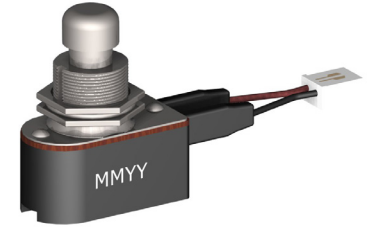
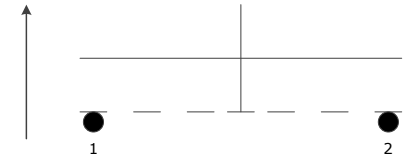


S SW FS - S01 - A C 11 - HWH - C25

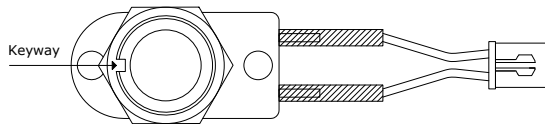
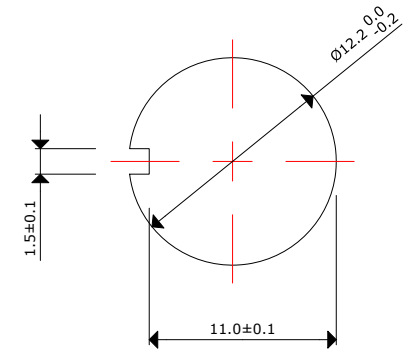
SUNTSU
SWITCH
FOOT SWITCH
SERIES NUMBER
SWITCH FUNCTION
 A : SPST OFF-(ON)
TERMINAL CODE
 11 : Wire
BUSHING AND BUTTON SPEC
 C : Button 8.7Ø, Bushing 8.0mm
ACCESSORIES
 H : Hex Nut
 W : Spring Washer
CONNECTOR
 C25 : W/ Connector
 Pitch 2.5mm



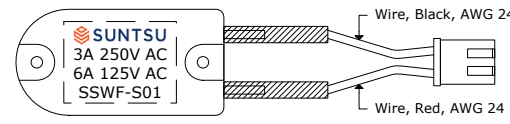
Test Circuit



Mounting Hole



Top View



Bottom View

Electrical Parameters:
 Rating: 6A 125V AC, 3A 250VAC
 Contact Resistance: 50mΩ Max
 Insulation Resistance: DC 500V 100MΩ Min.
 Dielectric Strength: AC 1500V 1 minute
 Operation Temperature: -20°C ~ 65°C
 Switch Function: 2P SPST OFF-(ON), PUSH ON
 Accessories: 2 HEX Nut & 1 SPRING Washer Assembly
Materials:
 Frame: Black, PF
 Actuator: Ni-plated, Brass
 Terminals: Silver plated, Copper Alloy

- Remarks:
- 500pcs per master carton
 - Electrical life 20,000 cycles
 - Mechanical life 100,000 cycles



Momentary Foot Switch

Document History				Part No.	Drawn
Edits Made	Date	Edited By	Approved By	SSWFS-S01-AC11-HWH-C25	B. Gibbons 09/07/2021
Initial Release	09/07/2021	B. Gibbons	KH Mun		
				Scale	Tolerance
				Unit	Pages
				mm	1/1