

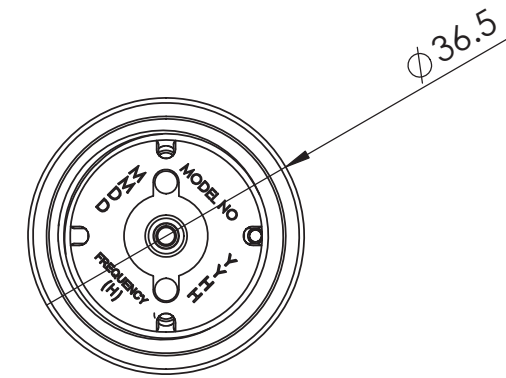
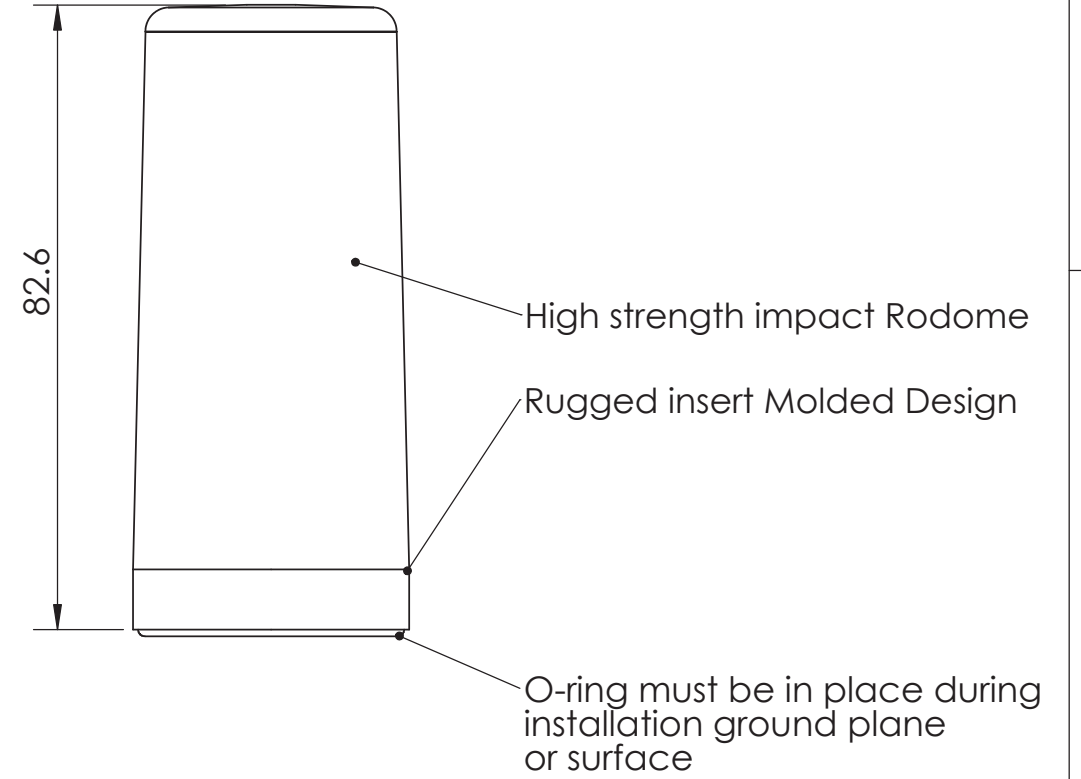
Electrical SPEC

| Item | Model Number | Antenna Color | Frequency | VSWR | Gain (Typical) | Gain (Max) | Input Impedance | Polarization |
|------|------------------|---------------|-------------|--------|----------------|------------|-----------------|--------------|
| 1 | UTRA4301S3NW-001 | WHITE | 430-490 MHz | <2.5:1 | 3.3 dBi | 3.6 dBi | 50 ohm | Vertical |
| 2 | UTRA4301S3NB-001 | BLACK | 430-490 MHz | <2.5:1 | 3.3 dBi | 3.6 dBi | 50 ohm | Vertical |

*Tested on 2ft x 2ft Ground Plane

REVISIONS

| REV. | ECR# | ZONE | DESCRIPTION | CHANGED BY/DATE | APPROVED BY/DATE |
|------|---------------|------|-------------|-----------------|------------------|
| F01 | ECN-IAS-03462 | N/A | MO RELEASED | TPC 8 MAY13 | CYH 8 MAY13 |



Parameter

Mechanical SPEC

| | |
|-----------------------|---|
| Model Number | Refer to Config Table Below |
| Antenna Type | Shorted Monopole |
| Weight | 163.3g |
| Mounting | NMO |
| Wind Survival | 282 km/h |
| Antenna Dimension | 82.6(H)X36.5(Dia.)mm (Excludes Gasket Height) |
| Operating Temperature | -45°C ~ +85°C |
| Storage Temperature | -50°C ~ +85°C |
| Ingression Protection | IP67 |
| Installation Torque | 5.43~8.14 Nm |

| | | | | | |
|----------------------|---------|------------------------|--|--|----------------------|
| MATERIAL: N/A | | THIRD ANGLE PROJECTION | | | |
| FINISH: N/A | | | | | |
| APPROVALS | | DATE | | TITLE: | |
| DRAWN BY | TP CHEE | 8 MAY 13 | | MOUNTING & OUTLINE | |
| ELEC. ENG. | | | | INTERPRET DIMENSIONING AND TOLERANCING IN ACCORDANCE WITH ASME Y14.5M-2009 TOLERANCES UNLESS OTHERWISE SPECIFIED DIMENSIONS ARE IN MILLIMETERS | |
| MECH. ENG. | TP CHEE | 8 MAY 13 | | SIZE | DWG. NO. |
| MFG./OPS. | | | | A3 | UTRA4301S3NMO |
| | | | | SCALE: 1:2 | PREVIOUS# |
| | | | | REV F01 | |
| | | | | SHEET 1 OF 1 | |

THIS DRAWING IS UNPUBLISHED.

RELEASED FOR PUBLICATION

© Copyright 2022 TE Connectivity Ltd.

ALL RIGHTS RESERVED.