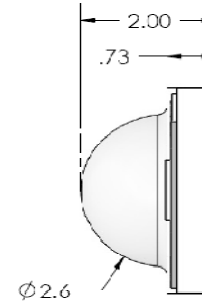
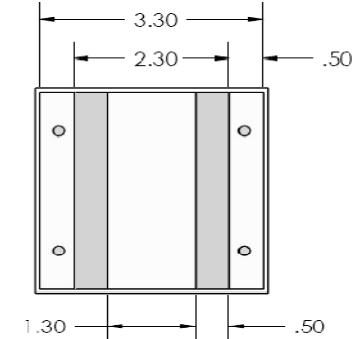


Top View



Side View



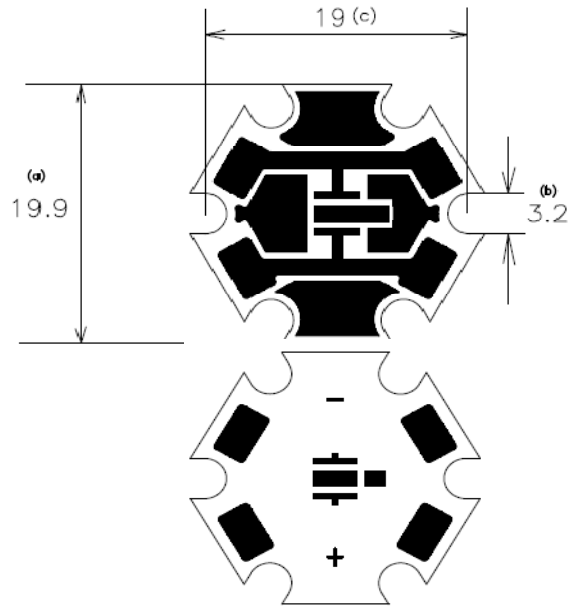
Bottom View

LBB2 MCPCB

White mask Gold letter

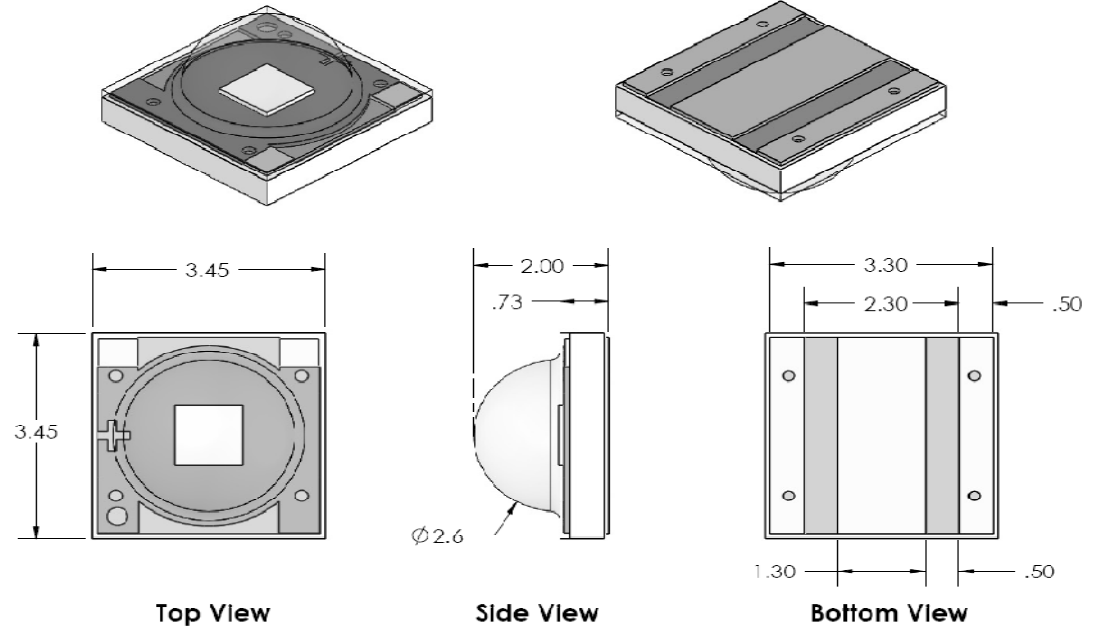
XPC / XPE / XPG XLamp

PART NO.	BRD	BRD Drawing NO.	BRD Thickness	LED Color	LED Color bins	LED Flux Code	LED Lumen (min.)	LED VF (typ.)	LED Viewing Angle
XPCWHT-L1-0000-00902-LBB2	10mm	0194196A	2mm	Cool White	WC, WD, WG, WF	P4	80.6lm	3.4V	110deg
XPCWHT-L1-0000-008E4-LBB2	10mm	0194196A	2mm	Neutral White	4A, 4B, 4C, 4D	P3	73.9lm	3.4V	110deg
XPCWHT-L1-0000-008E7-LBB2	10mm	0194196A	2mm	Warm White	7A, 7B, 7C, 7D	P3	73.9lm	3.4V	110deg
XPERED-L1-0000-00301-LBB2	10mm	0194196A	2mm	RED	R2, R3	M3	45.7lm	2.1V	130deg
XPEAMB-L1-0000-00301-LBB2	10mm	0194196A	2mm	Amber	A2, A3	M3	45.7lm	2.1V	130deg
XPEGRN-L1-0000-00901-LBB2	10mm	0194196A	2mm	Green	G2, G3, G4	P4	80.6lm	3.4V	130deg
XPEBLU-L1-0000-00Y02-LBB2	10mm	0194196A	2mm	Blue	B3, B4, B5	K2	30.6lm	3.2V	130deg
XPEWHT-L1-0000-00902-LBB2	10mm	0194196A	2mm	Cool White	WC, WD, WG, WF	P4	80.6lm	3.2V	115deg
XPEWHT-L1-0000-00C02-LBB2	10mm	0194196A	2mm	Cool White	WC, WD, WG, WF	Q4	100lm	3.2V	115deg
XPEWHT-L1-0000-00D02-LBB2	10mm	0194196A	2mm	Cool White	WC, WD, WG, WF	Q5	107lm	3.2V	115deg
XPEWHT-L1-0000-00E02-LBB2	10mm	0194196A	2mm	Cool White	WC, WD, WG, WF	R2	114lm	3.2V	115deg
XPEWHT-L1-0000-009E5-LBB2	10mm	0194196A	2mm	Neutral White	5A, 5B, 5C, 5D	P4	80.6lm	3.2V	115deg
XPEWHT-L1-0000-009E6-LBB2	10mm	0194196A	2mm	Warm White	6A, 6B, 6C, 6D	P4	80.6lm	3.2V	115deg
XPEWHT-L1-0000-009E7-LBB2	10mm	0194196A	2mm	Warm White	7A, 7B, 7C, 7D	P4	80.6lm	3.2V	115deg
XPGWHT-L1-0000-00F51-LBB2	10mm	0194196A	2mm	Cool White	0A~0D, 0R~0U, 1A~1D, 1R~1U, 2A~2D, 2R~2U, 3A, 3B, 3R, 3S	R3	122lm	3.0V	115deg
XPGWHT-L1-0000-00G51-LBB2	10mm	0194196A	2mm	Cool White	0A~0D, 0R~0U, 1A~1D, 1R~1U, 2A~2D, 2R~2U, 3A, 3B, 3R, 3S	R4	130lm	3.0V	115deg
XPGWHT-L1-0000-00H51-LBB2	10mm	0194196A	2mm	Cool White	0A~0D, 0R~0U, 1A~1D, 1R~1U, 2A~2D, 2R~2U, 3A, 3B, 3R, 3S	R5	139lm	3.0V	115deg



STAR MCPCB

White mask Gold letter



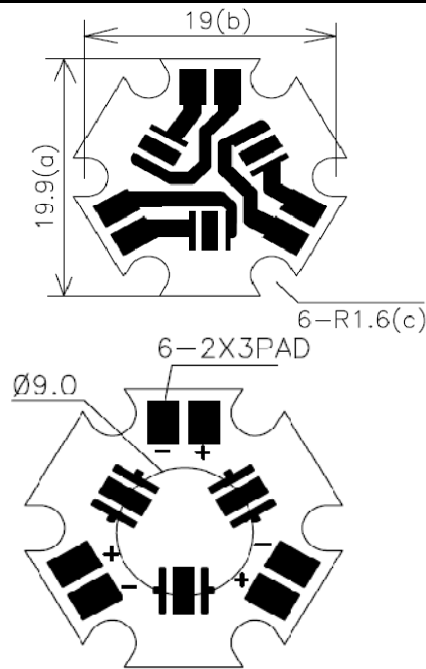
Top View

Side View

Bottom View

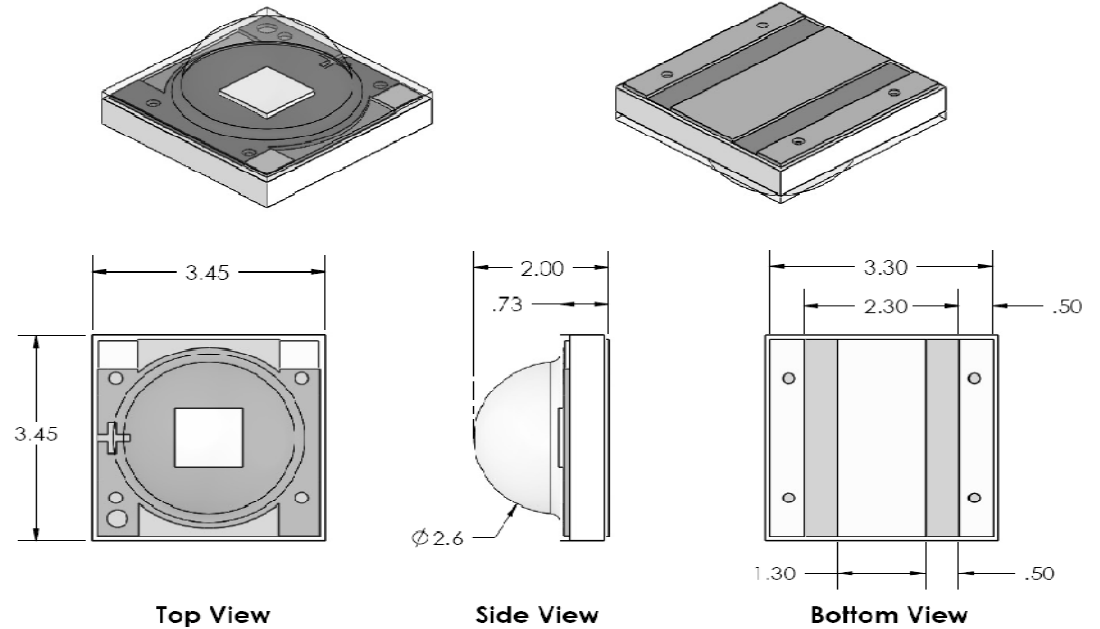
XPC / XPE / XPG XLamp

PART NO.	BRD	BRD Drawing NO.	BRD Thickness	LED Color	LED Color bins	LED Flux Code	LED Lumen (min.)	LED VF (typ.)	LED Viewing Angle
XPCWHT-L1-0000-00902-STAR	Star	0194135B	2mm	Cool White	WC, WD, WG, WF	P4	80.6lm	3.4V	110deg
XPCWHT-L1-0000-008E4-STAR	Star	0194135B	2mm	Neutral White	4A, 4B, 4C, 4D	P3	73.9lm	3.4V	110deg
XPCWHT-L1-0000-008E7-STAR	Star	0194135B	2mm	Warm White	7A, 7B, 7C, 7D	P3	73.9lm	3.4V	110deg
XPERED-L1-0000-00301-STAR	Star	0194135B	2mm	RED	R2, R3	M3	45.7lm	2.1V	130deg
XPEAMB-L1-0000-00301-STAR	Star	0194135B	2mm	Amber	A2, A3	M3	45.7lm	2.1V	130deg
XPEGRN-L1-0000-00901-STAR	Star	0194135B	2mm	Green	G2, G3, G4	P4	80.6lm	3.4V	130deg
XPEBLU-L1-0000-00Y02-STAR	Star	0194135B	2mm	Blue	B3, B4, B5	K2	30.6lm	3.2V	130deg
XPEWHT-L1-0000-00902-STAR	Star	0194135B	2mm	Cool White	WC, WD, WG, WF	P4	80.6lm	3.2V	115deg
XPEWHT-L1-0000-00C02-STAR	Star	0194135B	2mm	Cool White	WC, WD, WG, WF	Q4	100lm	3.2V	115deg
XPEWHT-L1-0000-00D02-STAR	Star	0194135B	2mm	Cool White	WC, WD, WG, WF	Q5	107lm	3.2V	115deg
XPEWHT-L1-0000-00E02-STAR	Star	0194135B	2mm	Cool White	WC, WD, WG, WF	R2	114lm	3.2V	115deg
XPEWHT-L1-0000-009E5-STAR	Star	0194135B	2mm	Neutral White	5A, 5B, 5C, 5D	P4	80.6lm	3.2V	115deg
XPEWHT-L1-0000-009E6-STAR	Star	0194135B	2mm	Warm White	6A, 6B, 6C, 6D	P4	80.6lm	3.2V	115deg
XPEWHT-L1-0000-009E7-STAR	Star	0194135B	2mm	Warm White	7A, 7B, 7C, 7D	P4	80.6lm	3.2V	115deg
XPGWHT-L1-0000-00F51-STAR	Star	0194135B	2mm	Cool White	0A~0D, 0R~0U, 1A~1D, 1R~1U, 2A~2D, 2R~2U, 3A, 3B, 3R, 3S	R3	122lm	3.0V	115deg
XPGWHT-L1-0000-00G51-STAR	Star	0194135B	2mm	Cool White	0A~0D, 0R~0U, 1A~1D, 1R~1U, 2A~2D, 2R~2U, 3A, 3B, 3R, 3S	R4	130lm	3.0V	115deg
XPGWHT-L1-0000-00H51-STAR	Star	0194135B	2mm	Cool White	0A~0D, 0R~0U, 1A~1D, 1R~1U, 2A~2D, 2R~2U, 3A, 3B, 3R, 3S	R5	139lm	3.0V	115deg



STAR 3LED MCPCB

White mask Gold letter



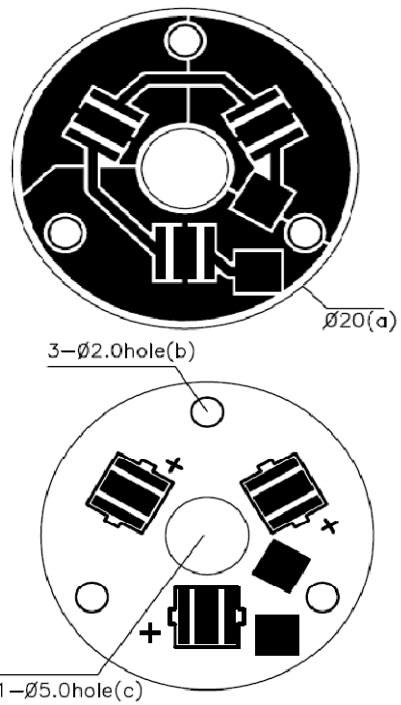
Top View

Side View

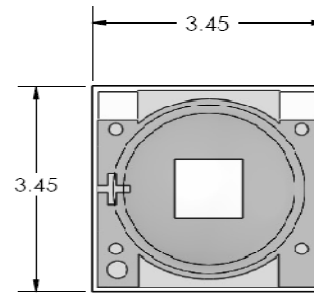
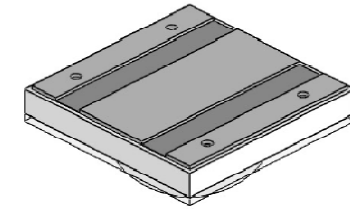
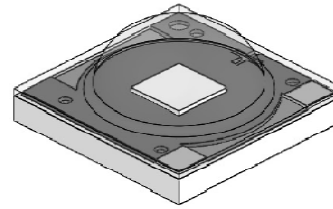
Bottom View

XPC / XPE / XPG XLamp

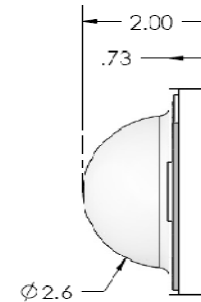
PART NO.	BRD	BRD Drawing NO.	BRD Thickness	LED Color	LED Color bins	each LED Flux Code	each LED Lumen (min.)	each LED VF (typ.) @350mA	each LED Viewing Angle
XPCWHT-L1-0000-00902-STAR-3LED	Star	0194195A	1.8mm	Cool White	WC, WD, WG, WF	P4	80.6lm	3.4V	110deg
XPCWHT-L1-0000-008E4-STAR-3LED	Star	0194195A	1.8mm	Neutral White	4A, 4B, 4C, 4D	P3	73.9lm	3.4V	110deg
XPCWHT-L1-0000-008E7-STAR-3LED	Star	0194195A	1.8mm	Warm White	7A, 7B, 7C, 7D	P3	73.9lm	3.4V	110deg
XPERED-L1-0000-00301-STAR-3LED	Star	0194195A	1.8mm	RED	R2, R3	M3	45.7lm	2.1V	130deg
XPEAMB-L1-0000-00301-STAR-3LED	Star	0194195A	1.8mm	Amber	A2, A3	M3	45.7lm	2.1V	130deg
XPEGRN-L1-0000-00901-STAR-3LED	Star	0194195A	1.8mm	Green	G2, G3, G4	P4	80.6lm	3.4V	130deg
XPEBLU-L1-0000-00Y02-STAR-3LED	Star	0194195A	1.8mm	Blue	B3, B4, B5	K2	30.6lm	3.2V	130deg
XPEWHT-L1-0000-00902-STAR-3LED	Star	0194195A	1.8mm	Cool White	WC, WD, WG, WF	P4	80.6lm	3.2V	115deg
XPEWHT-L1-0000-00C02-STAR-3LED	Star	0194195A	1.8mm	Cool White	WC, WD, WG, WF	Q4	100lm	3.2V	115deg
XPEWHT-L1-0000-00D02-STAR-3LED	Star	0194195A	1.8mm	Cool White	WC, WD, WG, WF	Q5	107lm	3.2V	115deg
XPEWHT-L1-0000-00E02-STAR-3LED	Star	0194195A	1.8mm	Cool White	WC, WD, WG, WF	R2	114lm	3.2V	115deg
XPEWHT-L1-0000-009E5-STAR-3LED	Star	0194195A	1.8mm	Neutral White	5A, 5B, 5C, 5D	P4	80.6lm	3.2V	115deg
XPEWHT-L1-0000-009E6-STAR-3LED	Star	0194195A	1.8mm	Warm White	6A, 6B, 6C, 6D	P4	80.6lm	3.2V	115deg
XPEWHT-L1-0000-009E7-STAR-3LED	Star	0194195A	1.8mm	Warm White	7A, 7B, 7C, 7D	P4	80.6lm	3.2V	115deg
XPGWHT-L1-0000-00F51-STAR-3LED	Star	0194195A	1.8mm	Cool White	0A~0D, 0R~0U, 1A~1D, 1R~1U, 2A~2D, 2R~2U, 3A, 3B, 3R, 3S	R3	122lm	3.0V	115deg
XPGWHT-L1-0000-00G51-STAR-3LED	Star	0194195A	1.8mm	Cool White	0A~0D, 0R~0U, 1A~1D, 1R~1U, 2A~2D, 2R~2U, 3A, 3B, 3R, 3S	R4	130lm	3.0V	115deg
XPGWHT-L1-0000-00H51-STAR-3LED	Star	0194195A	1.8mm	Cool White	0A~0D, 0R~0U, 1A~1D, 1R~1U, 2A~2D, 2R~2U, 3A, 3B, 3R, 3S	R5	139lm	3.0V	115deg



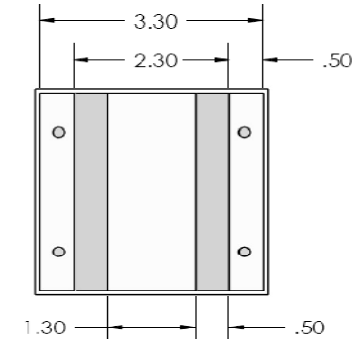
Round 3LED MCPCB
White mask Black letter



Top View



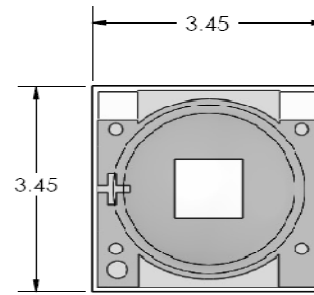
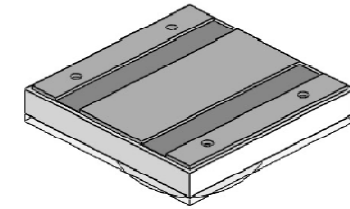
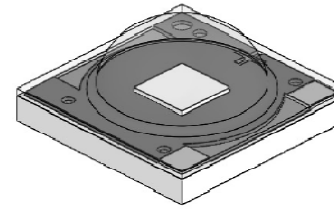
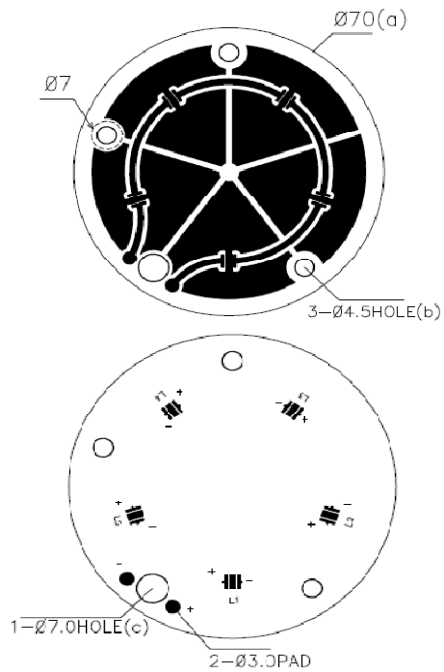
Side View



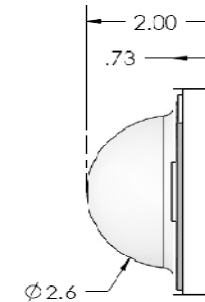
Bottom View

XPC / XPE / XPG XLamp

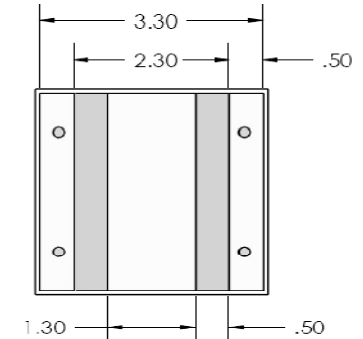
PART NO.	BRD	BRD Drawing NO.	BRD Thickness	LED Color	LED Color bins	each LED Flux Code	each LED Lumen (min.)	each LED VF (typ.) @350mA	each LED Viewing Angle
XPCWHT-L1-0000-00902-RND-3LED	Round	0194238A	1.5mm	Cool White	WC, WD, WG, WF	P4	80.6lm	3.4V	110deg
XPCWHT-L1-0000-008E4-RND-3LED	Round	0194238A	1.5mm	Neutral White	4A, 4B, 4C, 4D	P3	73.9lm	3.4V	110deg
XPCWHT-L1-0000-008E7-RND-3LED	Round	0194238A	1.5mm	Warm White	7A, 7B, 7C, 7D	P3	73.9lm	3.4V	110deg
XPERED-L1-0000-00301-RND-3LED	Round	0194238A	1.5mm	RED	R2, R3	M3	45.7lm	2.1V	130deg
XPEAMB-L1-0000-00301-RND-3LED	Round	0194238A	1.5mm	Amber	A2, A3	M3	45.7lm	2.1V	130deg
XPEGRN-L1-0000-00901-RND-3LED	Round	0194238A	1.5mm	Green	G2, G3, G4	P4	80.6lm	3.4V	130deg
XPEBLU-L1-0000-00Y02-RND-3LED	Round	0194238A	1.5mm	Blue	B3, B4, B5	K2	30.6lm	3.2V	130deg
XPEWHT-L1-0000-00902-RND-3LED	Round	0194238A	1.5mm	Cool White	WC, WD, WG, WF	P4	80.6lm	3.2V	115deg
XPEWHT-L1-0000-00C02-RND-3LED	Round	0194238A	1.5mm	Cool White	WC, WD, WG, WF	Q4	100lm	3.2V	115deg
XPEWHT-L1-0000-00D02-RND-3LED	Round	0194238A	1.5mm	Cool White	WC, WD, WG, WF	Q5	107lm	3.2V	115deg
XPEWHT-L1-0000-00E02-RND-3LED	Round	0194238A	1.5mm	Cool White	WC, WD, WG, WF	R2	114lm	3.2V	115deg
XPEWHT-L1-0000-009E5-RND-3LED	Round	0194238A	1.5mm	Neutral White	5A, 5B, 5C, 5D	P4	80.6lm	3.2V	115deg
XPEWHT-L1-0000-009E6-RND-3LED	Round	0194238A	1.5mm	Warm White	6A, 6B, 6C, 6D	P4	80.6lm	3.2V	115deg
XPEWHT-L1-0000-009E7-RND-3LED	Round	0194238A	1.5mm	Warm White	7A, 7B, 7C, 7D	P4	80.6lm	3.2V	115deg
XPGWHT-L1-0000-00F51-RND-3LED	Round	0194238A	1.5mm	Cool White	0A~0D, 0R~0U, 1A~1D, 1R~1U, 2A~2D, 2R~2U, 3A, 3B, 3R, 3S	R3	122lm	3.0V	115deg
XPGWHT-L1-0000-00G51-RND-3LED	Round	0194238A	1.5mm	Cool White	0A~0D, 0R~0U, 1A~1D, 1R~1U, 2A~2D, 2R~2U, 3A, 3B, 3R, 3S	R4	130lm	3.0V	115deg
XPGWHT-L1-0000-00H51-RND-3LED	Round	0194238A	1.5mm	Cool White	0A~0D, 0R~0U, 1A~1D, 1R~1U, 2A~2D, 2R~2U, 3A, 3B, 3R, 3S	R5	139lm	3.0V	115deg



Top View



Side View

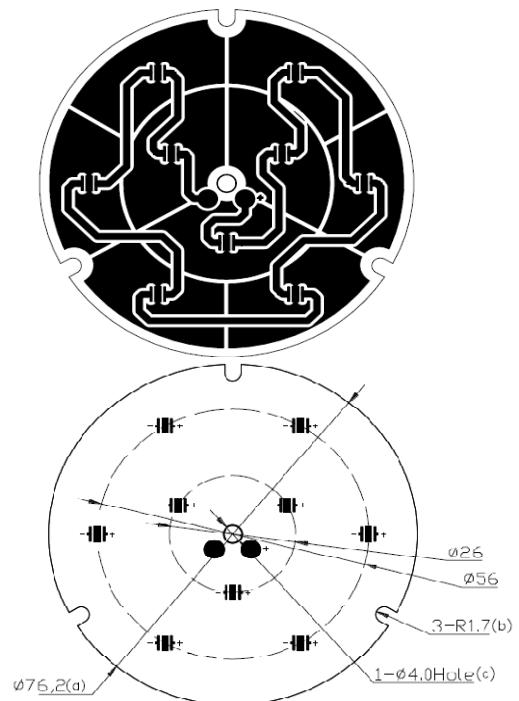


Bottom View

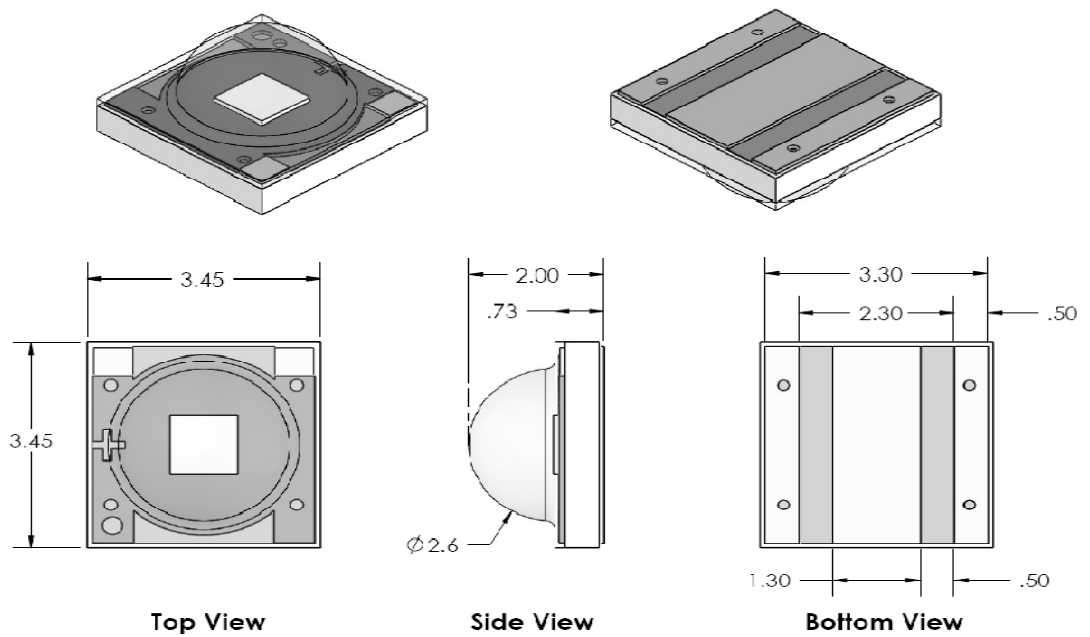
Round 5LED MCPCB
White mask Gold letter

XPC / XPE / XPG XLamp

PART NO.	BRD	BRD Drawing NO.	BRD Thickness	LED Color	LED Color bins	each LED Flux Code	each LED Lumen (min.)	each LED VF (typ.) @350mA	each LED Viewing Angle
XPCWHT-L1-0000-00902-RND-5LED	Round	0194213A	2mm	Cool White	WC, WD, WG, WF	P4	80.6lm	3.4V	110deg
XPCWHT-L1-0000-008E4-RND-5LED	Round	0194213A	2mm	Neutral White	4A, 4B, 4C, 4D	P3	73.9lm	3.4V	110deg
XPCWHT-L1-0000-008E7-RND-5LED	Round	0194213A	2mm	Warm White	7A, 7B, 7C, 7D	P3	73.9lm	3.4V	110deg
XPERED-L1-0000-00301-RND-5LED	Round	0194213A	2mm	RED	R2, R3	M3	45.7lm	2.1V	130deg
XPEAMB-L1-0000-00301-RND-5LED	Round	0194213A	2mm	Amber	A2, A3	M3	45.7lm	2.1V	130deg
XPEGRN-L1-0000-00901-RND-5LED	Round	0194213A	2mm	Green	G2, G3, G4	P4	80.6lm	3.4V	130deg
XPEBLU-L1-0000-00Y02-RND-5LED	Round	0194213A	2mm	Blue	B3, B4, B5	K2	30.6lm	3.2V	130deg
XPCWHT-L1-0000-00902-RND-5LED	Round	0194213A	2mm	Cool White	WC, WD, WG, WF	P4	80.6lm	3.2V	115deg
XPEWHT-L1-0000-00C02-RND-5LED	Round	0194213A	2mm	Cool White	WC, WD, WG, WF	Q4	100lm	3.2V	115deg
XPEWHT-L1-0000-00D02-RND-5LED	Round	0194213A	2mm	Cool White	WC, WD, WG, WF	Q5	107lm	3.2V	115deg
XPEWHT-L1-0000-00E02-RND-5LED	Round	0194213A	2mm	Cool White	WC, WD, WG, WF	R2	114lm	3.2V	115deg
XPEWHT-L1-0000-009E5-RND-5LED	Round	0194213A	2mm	Neutral White	5A, 5B, 5C, 5D	P4	80.6lm	3.2V	115deg
XPEWHT-L1-0000-009E6-RND-5LED	Round	0194213A	2mm	Warm White	6A, 6B, 6C, 6D	P4	80.6lm	3.2V	115deg
XPEWHT-L1-0000-009E7-RND-5LED	Round	0194213A	2mm	Warm White	7A, 7B, 7C, 7D	P4	80.6lm	3.2V	115deg
XPGWHT-L1-0000-00F51-RND-5LED	Round	0194213A	2mm	Cool White	0A~0D, 0R~0U, 1A~1D, 1R~1U, 2A~2D, 2R~2U, 3A, 3B, 3R, 3S	R3	122lm	3.0V	115deg
XPGWHT-L1-0000-00G51-RND-5LED	Round	0194213A	2mm	Cool White	0A~0D, 0R~0U, 1A~1D, 1R~1U, 2A~2D, 2R~2U, 3A, 3B, 3R, 3S	R4	130lm	3.0V	115deg
XPGWHT-L1-0000-00H51-RND-5LED	Round	0194213A	2mm	Cool White	0A~0D, 0R~0U, 1A~1D, 1R~1U, 2A~2D, 2R~2U, 3A, 3B, 3R, 3S	R5	139lm	3.0V	115deg



Round 9LED MCPCB
Black mask Gold letter



XPC / XPE / XPG XLamp

PART NO.	BRD	BRD Drawing NO.	BRD Thickness	LED Color	LED Color bins	each LED Flux Code	each LED Lumen (min.)	each LED VF (typ.) @350mA	each LED Viewing Angle
XPCWHT-L1-0000-00902-RND-9LED	Round	0194244A	2mm	Cool White	WC, WD, WG, WF	P4	80.6lm	3.4V	110deg
XPCWHT-L1-0000-008E4-RND-9LED	Round	0194244A	2mm	Neutral White	4A, 4B, 4C, 4D	P3	73.9lm	3.4V	110deg
XPCWHT-L1-0000-008E7-RND-9LED	Round	0194244A	2mm	Warm White	7A, 7B, 7C, 7D	P3	73.9lm	3.4V	110deg
XPERED-L1-0000-00301-RND-9LED	Round	0194244A	2mm	RED	R2, R3	M3	45.7lm	2.1V	130deg
XPEAMB-L1-0000-00301-RND-9LED	Round	0194244A	2mm	Amber	A2, A3	M3	45.7lm	2.1V	130deg
XPEGRN-L1-0000-00901-RND-9LED	Round	0194244A	2mm	Green	G2, G3, G4	P4	80.6lm	3.4V	130deg
XPEBLU-L1-0000-00Y02-RND-9LED	Round	0194244A	2mm	Blue	B3, B4, B5	K2	30.6lm	3.2V	130deg
XPCWHT-L1-0000-00902-RND-9LED	Round	0194244A	2mm	Cool White	WC, WD, WG, WF	P4	80.6lm	3.2V	115deg
XPEWHT-L1-0000-00C02-RND-9LED	Round	0194244A	2mm	Cool White	WC, WD, WG, WF	Q4	100lm	3.2V	115deg
XPEWHT-L1-0000-00D02-RND-9LED	Round	0194244A	2mm	Cool White	WC, WD, WG, WF	Q5	107lm	3.2V	115deg
XPEWHT-L1-0000-00E02-RND-9LED	Round	0194244A	2mm	Cool White	WC, WD, WG, WF	R2	114lm	3.2V	115deg
XPEWHT-L1-0000-009E5-RND-9LED	Round	0194244A	2mm	Neutral White	5A, 5B, 5C, 5D	P4	80.6lm	3.2V	115deg
XPEWHT-L1-0000-009E6-RND-9LED	Round	0194244A	2mm	Warm White	6A, 6B, 6C, 6D	P4	80.6lm	3.2V	115deg
XPEWHT-L1-0000-009E7-RND-9LED	Round	0194244A	2mm	Warm White	7A, 7B, 7C, 7D	P4	80.6lm	3.2V	115deg
XPGWHT-L1-0000-00F51-RND-9LED	Round	0194244A	2mm	Cool White	0A~0D, 0R~0U, 1A~1D, 1R~1U, 2A~2D, 2R~2U, 3A, 3B, 3R, 3S	R3	122lm	3.0V	115deg
XPGWHT-L1-0000-00G51-RND-9LED	Round	0194244A	2mm	Cool White	0A~0D, 0R~0U, 1A~1D, 1R~1U, 2A~2D, 2R~2U, 3A, 3B, 3R, 3S	R4	130lm	3.0V	115deg
XPGWHT-L1-0000-00H51-RND-9LED	Round	0194244A	2mm	Cool White	0A~0D, 0R~0U, 1A~1D, 1R~1U, 2A~2D, 2R~2U, 3A, 3B, 3R, 3S	R5	139lm	3.0V	115deg